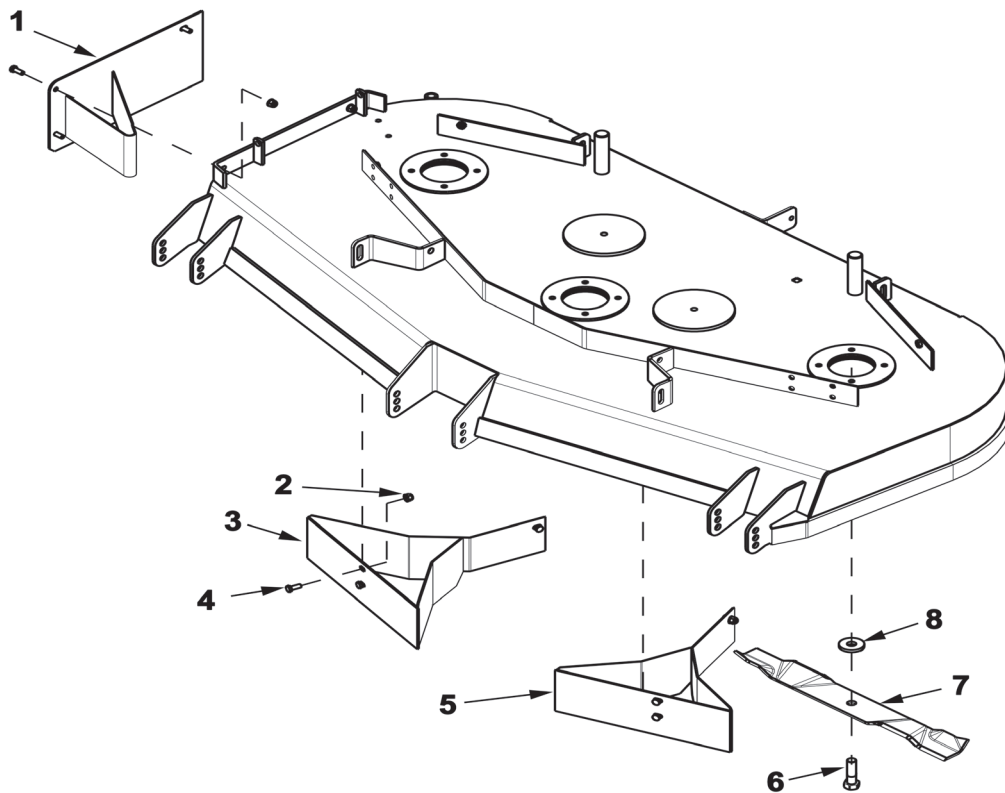


INSTRUCTIONS: FOR INSTALLING A MULCH KIT IN A 60" DECK

1. REMOVE THE BIRDWING BAFFLE FROM THE DECK.
2. INSTALL THE LEFT AND RIGHT BAFFLES PROVIDED IN THE KIT (4 & 5). EACH BAFFLE GETS BOLTED 3 TIMES
3. ON EACH SPINDLE REMOVE STANDARD BLADES AND FASTNERS, AND INSTALL MULCH BLADE (7) AND EXISTING SPRING WASHER, NEW BOLT (6), BLADE SPACER (8) AND TORQUE TO 50-60 FT-LBS.
4. REMOVE DISCHARGE CHUTE AND INSTALL BLOCK PLATE (1) WITH INCLUDED HARDWARE.



| ITEM | PART NUMBER | DESCRIPTION |
|------|-------------|----------------------------------------|
| 1 | 542089-2 | WLD, BLOCK PLATE 60 - RED |
| 2 | B6183-8 | NUT, FLANGED NYLOC M8 |
| 3 | 542088-2 | WLD, MULCH 60 RH - RED |
| 4 | B5783-820 | SCREW, HH TAP M8x20 |
| 5 | 542087-2 | WLD, MULCH 60 LH - RED |
| 6 | 100358 | 5/8-11 X 2-1/4 HHCS |
| 7 | 633340 | BLADE, 20.5" MULCH |
| 8 | 363382 | BLADE SPACER .250 X Ø1.75 PLATED [.63] |