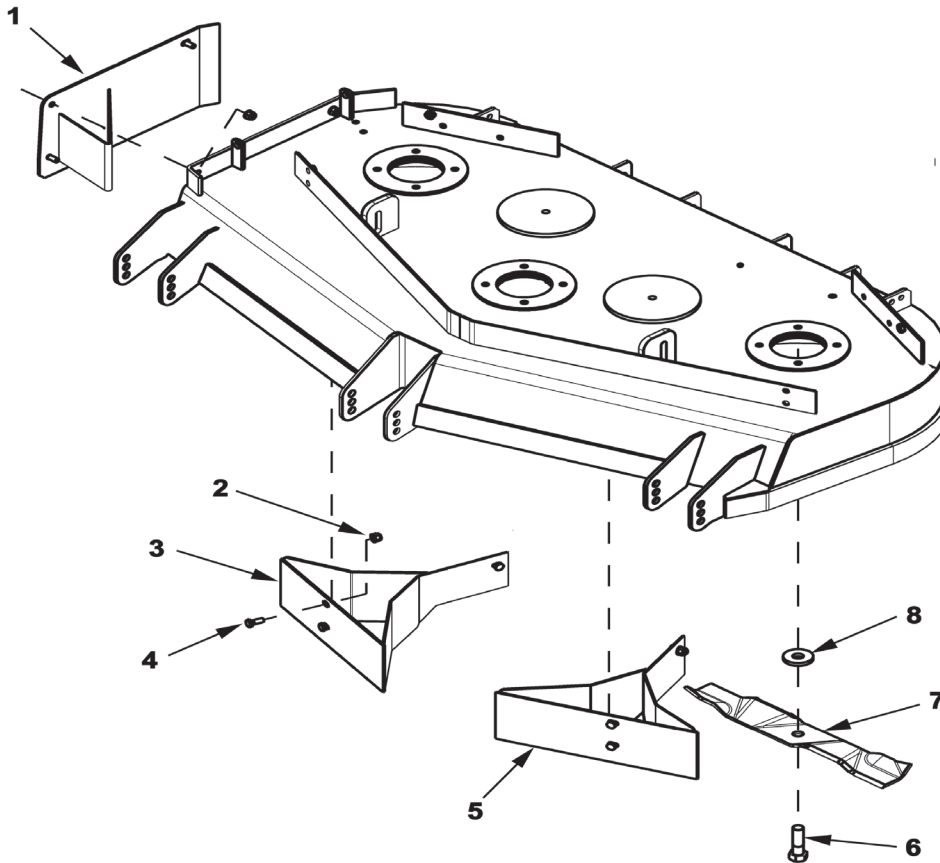


INSTRUCTIONS: FOR INSTALLING A MULCH KIT IN A 48" DECK

1. REMOVE THE BIRDWING BAFFLE FROM THE DECK.
2. INSTALL THE LEFT AND RIGHT BAFFLES PROVIDED IN THE KIT (4 & 5). EACH BAFFLE GETS BOLTED 3 TIMES
3. ON EACH SPINDLE REMOVE STANDARD BLADES AND FASTNERS, AND INSTALL BLADE SPACER (8) MULCH BLADE (7) AND EXISTING SPRING WASHER AND NEW BOLT (6) AND TORQUE TO 50-60 FT-LBS.
4. REMOVE DISCHARGE CHUTE AND INSTALL BLOCK PLATE (1) WITH INCLUDED HARDWARE.



ITEM	PART NUMBER	DESCRIPTION
1	542083-2	WLD, BLOCK PLATE 48 - RED
2	B6183-8	NUT, FLANGED NYLOC M8
3	542082-2	WLD, MULCH 48 RH - RED
4	B5783-820	SCREW, HH TAP M8x20
5	542068-2	WLD, MULCH 48 LH - RED
6	100358	5/8-11 X 2-1/4 HHCS
7	483049	16.25 MULCHER (WAVY)
8	363382	BLADE SPACER .250 X Ø1.75 PLATED [.63]