



PROWLER

EP60MX800EV5
EP60FX921V5

EP72BSV37EV5
EP72MX825EV5
EP72FX1000V5

EP72BSV37EV5RD
EP72MX825EV5RD
EP72FX1000V5RD

PARTS MANUAL



WWW.ENCOREEQUIPMENT.COM

401 COMMERCE STREET

BEATRICE, NE 68310

800-267-4255

FAX – 402-223-4103

Contents

AVAILABLE ACCESSORIES.....	5
60" FRONT AXLE ASSEMBLY.....	6
72" FRONT AXLE ASSEMBLY.....	8
FRAME ASSEMBLY.....	10
FRAME ASSEMBLY – B&S.....	12
MOTION CONTROL ASSEMBLY.....	14
SUSPENSION SEAT ASSEMBLY.....	16
60" DRIVE TIRE ASSEMBLY.....	18
72" DRIVE TIRE ASSEMBLY.....	19
60" DECK LIFT ASSEMBLY.....	20
60" DECK ASSEMBLY.....	23
72" DECK LIFT ASSEMBLY.....	25
72" DECK ASSEMBLY.....	28
72" RD DECK LIFT ASSEMBLY.....	31
72" RD DECK ASSEMBLY.....	34
SPINDLE HOUSING ASSEMBLY.....	37
DECK IDLER 127MM.....	38
DECK IDLER ASSEMBLY.....	39
KEY SLOT DECK IDLER ASSEMBLY.....	41
DECK IDLER 150MM.....	43
DECK IDLER 175MM.....	44
6" PULLEY ASSEMBLY.....	45
IDLER ARM ASSEMBLY.....	46
ENGINE ASSEMBLY MX800 / MX825.....	47
ENGINE ASSEMBLY FX921 / FX1000.....	49
ENGINE ASSEMBLY B&S 37.....	51
FUEL ASSEMBLY - KAWASAKI.....	53
CONTROL PANEL ASSEMBLY - KAWASAKI.....	55
FUEL ASSEMBLY – YAMAHA EFI.....	56
FUEL ASSEMBLY – B&S EFI.....	58
CONTROL PANEL ASSEMBLY – B&S/YAMAHA EFI.....	60
HYDRO ASSEMBLY.....	61
ROPS ASSEMBLY.....	63
HARNESS/BATTERY ASSEMBLY.....	64
WIRING HARNESS.....	66
DECAL ASSEMBLY.....	68

AVAILABLE ACCESSORIES

FITS MODELS:

**EP60MX800EV5
EP60FX921V5**

MULCH KIT:

541006

60" MULCH KIT

FITS MODELS:

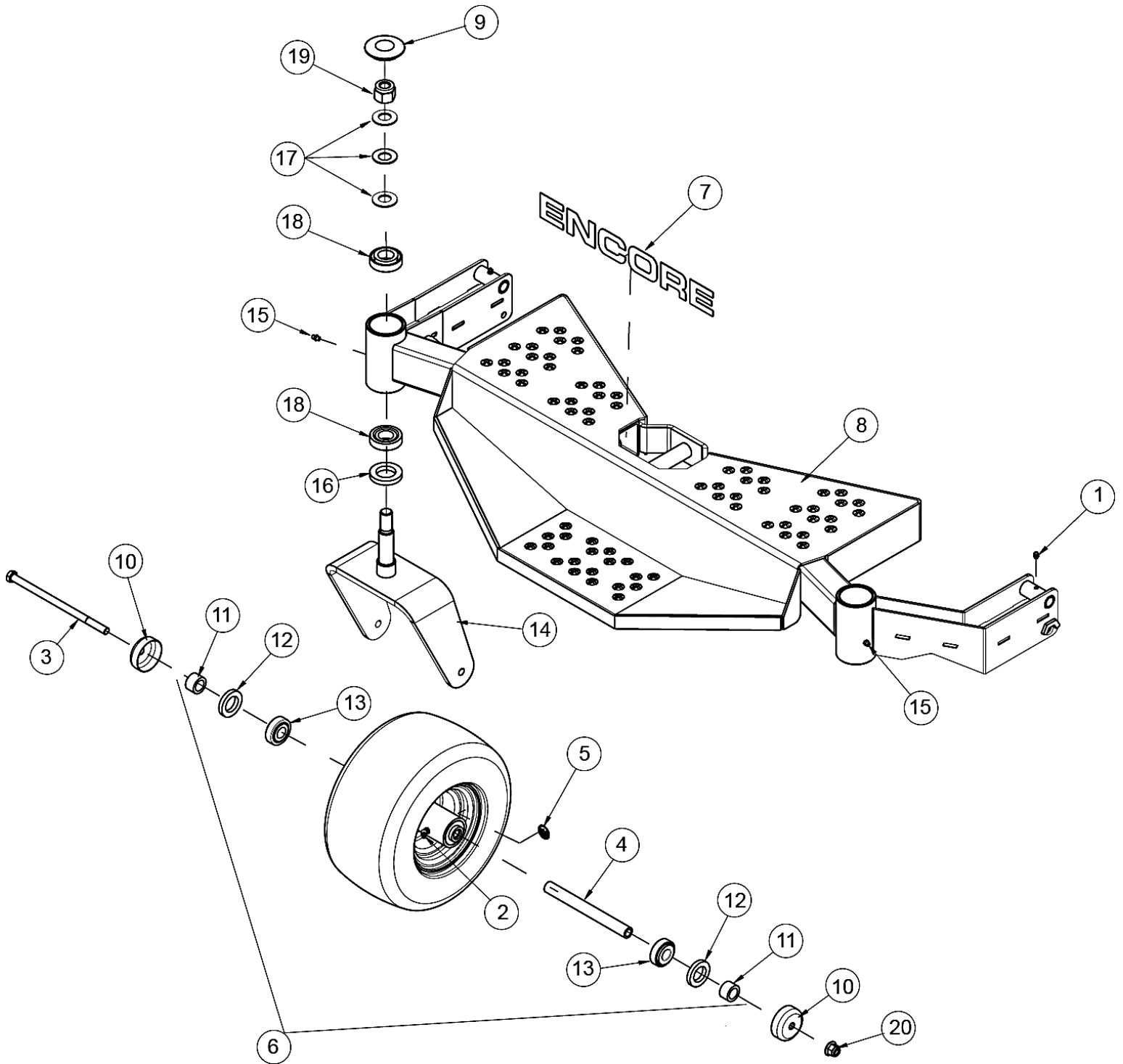
**EP72BSV37EV5
EP72FX1000V5
EP72MX825EV5**

MULCH KIT

681010

72" MULCH KIT

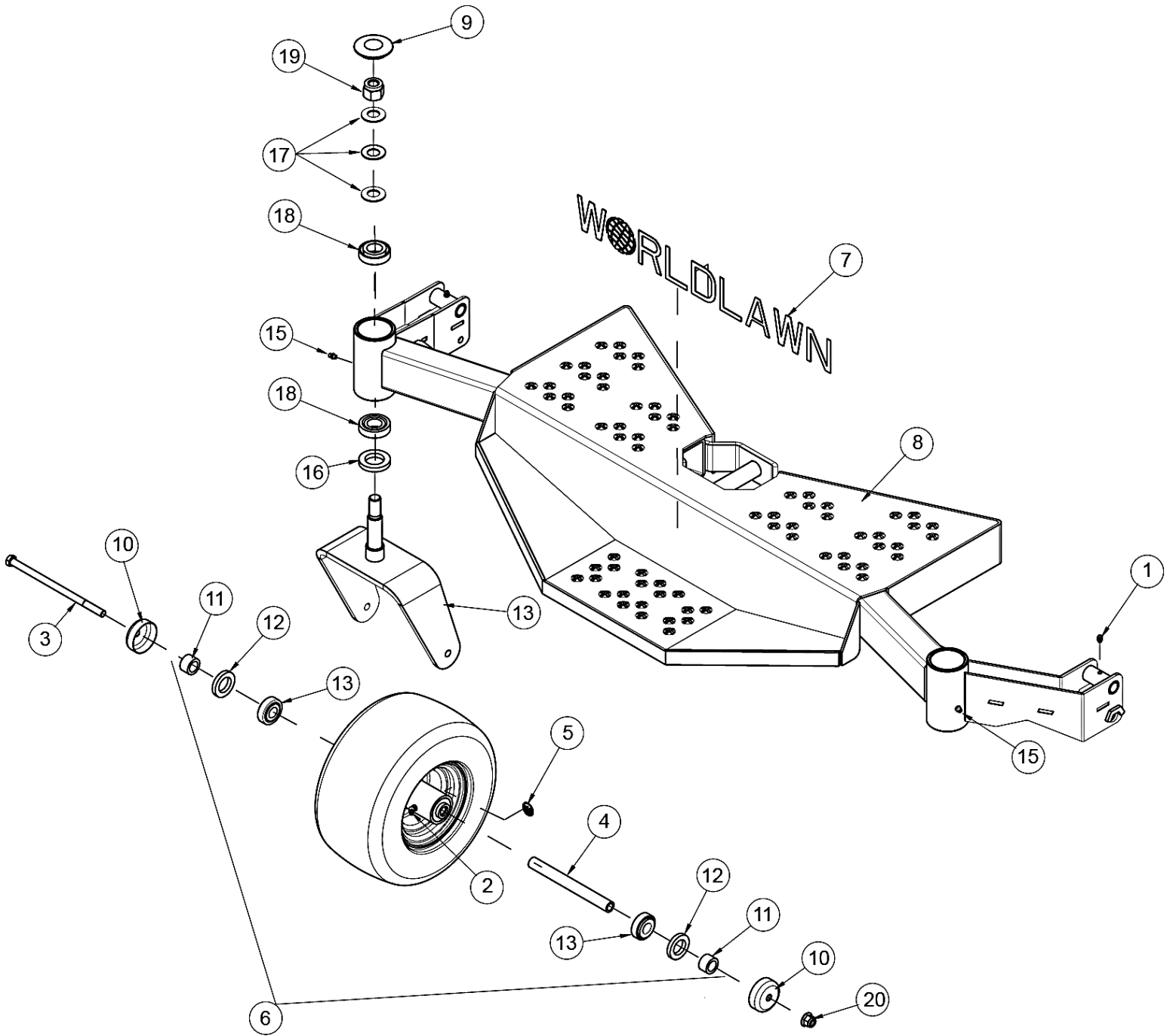
60" FRONT AXLE ASSEMBLY



60" FRONT AXLE ASSEMBLY

ITEM	PART NO.	DESCRIPTION
1	111004	1/4-28 ZERK
2	111009	ZERK, 45° 1/4-28
3	543189	BOLT, M12 X 225 MM
4	543230	TUBE, AXLE
5	453389	DECAL, FRONT TIRE PRESSURE
6	542070	ASM, WHEEL COMPLETE 13 X 6.5-6 PNEUM-WHITE
7	543471	DECAL, ENCORE 21"
8	682060	ASM, BASIC 60 FRONT AXLE
9	5202009	DUST CAP
10	5202026	CAP, DUST
11	5202035	BUSHING
12	5202036	SEAL. LIP
13	5202037	BEARING, TAPERED ROLLER
14	542011-2	WLD, CASTER FORK 6.5, RED
15	B1152-6	GREASE FITTING M6
16	B13871-B32528	SEAL (F) 32X52X8
17	B1972-A40	WASHER, SPRING DISC A40
18	B297-30205	BEARING 30205
19	B6182-20	NUT, NYLOC M20
20	B6182-12	NUT, NYLOC M12

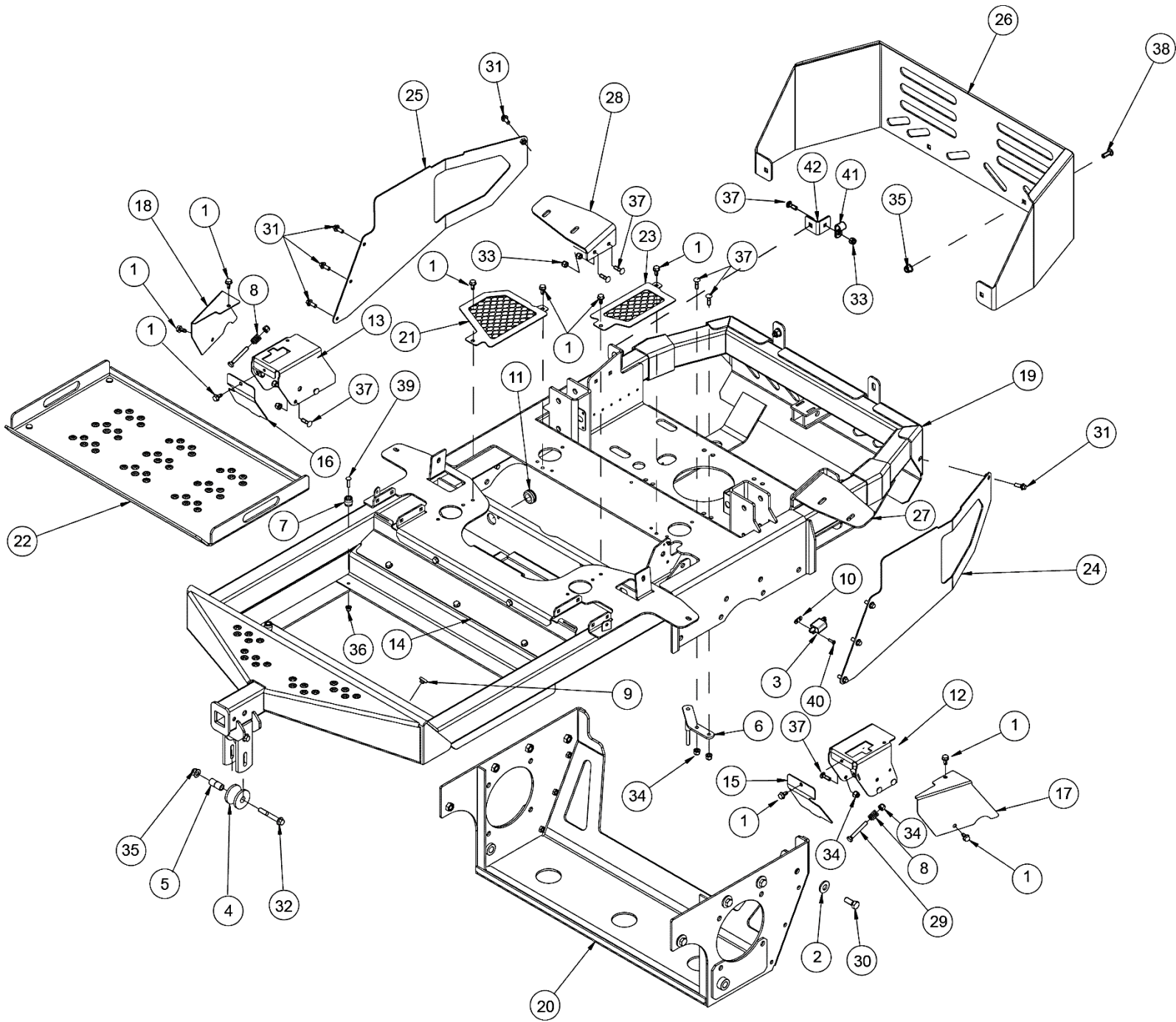
72" FRONT AXLE ASSEMBLY



72" FRONT AXLE ASSEMBLY

ITEM	PART NO.	DESCRIPTION
1	111004	1/4-28 ZERK
2	111009	ZERK, 45° 1/4-28
3	543189	BOLT, M12 X 225 MM
4	543230	TUBE, AXLE
5	453389	DECAL, FRONT TIRE PRESSURE
6	542070	ASM, WHEEL COMPLETE 13 X 6.5-6 PNEUM-WHITE
7	633236	DECAL, WORL DLAWN 21" W/GRN
8	682008	ASM, BASIC 72 FRONT AXLE
9	5202009	DUST CAP
10	5202026	CAP, DUST
11	5202035	BUSHING
12	5202036	SEAL. LIP
13	5202037	BEARING, TAPERED ROLLER
14	542011-2	WLD, CASTER FORK 6.5, RED
15	B1152-6	GREASE FITTING M6
16	B13871-B32528	SEAL (F) 32X52X8
17	B1972-A40	WASHER, SPRING DISC A40
18	B297-30205	BEARING 30205
19	B6182-20	NUT, NYLOC M20
20	B6182-12	NUT, NYLOC M12

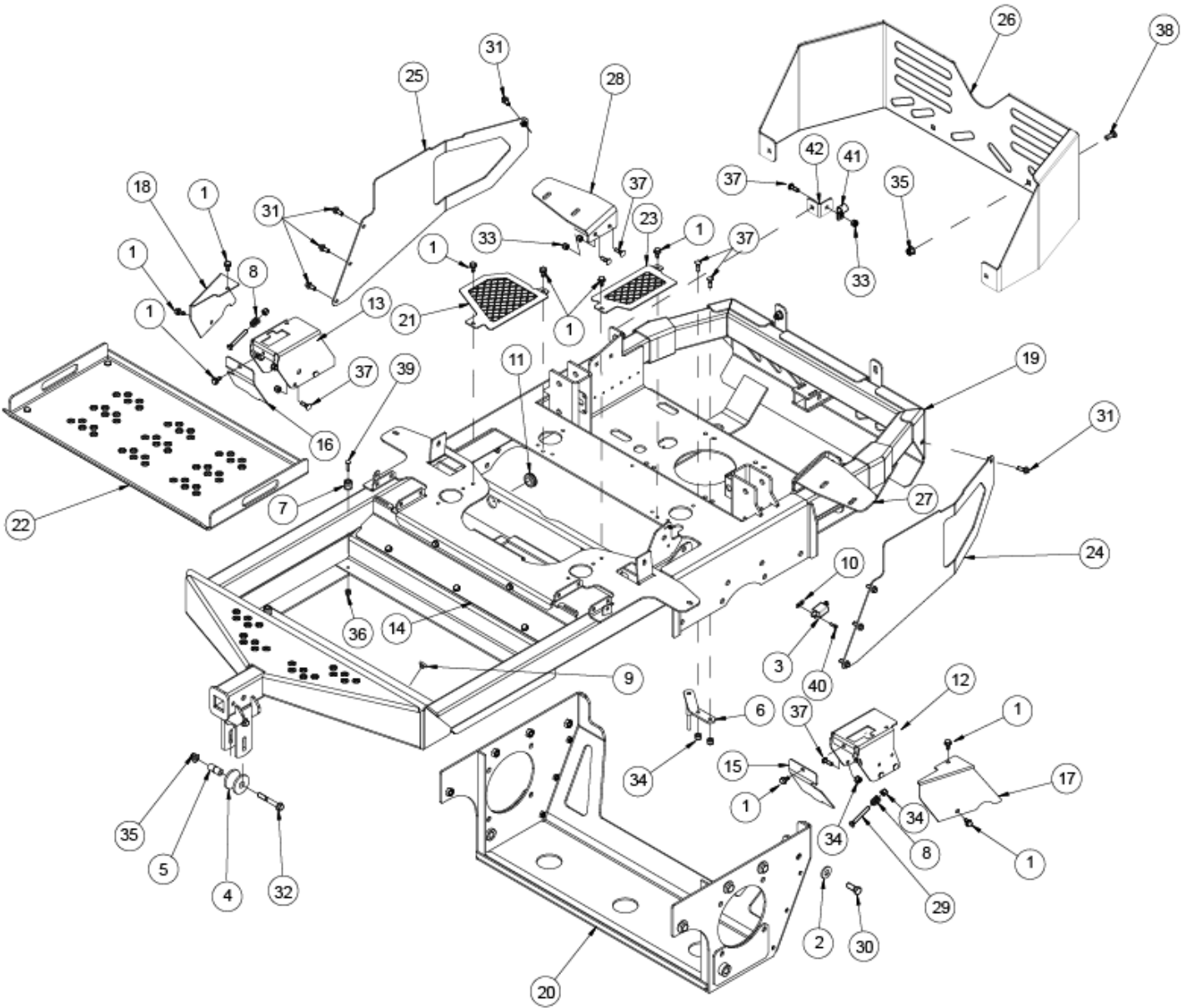
FRAME ASSEMBLY



FRAME ASSEMBLY

ITEM	PART NO.	DESCRIPTION
1	102500	SCREW, FLANGE TF M8X16 CA-PT
2	105502	WASHER, SPRING DISC 1/2
3	2808005	BLADE SWITCH
4	583464	FRONT ROLLER - MC
5	583490	PIVOT ROLLER TUBE - PLTD.
6	682025	WLD, CLUTCH STOP
7	683134	BUMPER
8	5205003	SPRING, COMPRESSION
9	5203907	BUMPER, RUBBER
10	5208103	NUT RACK
11	453382	GROMMET, RUBBER 1-5/16" I.D.
12	542175-1	WLD, T-SLOT BRACKET LH, BLK
13	542176-1	WLD, T-SLOT BRACKET RH BLK
14	543418-1	KICKBOARD, BLK
15	543567-1	COVER, MOTION CONTROL LH, BLK
16	543568-1	COVER, MOTION CONTROL RH, BLK
17	543569-1	BRACKET, MOTION CONTROL, LH, BLK
18	543570-1	BRACKET, MOTION CONTROL, RH, BLK
19	682003-2	WLD, FRAME 5400
20	682004-2	WLD, LOWER HYDRO 5400
21	682005-1	WLD, RH HYDRO FAN GUARD
22	682054-1	WLD, FOOT PLATE
23	682069-1	WLD, LH HYDRO FAN GUARD
24	682072-2	WLD, LH REAR ENGINE SHIELD
25	682074-2	WLD, RH REAR ENGINE SHIELD
26	683153-1	GUARD, REAR ENGINE
27	683187-2	BRACKET, LH TANK
28	683188-2	BRACKET, RH TANK
29	B5783-860	HEX HD BOLT M8X60
30	B5783-1230	BOLT M12X30
31	B5787-820	SCREW, HH FLANGE M8X20
32	B5787-1070	HEX FLANGE HD BOLT M10X70
33	B6182-8	NUT, NYLOC M8
34	B6183-8	NUT, FLANGED NYLOC M8
35	B6183-10	NUT, NYLOC FLANGE M10
36	B6183.1-6	FLANGED LOCKNUT M6
37	B801-825	BOLT, CARRIAGE SN M8X25
38	B801-1030	BOLT, CARRIAGE SN M10X30
39	B818-620	SCREW, PAN HEAD PHILLIPS M6 X 20
40	B823-516	SCREW M5X16
41	603031	DRAIN CLAMP
42	683143-1	ANGLE, CLAMP

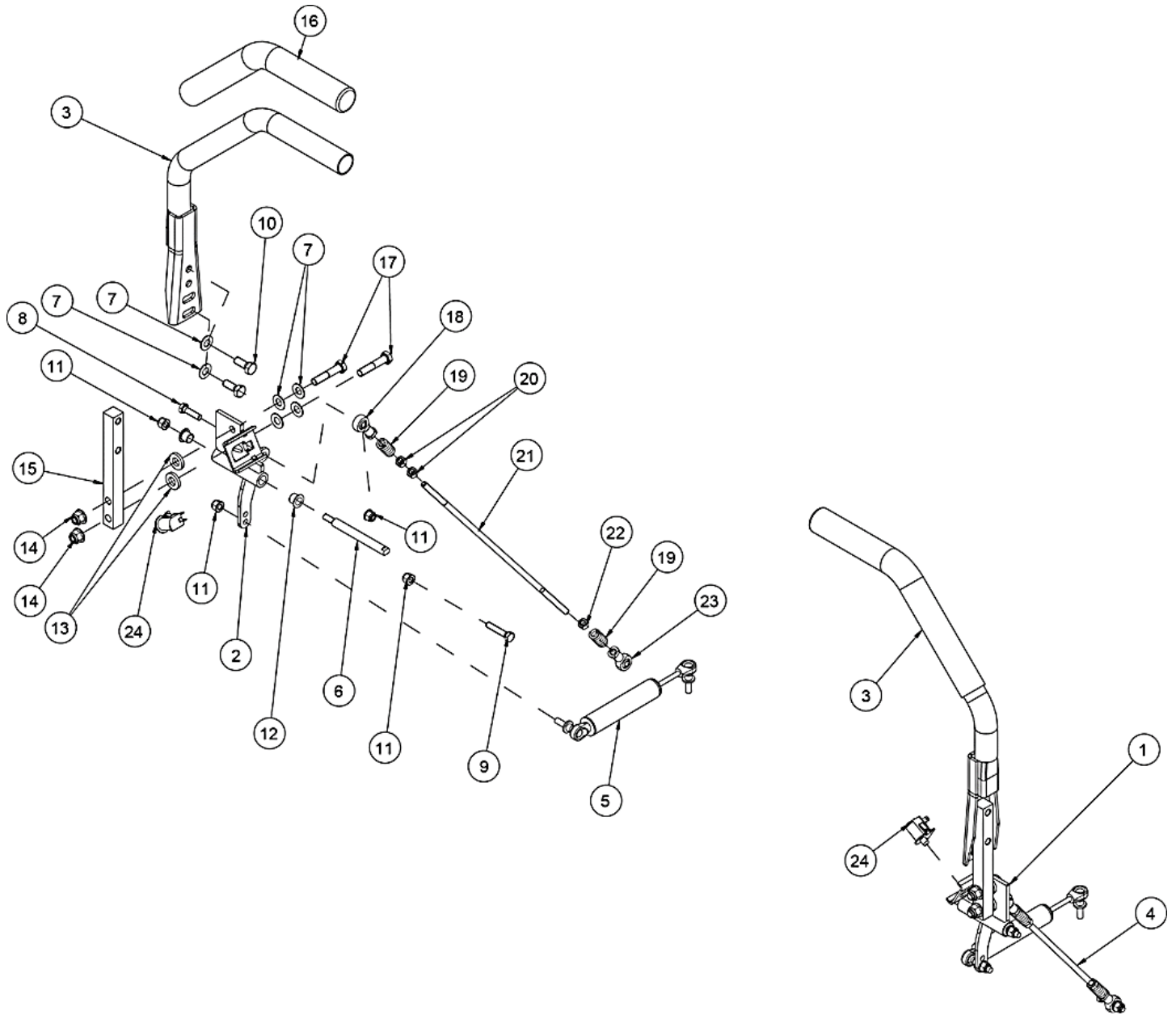
FRAME ASSEMBLY – B&S



FRAME ASSEMBLY – B&S

ITEM	PART NO.	DESCRIPTION
1	102500	SCREW, FLANGE TF M8X16 CA-PT
2	105502	WASHER, SPRING DISC 1/2
3	2808005	BLADE SWITCH
4	583464	FRONT ROLLER - MC
5	583490	PIVOT ROLLER TUBE - PLTD.
6	682025	WLD, CLUTCH STOP
7	683134	BUMPER
8	2800017	COMPRESSION SPRING
9	5203907	BUMPER, RUBBER
10	5208103	NUT RACK
11	453382	GROMMET, RUBBER 1-5/16" I.D.
12	542175-1	WLD, T-SLOT BRACKET LH, BLK
13	542176-1	WLD, T-SLOT BRACKET RH BLK
14	543418-1	KICKBOARD, BLK
15	543567-1	COVER, MOTION CONTROL LH, BLK
16	543568-1	COVER, MOTION CONTROL RH, BLK
17	543569-1	BRACKET, MOTION CONTROL, LH, BLK
18	543570-1	BRACKET, MOTION CONTROL, RH, BLK
19	682003-2	WLD, FRAME 5400
20	682004-2	WLD, LOWER HYDRO 5400
21	682005-1	WLD, RH HYDRO FAN GUARD
22	682054-1	WLD, FOOT PLATE
23	682069-1	WLD, LH HYDRO FAN GUARD
24	682072-2	WLD, LH REAR ENGINE SHIELD
25	682074-2	WLD, RH REAR ENGINE SHIELD
26	683257-1	GUARD, B&S REAR ENGINE
27	683187-2	BRACKET, LH TANK
28	683188-2	BRACKET, RH TANK
29	B5783-860	HEX HD BOLT M8X60
30	B5783-1230	BOLT M12X30
31	B5787-820	SCREW, HH FLANGE M8X20
32	B5787-1070	HEX FLANGE HD BOLT M10X70
33	B6182-8	NUT, NYLOC M8
34	B6183-8	NUT, FLANGED NYLOC M8
35	B6183-10	NUT, NYLOC FLANGE M10
36	B6183.1-6	FLANGED LOCKNUT M6
37	B801-825	BOLT, CARRIAGE SN M8X25
38	B801-1030	BOLT, CARRIAGE SN M10X30
39	B819-625	SCREW, M6 X 25 PHILLIPS FLAT HEAD
40	B823-516	SCREW M5X16
41	603031	DRAIN CLAMP
42	683143-1	ANGLE, CLAMP

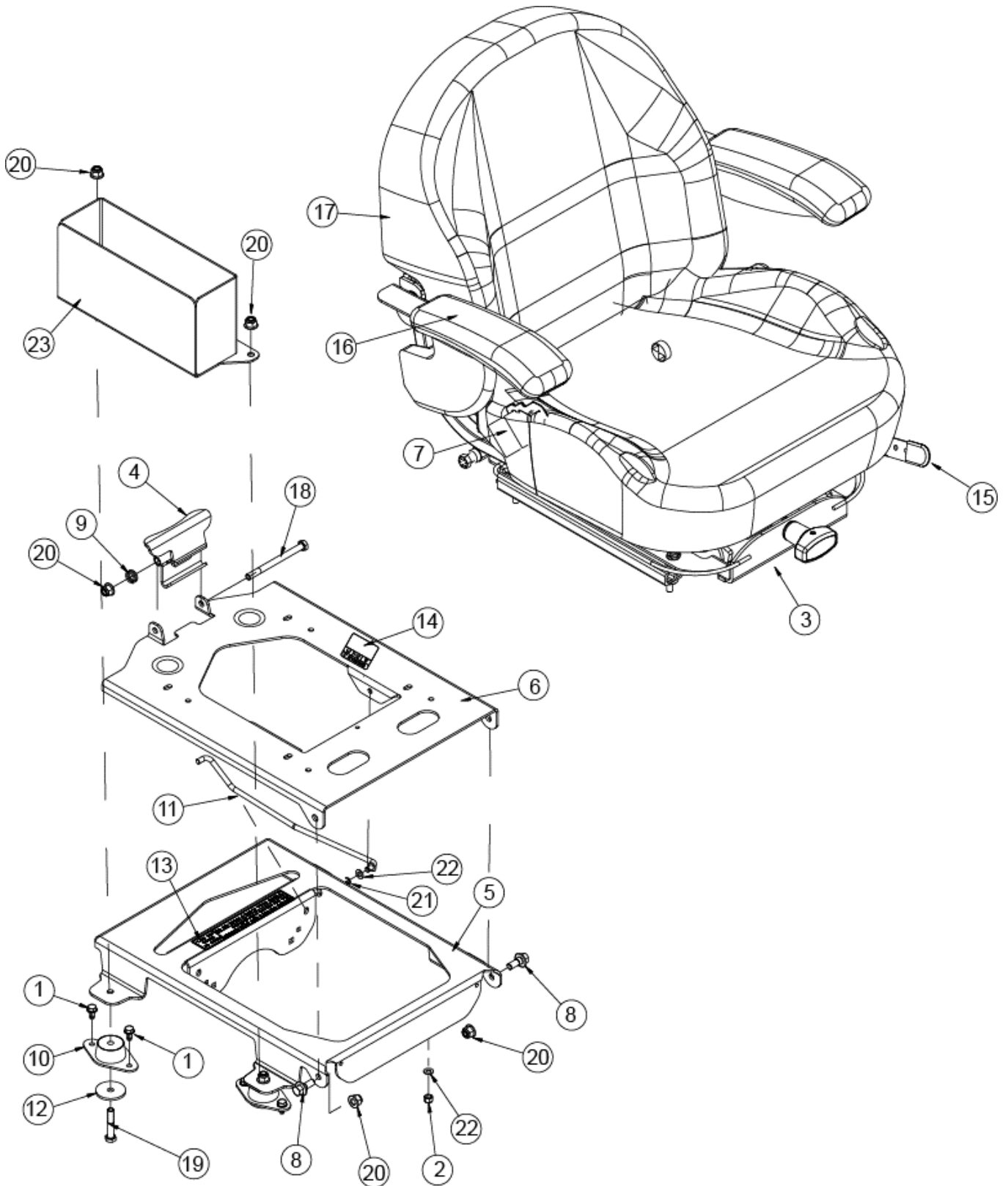
MOTION CONTROL ASSEMBLY



MOTION CONTROL ASSEMBLY

ITEM	PART NO	DESCRIPTION
1	542044	WLD, MOTION CONTROL LH
2	542079	WLD, MOTION CONTROL RH
3	542048	MOTION CONTROL LEVER W/GRIP
4	682032	ASM, MOTION CONTROL LINKAGE
5	543229	DAMPER
6	5002111	ROD, MOTION CONTROL
7	B1972-A22.5-2	WASHER, SPRING DISC A22.5 OD
8	B5783-830	SCREW, HH TAP M8x30
9	B5783-840	SCREW, HH TAP M8 X 40
10	B5783-1025	SCREW, HH TAP M10x25
11	B6183-8	NUT, FLANGED NYLOC M8
12	543154	BUSHING, MOTION CONTROL
13	543152	WASHER, PLASTIC
14	B6183-10	NUT, NYLOC FLANGE M10
15	543153	ARM, MOTION CONTROL
16	543156	GRIP, MOTION CONTROL LEVER
17	B5782-1050	BOLT 10X50
18	5205016	ROD END, SPHERICAL M8 RH SIBJK8S
19	5205003	SPRING, COMPRESSION
20	B6171-8	NUT M8
21	683110	ROD, LINKAGE HYDRO
22	B6171-8L	NUT M8X1 (LH)
23	5205017	ROD END, SPHERICAL M8 LH SILBJK8S
24	353048	SWITCH

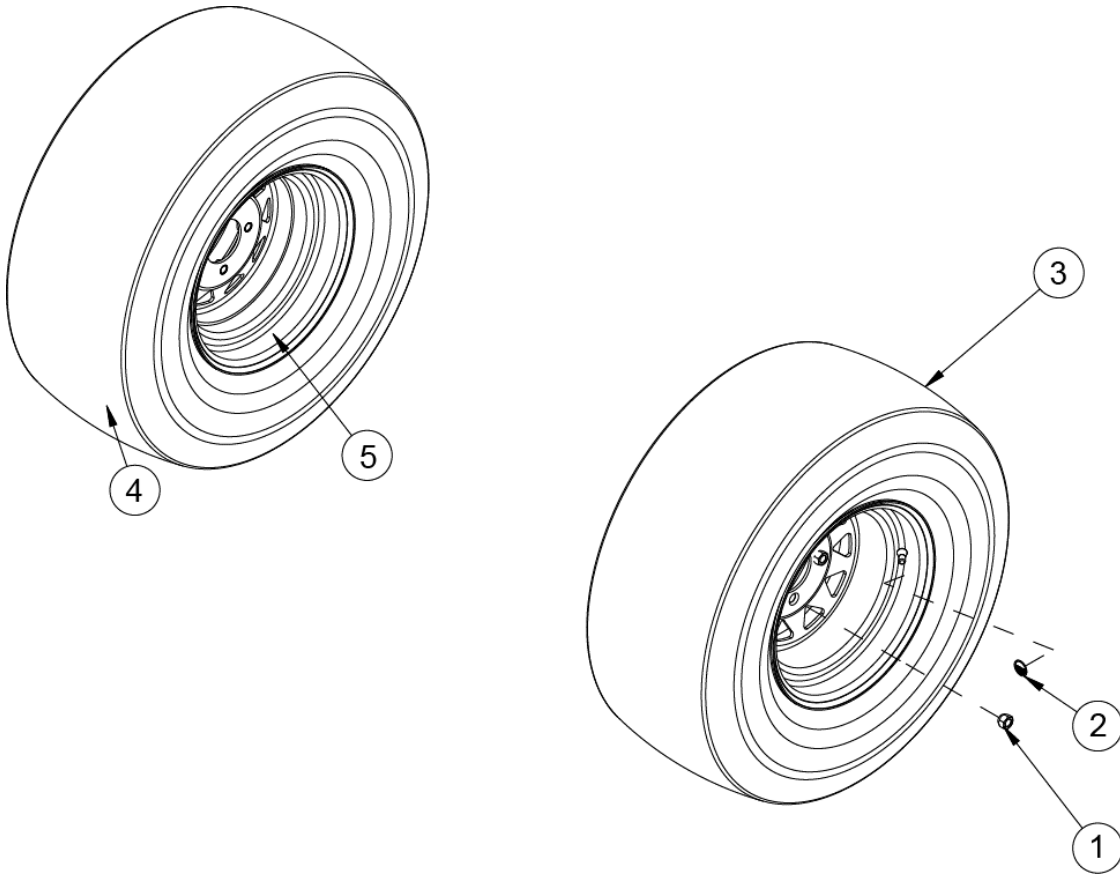
SUSPENSION SEAT ASSEMBLY



SUSPENSION SEAT ASSEMBLY

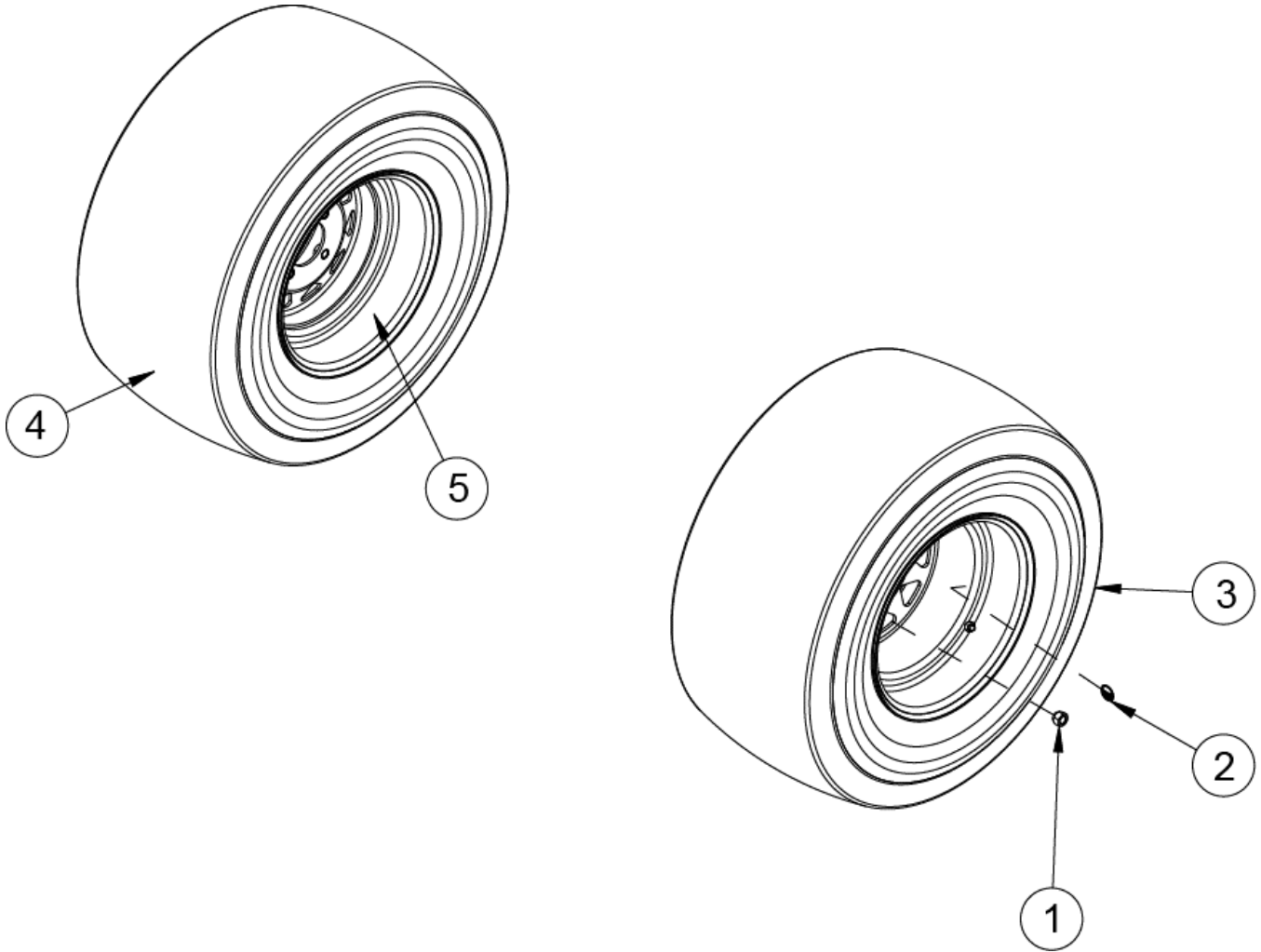
ITEM	PART NO.	DESCRIPTION
1	102500	SCREW, FLANGE TF M8X16 CA-PT
2	104256	5/16-18 HEX NYLOC NUT
3	353048	SEAT SWITCH
4	542202	WLD, SEAT LATCH
5	542110	SEAT PAN W/DECALS
6	542111	SEAT FRAME W/DECALS
7	543004	SEAT BELT KIT - RET.
8	543177	SHOULDER BOLT 10MM
9	543180	SPRING, TORSION
10	543181	ISO- MOUNT, SEAT
11	543252	ROD, SEAT
12	543296	WASHER, SNUBBER
13	543396	DECAL, HYDRO RESERVOIR
14	543397	DECAL, BATTERY WARNING
15	543438	KIT, SEAT TRACK 4"
16	593097	ARM REST PAD - MOLDED
17	683159	SEAT, SUSPENSION
18	B5782-10125	SCREW, HH M10X125
19	B5782-1060	BOLT 10X60
20	B6183-10	NUT, NYLOC FLANGE M10
21	B896-6	E-CLIP 6
22	B97.1-8	WASHER 8
23	682099-1	BOX, MISC

60" DRIVE TIRE ASSEMBLY



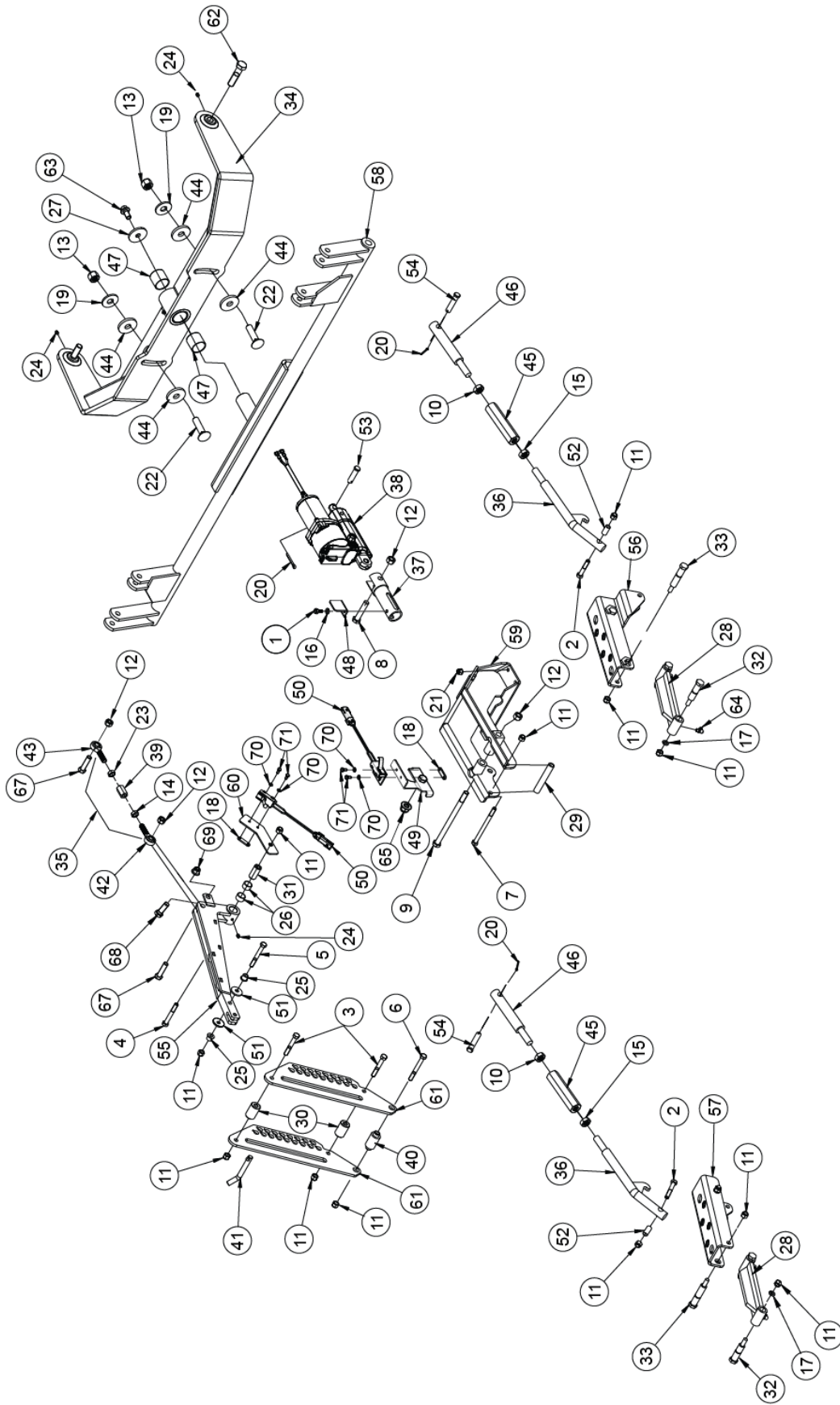
ITEM	PART NO.	DESCRIPTION
1	103023	1/2-20 X 60 T LUG NUT
2	453390	DECAL, REAR TIRE PRESSURE
3	682111	ASM, WHT WHEEL 26 X 10.5-12
4	683171	TIRE, 26 X 10.5-12
5	683218	WHEEL, WHT 12 X 8.5

72" DRIVE TIRE ASSEMBLY



ITEM	PART NO.	DESCRIPTION
1	103023	1/2-20 X 60 T LUG NUT
2	453390	DECAL, REAR TIRE PRESSURE
3	682100	ASM, WHT WHEEL 26 X 12-12
4	683147	TIRE, 26 X 12-12
5	542018	WHEEL, 12 X 10.5

60" DECK LIFT ASSEMBLY



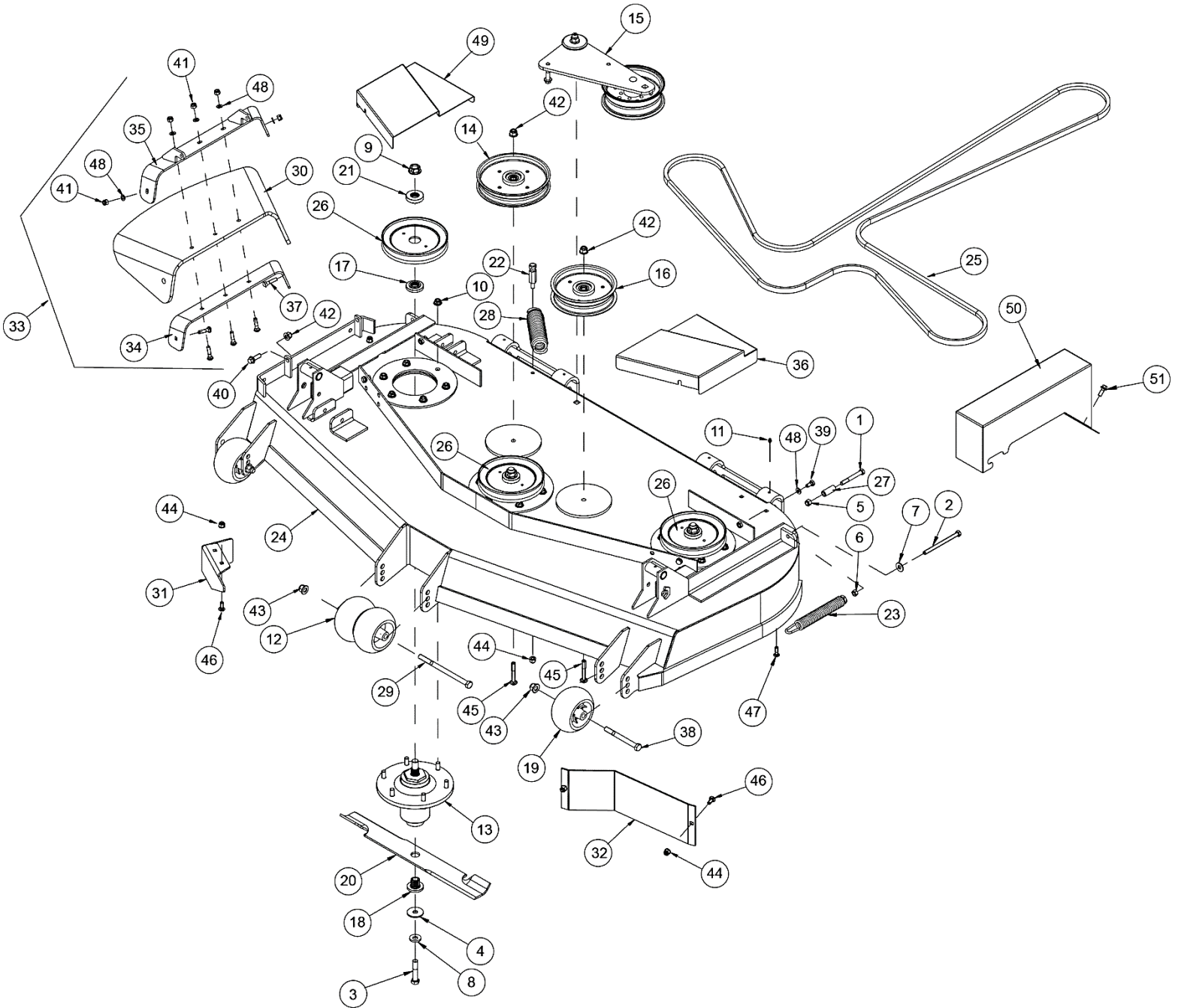
60" DECK LIFT ASSEMBLY

ITEM	PART NO.	DESCRIPTION
1	100270	5/16-18 X 5/8 HHCS
2	100296	3/8-16 X 2 HHCS
3	100298	3/8-16 X 2-1/2 HHCS
4	100299	3/8-16 X 2-3/4 HHCS
5	100300	3/8-16 X 3 HHCS
6	100301	3/8-16 X 3-1/4 HHCS
7	100306	3/8-16 X 5 HHCS
8	100331	1/2-13 X 2-1/2 HHCS
9	100342	1/2-13 X 7-1/2 HHCS
10	103026	5/8-18 LH HEX JAM NUT
11	104257	3/8-16 HEX NYLOC NUT
12	104259	1/2-13 HEX NYLOC NUT
13	104261	5/8-11 HEX NYLOC NUT
14	104755	1/2-20 HEX JAM NUT
15	104756	5/8-18 HEX JAM NUT
16	105005	5/16 LOCKWASHER-HEAVY
17	105006	3/8 LOCKWASHER
18	683315	PLATE, 5MM NUT
19	105268	5/8 STD FLAT WASHER
20	106763	1/8 X 1-1/4 COTTER PIN
21	B6183-8	NUT, FLANGED NYLOC M8
22	107531	BOLT, 5/8-11 X 2-1/2 CARRIAGE
23	109038	1/2-20 HEX JAM NUT LH
24	111004	1/4-28 ZERK
25	123044	PIN BUSHING
26	363089	BUSHING, ENGAGEMENT
27	453219	WASHER, LARGE
28	582059	CASTER BAR WELDMENT
29	583240	BRACE TUBE
30	593140	HEIGHT PLATE SPACER
31	593150	LIFT ARM PIVOT BUSHING - PLTD
32	593322	PIVOT BOLT LONG H/T
33	593323	PIVOT BOLT SHORT H/T
34	682013	ASM, DECK LIFT YOKE
35	682063	ASM, 60 LIFT LINK
36	682073	WLD, DECK LIFT SUSPENSION ROD (60" DECK)
37	682124	WLD, ACTUATOR SLOT BRKT
38	683019	ACTUATOR, PARKER
39	683064	TURNBUCKLE, 1/2-20 X 1.5
40	683072	SPACER, LOWER HOC
41	683080	PIN, HOC
42	683302	BALL JOINT ROD END, SHORT 1/2 RH MALE
43	683303	BALL JOINT ROD END, SHORT 1/2 LH MALE
44	683099	WASHER, 5/8" ID UHMW
45	683214	TURNBUCKLE, 5/8"
46	683216	ROD END (60" DECK)
47	683221	BEARING, 1-1/2" SLEEVE
48	683314	BRKT, LIFT SWITCH ANGLE

60" DECK LIFT ASSEMBLY

ITEM	PART NO.	DESCRIPTION
49	682152-2	WLD, SWITCH MT DOWN
50	682103	ASM, LIMIT SWITCH
51	753027	SPRING DISC WASHER
52	823153	SPACER
53	593165	CLEVIS PIN - 1/2 X 1 1/2
54	823210	1/2X2 CLEVIS PIN
55	682014-2	WLD, DECK HEIGHT ARM
56	682052-2	WLD, LH CASTER LIFT ARM
57	682053-2	WLD, RH CASTER LIFT ARM
58	682061-2	WLD, 60 DECK LIFT TUBE
59	682067-2	WLD, 60 ACTUATOR MOUNT
60	682156-2	WLD, 60 SWITCH MT UP
61	683071-2	PLATE, HOC
62	B5782-1665	SCREW, HH M16 X 65
63	B5787-1225	SCREW, HH FLANGE M12 X 25
64	111008	1/4-28 90 DEGREE ZERK
65	B6183-12	NUT, NYLOC FLANGE M12
66	683168	DECAL, DECK HEIGHT
67	100329	1/2-13 X 2 HHCS
68	B5783-1235	SCREW, HH TAP M12 X 35
69	B6177-12	NUT, SERRATED FLANGE M12
70	B97.1-5	WASHER, 5MM FLAT
71	B5783-510	SCREW, HH TAP M5 X 10

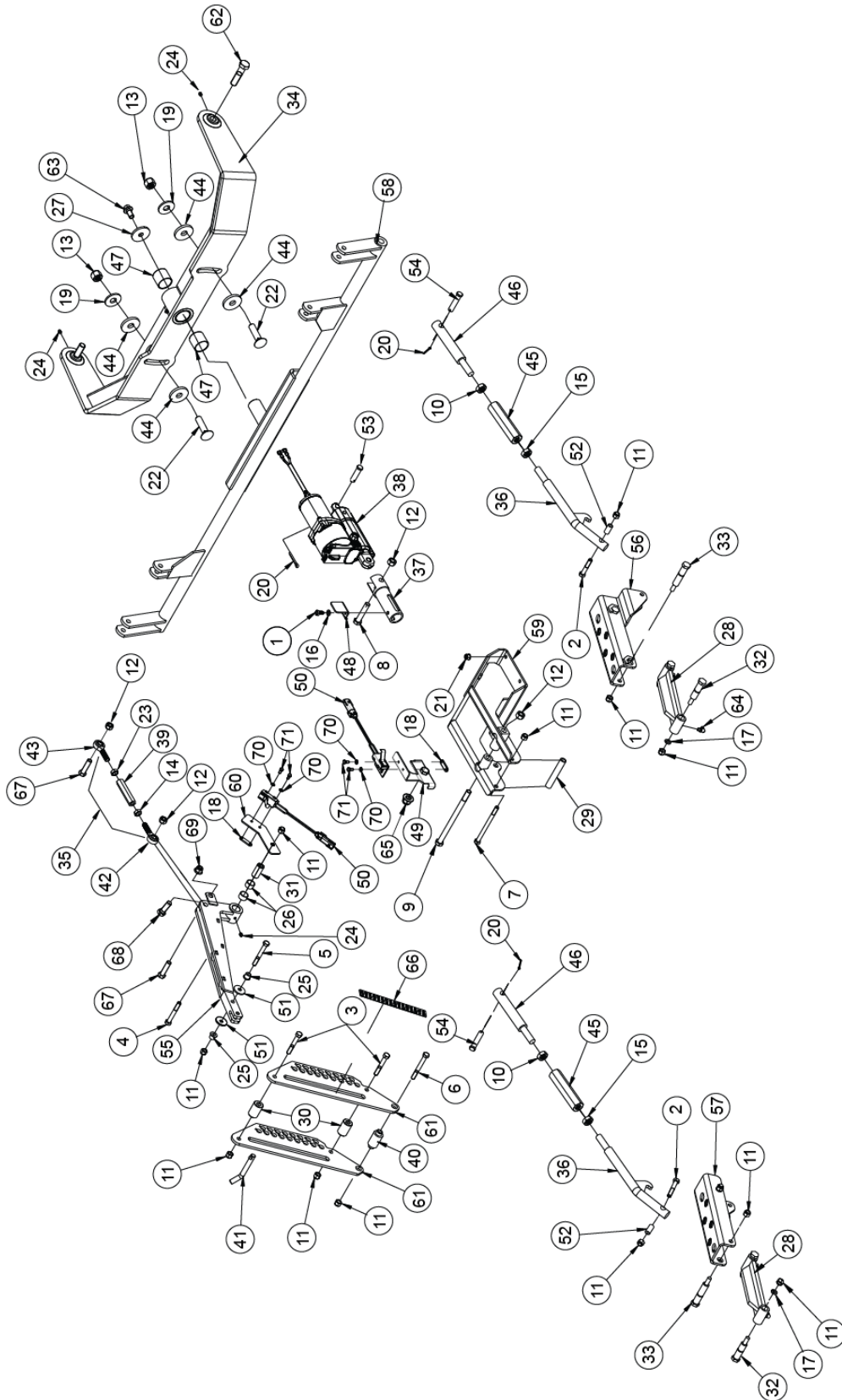
60" DECK ASSEMBLY



60" DECK ASSEMBLY

ITEM	PART NO.	DESCRIPTION
1	100300	3/8-16 X 3 HHCS
2	100032	3/8-16 X 5 HHTB
3	100537	1/2-20 X 2-1/2 HHCS
4	103038	WASHER, FLAT .530 X 1.75 X .125
5	104257	3/8-16 HEX NYLOC NUT
6	104507	NUT-HEX .38-16
7	105260	3/8 STD FLAT WASHER
8	105502	WASHER, SPRING DISC 1/2
9	109047	NUT, FLANGE SIDELOCK 5/8-18 UNF
10	109048	NUT, FLANGE NYLOC 3/8-16 UNC
11	111004	1/4-28 ZERK
12	423023	ROLLER, ANTI SCALP
13	542014	ASM, SPINDLE HOUSING DETAIL PG 37
14	542125	IDLER, FLAT 175MM W/NEW SPACER DETAIL PG 44
15	682127	ASM, COMPLETE DECK IDLER DETAIL PG 39
16	542147	ASM, 150MM FLAT IDLER W/SPACER DETAIL PG 43
17	543014	SPACER, BLADE DRIVE
18	542123	KIT, BLADE DRIVER
19	543225	ROLLER, ANTI SCALP
20	543294	BLADE, STD 20.5"
	543437	BLADE, MULCH 20.5"
21	543337	SPACER, SPLINED
22	543374	ANCHOR, SPRING 1.46
23	682062	ASM, SPRING TENSION
24	682078	ASM, 60 DECK W/DECALS
25	683034	BELT, DECK
26	683181	SHEAVE, BLADE DRIVE 6.61
27	823314	TUBE SADDLE SPACER
28	5201002	SPRING, EXTENSION
29	5202029	SCREW, HH CAP M12 X 185
30	6001053	DISCHARGE CHUTE (RUBBER)
31	543214-2	BAFFLE, DOGLEG 60, RED
32	543217-2	BAFFLE, BIRDWING 60, RED
33	6001050A	ASM, DISCHARGE CHUTE 52/60
34	6001052A	INNER BRACKET, DISCHARGE CHUTE
35	6001054A	OUTER BRACKET, DISCHARGE CHUTE
36	682131	ASM, LH 60 BLT SHIELD W/DECALS
37	B12-835	CARRIAGE HD BOLT M8 X 35
38	B5782-12120	SCREW, HH M12 X 120
39	B5783-816	SCREW, HH TAP M8X16
40	B5787-1030	SCREW, HH FLANGE M10X30
41	B6182-8	NUT, NYLOC M8
42	B6183-10	NUT, NYLOC FLANGE M10
43	B6183-12	NUT, NYLOC FLANGE M12
44	B6183-8	NUT, FLANGED NYLOC M8
45	B801-1060	BOLT, CARRIAGE M10 X 60
46	B801-820	BOLT, CARRIAGE SN M8X20
47	B801-825	BOLT, CARRIAGE SN M8X25
48	B97.1-8	WASHER 8
49	682130	ASM, RH 60 BELT SHIELD W/DECALS
50	682075-1	WLD, ACTUATOR COVER
51	B5787-820	SCREW, HH FLANGE M8X20

72" DECK LIFT ASSEMBLY



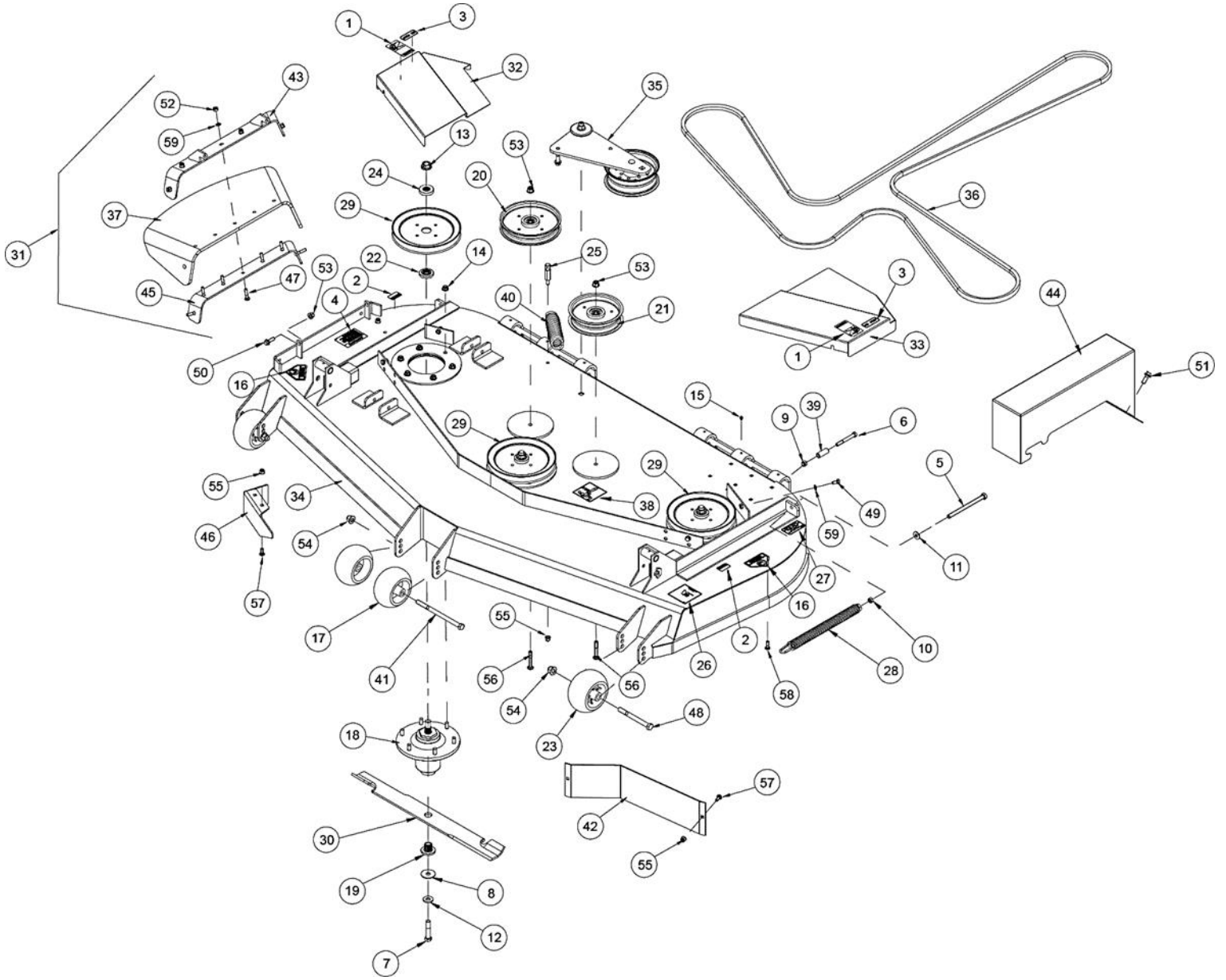
72" DECK LIFT ASSEMBLY

ITEM	PART NO.	DESCRIPTION
1	100270	5/16-18 X 5/8 HHCS
2	100296	3/8-16 X 2 HHCS
3	100298	3/8-16 X 2-1/2 HHCS
4	100299	3/8-16 X 2-3/4 HHCS
5	100300	3/8-16 X 3 HHCS
6	100301	3/8-16 X 3-1/4 HHCS
7	100306	3/8-16 X 5 HHCS
8	100331	1/2-13 X 2-1/2 HHCS
9	100342	1/2-13 X 7-1/2 HHCS
10	103026	5/8-18 LH HEX JAM NUT
11	104257	3/8-16 HEX NYLOC NUT
12	104259	1/2-13 HEX NYLOC NUT
13	104261	5/8-11 HEX NYLOC NUT
14	104755	1/2-20 HEX JAM NUT
15	104756	5/8-18 HEX JAM NUT
16	105005	5/16 LOCKWASHER-HEAVY
17	105006	3/8 LOCKWASHER
18	683315	PLATE, 5MM NUT
19	105268	5/8 STD FLAT WASHER
20	106763	1/8 X 1-1/4 COTTER PIN
21	B6183-8	NUT, FLANGED NYLOC M8
22	107531	BOLT, 5/8-11 X 2-1/2 CARRIAGE
23	109038	1/2-20 HEX JAM NUT LH
24	111004	1/4-28 ZERK
25	123044	PIN BUSHING
26	363089	BUSHING, ENGAGEMENT
27	453219	WASHER, LARGE
28	582059	CASTER BAR WELDMENT
29	583240	BRACE TUBE
30	593140	HEIGHT PLATE SPACER
31	593150	LIFT ARM PIVOT BUSHING - PLTD
32	593322	PIVOT BOLT LONG H/T
33	593323	PIVOT BOLT SHORT H/T
34	682013	ASM, DECK LIFT YOKE
35	682018	ASM, 72 LIFT LINK
36	682034	WLD, DECK LIFT SUSPENSION ROD
37	682124	WLD, ACTUATOR SLOT BRKT
38	683019	ACTUATOR, PARKER
39	683088	TURNBUCKLE, 1/2 - 20 X 3-5/8"
40	683072	SPACER, LOWER HOC
41	683080	PIN, HOC
42	683300	BALL JOINT ROD END, 1/2 RH MALE
43	683301	BALL JOINT ROD END, 1/2 LH MALE
44	683099	WASHER, 5/8" ID UHMW
45	683214	TURNBUCKLE, 5/8"
46	683215	ROD END (72" DECK)
47	683221	BEARING, 1-1/2" SLEEVE
48	683314	BRKT, LIFT SWITCH ANGLE

72" DECK LIFT ASSEMBLY

ITEM	PART NO.	DESCRIPTION
49	682152-2	WLD, SWITCH MT DOWN
50	682103	ASM, LIMIT SWITCH
51	753027	SPRING DISC WASHER
52	823153	SPACER
53	593165	CLEVIS PIN - 1/2 X 1 1/2
54	823210	1/2X2 CLEVIS PIN
55	682014-2	WLD, DECK HEIGHT ARM
56	682052-2	WLD, LH CASTER LIFT ARM
57	682053-2	WLD, RH CASTER LIFT ARM
58	682011-2	WLD, 72 DECK LIFT TUBE
59	682020-2	WLD, ACTUATOR MOUNT
60	682151-2	WLD, SWITCH MT UP
61	683071-2	PLATE, HOC
62	B5782-1665	SCREW, HH M16 X 65
63	B5787-1225	SCREW, HH FLANGE M12 X 25
64	111008	1/4-28 90 DEGREE ZERK
65	B6183-12	NUT, NYLOC FLANGE M12
66	683168	DECAL, DECK HEIGHT
67	100329	1/2-13 X 2 HHCS
68	B5783-1235	SCREW, HH TAP M12 X 35
69	B6177-12	NUT, SERRATED FLANGE M12
70	B97.1-5	WASHER, 5MM FLAT
71	B5783-510	SCREW, HH TAP M5 X 10

72" DECK ASSEMBLY



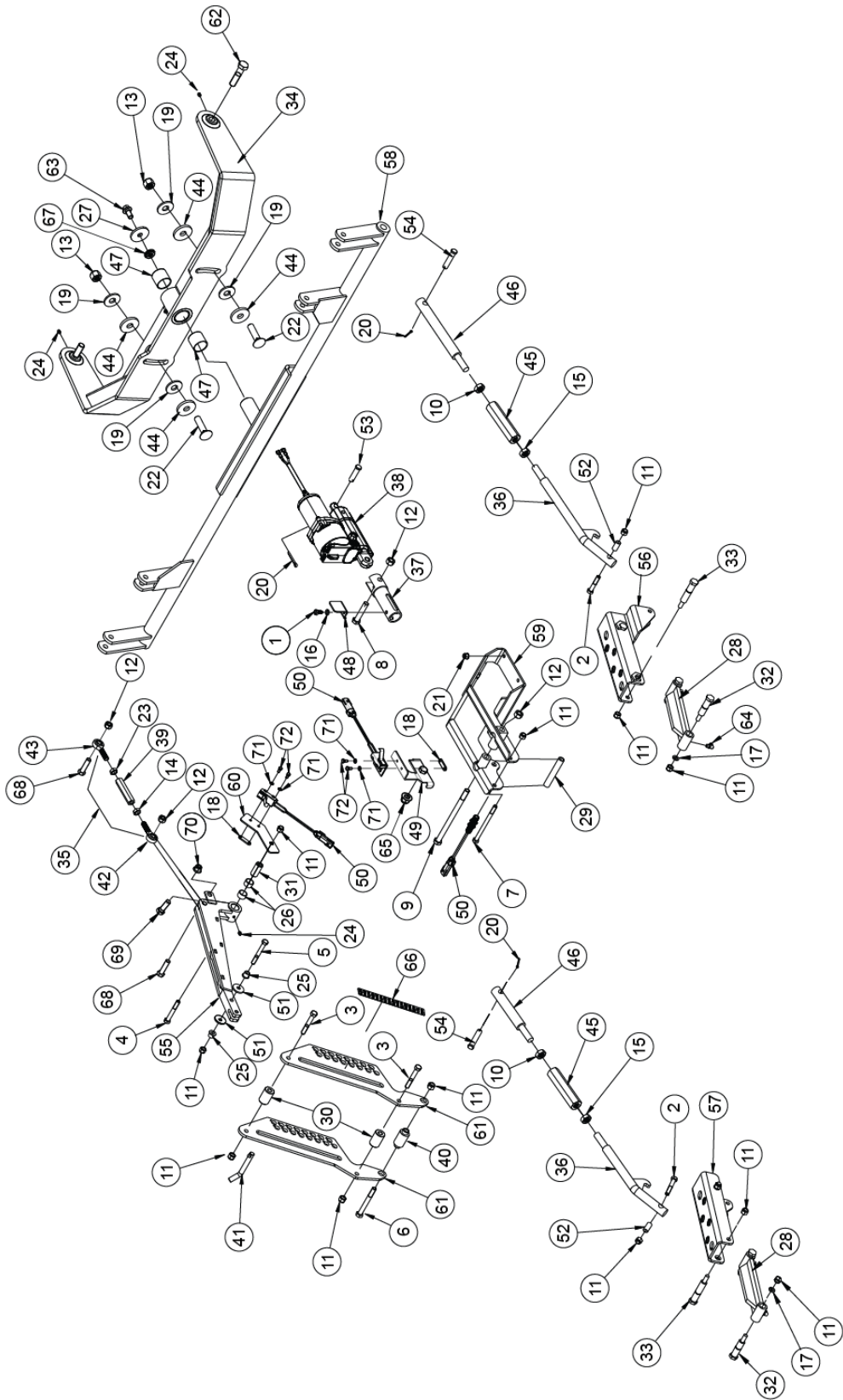
72" DECK ASSEMBLY

ITEM	PART NO.	DESCRIPTION
1	8008	DECAL, CAUTION, GUARDING LG
2	8303	DECAL, CAUTION, GUARDING SM
3	8304	DECAL, NO STEP
4	8307	DECAL, DISCHARGE WARNING
5	100032	3/8-16 X 5 HHTB
6	100300	3/8-16 X 3 HHCS
7	100537	1/2-20 X 2-1/2 HHCS
8	103038	.530 X 1.75 X .125 FLAT WASHER
9	104257	3/8-16 HEX NYLOC NUT
10	104507	NUT-HEX .38-16
11	105260	3/8 STD FLAT WASHER
12	105502	WASHER, SPRING DISC 1/2
13	109047	NUT, FLANGE SIDELOCK 5/8-18 UNF
14	109048	NUT, FLANGE NYLOC 3/8-16 UNC
15	111004	1/4-28 ZERK
16	363023	DANGER DECAL, HANDS AND FEET
17	423023	DECK ROLLER, OFFSET
18	542014	ASM, SPINDLE HOUSING DETAIL PG 37
19	542123	KIT, BLADE DRIVER
20	542125	IDLER, FLAT 175MM W/NEW SPACER DETAIL PG 44
21	542147	ASM, 150MM FLAT IDLER W/SPACER DETAIL PG 43
22	543014	SPACER, BLADE DRIVE
23	543225	ROLLER, ANTI SCALP
24	543337	SPACER, SPLINED
25	543374	ANCHOR, SPRING 1.46
26	543392	DECAL, ANTI-SCALP ROLLER
27	543394	DECAL, BLADE BOLT
28	622135	SPRING TENSION ASSY.755x1.147x14.71
29	653128	SHEAVE, BLADE DRIVE 8.30 X 1.19 ID
30	653161	BLADE, 24.5"
	683109	BLADE, MULCH 24.5
31	682017	ASM, DISCHARGE CHUTE 72
32	682055	ASM, RH 72 BELT SHIELD W/DECALS
33	682056	ASM, LH 72 BELT SHIELD W/DECALS
34	682077	ASM, 72 DECK W/DECALS
35	682127	ASM, COMPLETE DECK IDLER DETAIL PG 39
36	683054	BELT, DECK 72
37	683068	CHUTE, DISCHARGE 72 (RUBBER)
38	683081	DECAL, BELT ROUTING
39	823314	TUBE SADDLE SPACER
40	5201002	SPRING, EXTENSION
41	5202029	SCREW, HH CAP M12 X 185
42	653162-2	BAFFLE, BIRDWING 72 LH
43	682016-2	WLD, OUTER BRACKET 72 DISCHARGE CHUTE
44	682075-1	WLD, ACTUATOR COVER
45	683067-2	INNER BRACKET 72 DISCHARGE CHUTE
46	683096-2	BAFFLE, DOGLEG 72
47	B12-835	CARRIAGE HD BOLT M8 X 35
48	B5782-12120	SCREW, HH M12 X 120
49	B5783-816	SCREW, HH TAP M8x16
50	B5787-1030	SCREW, HH FLANGE M10x30
51	B5787-820	SCREW, HH FLANGE M8X20

72" DECK ASSEMBLY

ITEM	PART NO.	DESCRIPTION
52	B6182-8	NUT, NYLOC M8
53	B6183-10	NUT, NYLOC FLANGE M10
54	B6183-12	NUT, NYLOC FLANGE M12
55	B6183-8	NUT, FLANGED NYLOC M8
56	B801-1060	BOLT, CARRIAGE M10 X 60
57	B801-820	BOLT, CARRIAGE SN M8X20
58	B801-825	BOLT, CARRIAGE SN M8X25
59	B97.1-8	WASHER 8

72" RD DECK LIFT ASSEMBLY



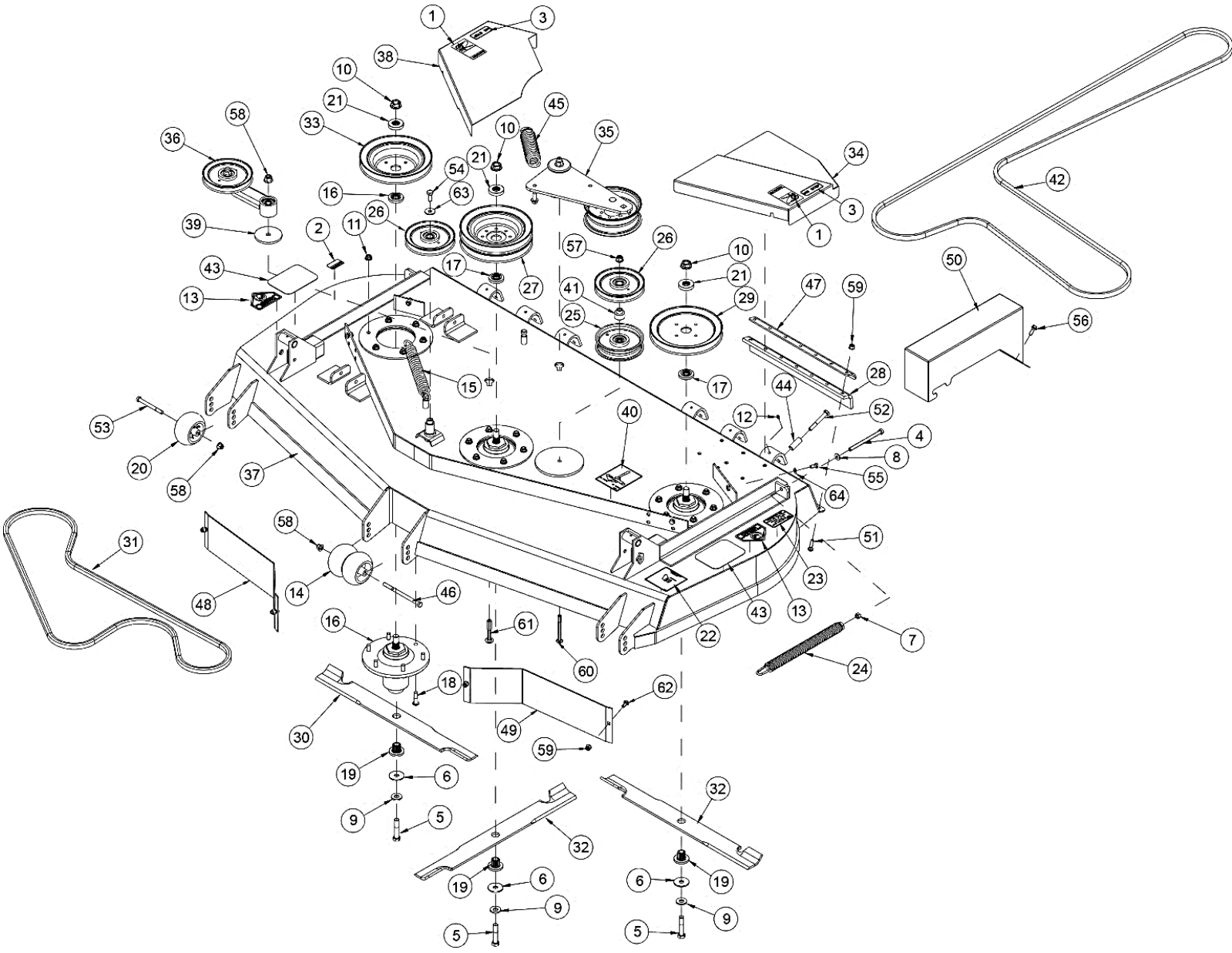
72" RD DECK LIFT ASSEMBLY

ITEM	PART NO.	DESCRIPTION
1	100270	5/16-18 X 5/8 HHCS
2	100296	3/8-16 X 2 HHCS
3	100298	3/8-16 X 2-1/2 HHCS
4	100299	3/8-16 X 2-3/4 HHCS
5	100300	3/8-16 X 3 HHCS
6	100301	3/8-16 X 3-1/4 HHCS
7	100306	3/8-16 X 5 HHCS
8	100331	1/2-13 X 2-1/2 HHCS
9	100342	1/2-13 X 7-1/2 HHCS
10	103026	5/8-18 LH HEX JAM NUT
11	104257	3/8-16 HEX NYLOC NUT
12	104259	1/2-13 HEX NYLOC NUT
13	104261	5/8-11 HEX NYLOC NUT
14	104755	1/2-20 HEX JAM NUT
15	104756	5/8-18 HEX JAM NUT
16	105005	5/16 LOCKWASHER-HEAVY
17	105006	3/8 LOCKWASHER
18	683315	PLATE, 5MM NUT
19	105268	5/8 STD FLAT WASHER
20	106763	1/8 X 1-1/4 COTTER PIN
21	B6183-8	NUT, FLANGED NYLOC M8
22	107531	BOLT, 5/8-11 X 2-1/2 CARRIAGE
23	109038	1/2-20 HEX JAM NUT LH
24	111004	1/4-28 ZERK
25	123044	PIN BUSHING
26	363089	BUSHING, ENGAGEMENT
27	453219	WASHER, LARGE
28	582059	CASTER BAR WELDMENT
29	583240	BRACE TUBE
30	593140	HEIGHT PLATE SPACER
31	593150	LIFT ARM PIVOT BUSHING - PLTD
32	593322	PIVOT BOLT LONG H/T
33	593323	PIVOT BOLT SHORT H/T
34	682013	ASM, DECK LIFT YOKE
35	682018	ASM, 72 LIFT LINK
36	682034	WLD, DECK LIFT SUSPENSION ROD
37	682124	WLD, ACTUATOR SLOT BRKT
38	683019	ACTUATOR, PARKER
39	683088	TURNBUCKLE, 1/2 - 20 X 3-5/8"
40	683072	SPACER, LOWER HOC
41	683080	PIN, HOC
42	683300	BALL JOINT ROD END, 1/2 RH MALE
43	683301	BALL JOINT ROD END, 1/2 LH MALE
44	683099	WASHER, 5/8" ID UHMW
45	683214	TURNBUCKLE, 5/8"
46	683215	ROD END (72" DECK)
47	683221	BEARING, 1-1/2" SLEEVE
48	683314	BRKT, LIFT SWITCH ANGLE

72" RD DECK LIFT ASSEMBLY

ITEM	PART NO.	DESCRIPTION
49	682152-2	WLD, SWITCH MT DOWN
50	682103	ASM, LIMIT SWITCH
51	753027	SPRING DISC WASHER
52	823153	SPACER
53	593165	CLEVIS PIN - 1/2 X 1 1/2
54	823210	1/2X2 CLEVIS PIN
55	682014-2	WLD, DECK HEIGHT ARM
56	682052-2	WLD, LH CASTER LIFT ARM
57	682053-2	WLD, RH CASTER LIFT ARM
58	682011-2	WLD, 72 DECK LIFT TUBE
59	682020-2	WLD, ACTUATOR MOUNT
60	682151-2	WLD, SWITCH MT UP
61	683083-2	PLATE, RD HOC
62	B5782-1665	SCREW, HH M16 X 65
63	B5787-1225	SCREW, HH FLANGE M12 X 25
64	111008	1/4-28 90 DEGREE ZERK
65	B6183-12	NUT, NYLOC FLANGE M12
66	683168	DECAL, DECK HEIGHT
67	453220	SPACER
68	100329	1/2-13 X 2 HHCS
69	B5783-1235	SCREW, HH TAP M12 X 35
70	B6177-12	NUT, SERRATED FLANGE M12
71	B97.1-5	WASHER, 5MM FLAT
72	B5783-510	SCREW, HH TAP M5 X 10

72" RD DECK ASSEMBLY



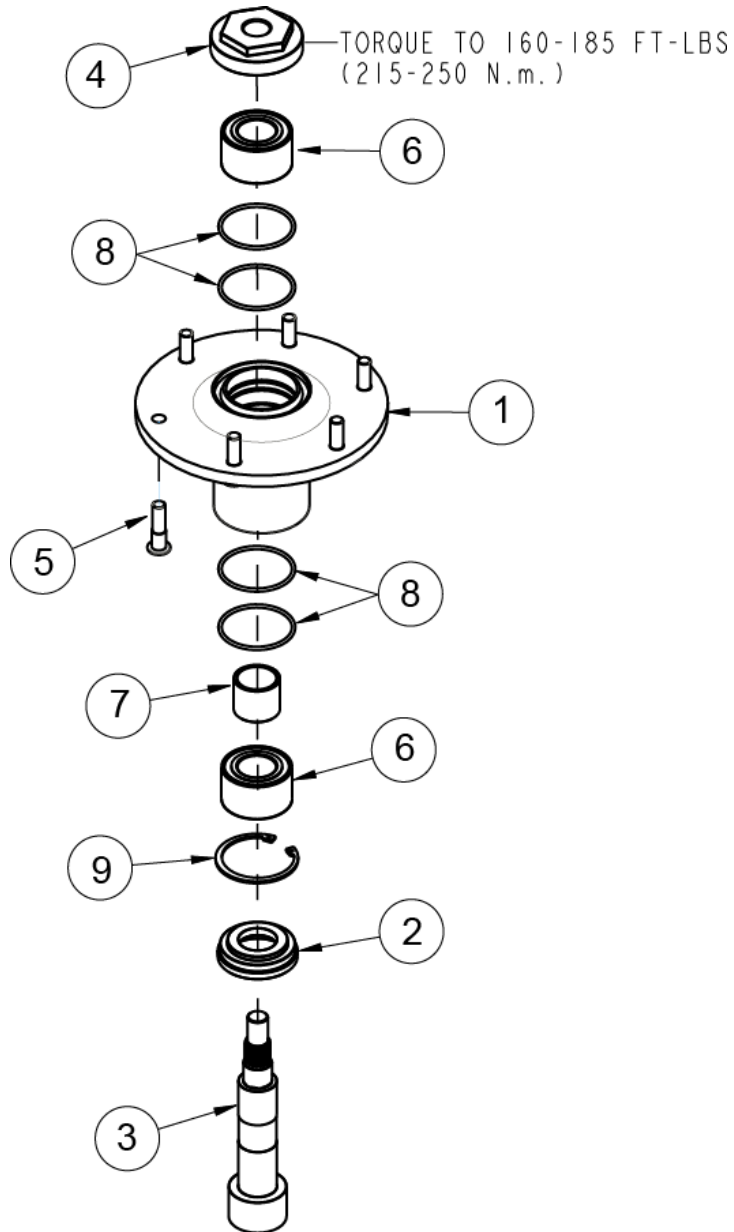
72" RD DECK ASSEMBLY

ITEM	PART NO.	DESCRIPTION
1	8008	DECAL, CAUTION, GUARDING LG
2	8303	DECAL, CAUTION, GUARDING SM
3	8304	DECAL, NO STEP
4	100032	3/8-16 X 5 HHTB
5	100537	1/2-20 X 2-1/2 HHCS
6	103038	.530 X 1.75 X .125 FLAT WASHER
7	104507	NUT-HEX .38-16
8	105260	3/8 STD FLAT WASHER
9	105502	WASHER, SPRING DISC 1/2
10	109047	NUT, FLANGE SIDELOCK 5/8-18 UNF
11	109048	NUT, FLANGE NYLOC 3/8-16 UNC
12	111004	1/4-28 ZERK
13	363023	DANGER DECAL, HANDS AND FEET
14	423023	ROLLER, ANTI SCALP
15	523109	LIFT TENSION SPRING
16	542014	ASM, SPINDLE HOUSING - DETAIL PG 37
17	543014	SPACER, BLADE DRIVE
18	543015	STUD, WHEEL 10MM
19	542123	KIT, BLADE DRIVER
20	543225	ROLLER, ANTI SCALP
21	543337	SPACER, SPLINED
22	543392	DECAL, ANTI-SCALP ROLLER
23	543394	DECAL, BLADE BOLT
24	622135	SPRING TENSION ASSY.755X1.147X14.71
25	652035	ASM, 127MM X 32MM PULLEY W/SPACER - DETAIL PG 38
26	652053	ASM, 6" GROOVE PULLEY W/BEARING - DETAIL PG 45
27	652071	ASM, DOUBLE PULLEY BLADE DRIVE 8.30 SHEAVE
28	653121	CHUTE, 72 RD RUBBER
29	653128	SHEAVE, BLADE DRIVE 8.30 X 1.19 ID
30	653136	BLADE, 24.5" REVERSE
31	653139	BELT, PB 72 RD REVERSE DECK
32	653161	BLADE, 24.5"
33	653172	SHEAVE, OFFSET BLADE DRIVE 8.30 X 1.19 ID
34	682056	ASM, LH 72 BELT SHIELD W/DECALS
35	682117	ASM, KEY SLOT COMPLETE DECK IDLER - DETAIL PG 41
36	682120	ASM, IDLER ARM COMPLETE - DETAIL PG 46
37	682160	ASM, 72 RD DECAL W/DECALS
38	682161	ASM, RH 72 RD BELT SHIELD W/DECALS
39	683058	PLATE, IDLER SUPPORT
40	683219	DECAL, BELT ROUTING RD
41	683232	STEPPED SPACER
42	683236	BELT, PB 72 RD DECK
43	823200	STEP TREAD
44	823314	TUBE SADDLE SPACER
45	5201002	SPRING, EXTENSION
46	5202029	SCREW, HH CAP M12 X 185
47	653127-2	PLATE, RD CHUTE
48	653131-2	BAFFLE, BIRDWING 72 RD RH
49	653162-2	BAFFLE, BIRDWING 72 LH
50	682075-1	WLD, ACTUATOR COVER
51	B12-830	BOLT, CARRIAGE 8 X 30
52	B5782-1070	HEX HD BOLT M10X70

72" RD DECK ASSEMBLY

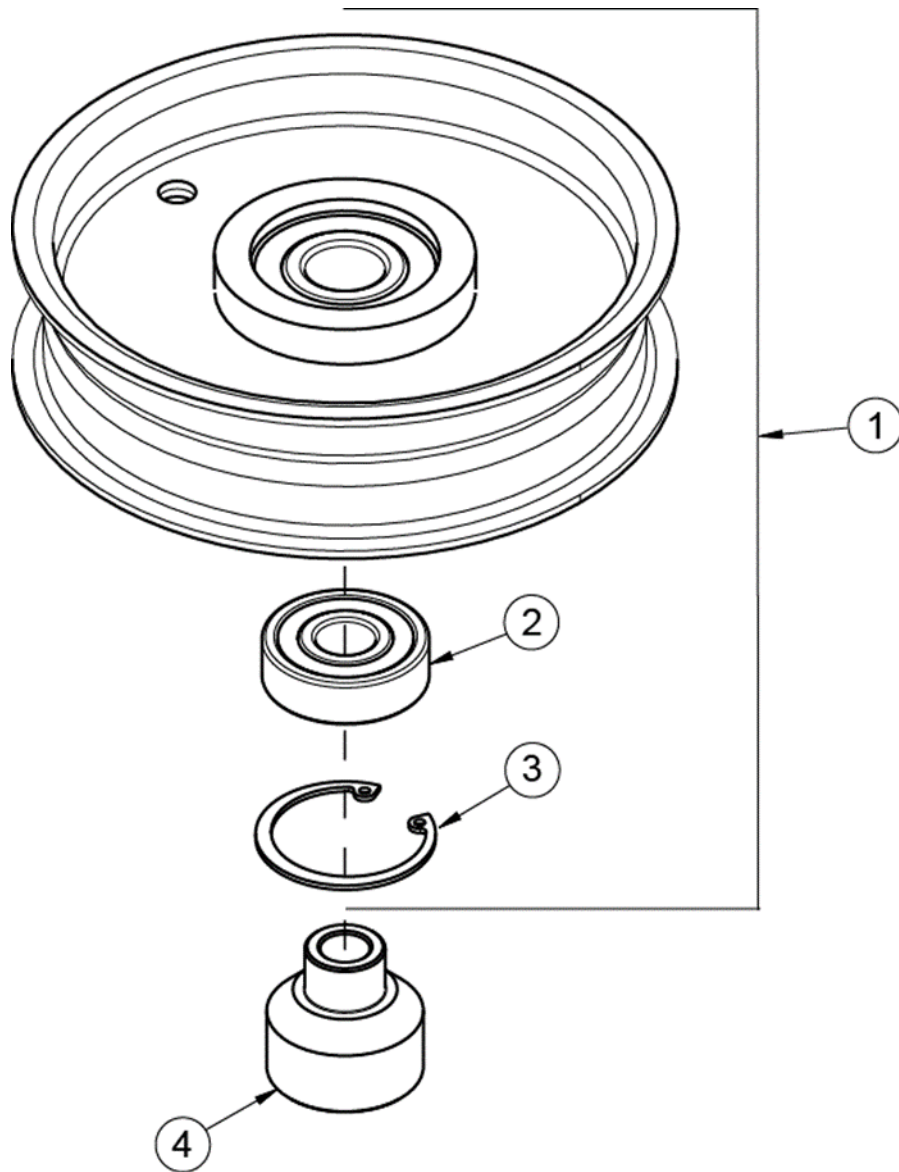
ITEM	PART NO.	DESCRIPTION
53	B5782-12120	SCREW, HH M12 X 120
54	B5783-1025	SCREW, HH TAP M10X25
55	B5783-816	SCREW, HH TAP M8X16
56	B5787-820	SCREW, HH FLANGE M8X20
57	B6183-10	NUT, NYLOC FLANGE M10
58	B6183-12	NUT, NYLOC FLANGE M12
59	B6183-8	NUT, FLANGED NYLOC M8
60	B801-1090	BOLT, CARRIAGE SN M10 X 90
61	B801-1270	CARRIAGE BOLT M12X70
62	B801-820	BOLT, CARRIAGE SN M8X20
63	B96-10	WASHER, FLAT LARGE M10
64	B97.1-8	WASHER 8

SPINDLE HOUSING ASSEMBLY



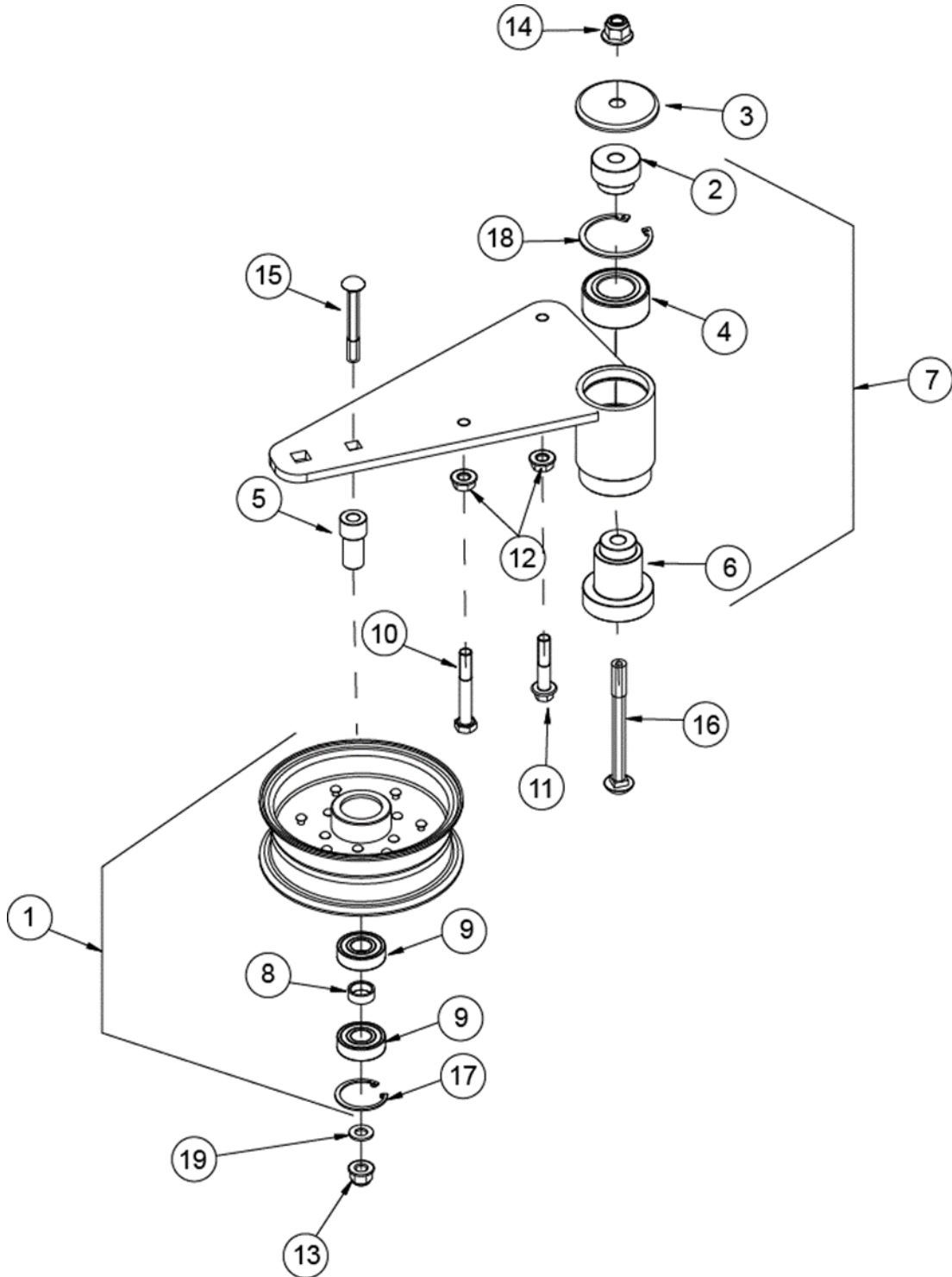
ITEM	PART NO.	DESCRIPTION
1	542012	HOUSING, CUTTER W/STUDS
2	543008	GUARD, BOTTOM
3	543009	SPINDLE
4	543010	NUT, SPINDLE
5	543015	STUD, WHEEL 10MM
6	543166	BEARING, DAC3055RK
7	543237	SPACER
8	B3452.1-545X265	O-RING 54.5 X 2.65
9	B893.2-60	RING, SNAP INTERNAL 60mm

DECK IDLER 127MM



ITEM	PART NO.	DESCRIPTION
1	652034	ASM, 127MM X 32MM PULLEY W/BEARING
2	B276-6303RS	Bearing 6303-2RS
3	B893.2-47	SNAP RING 47
4	543450	SPACER, IDLER

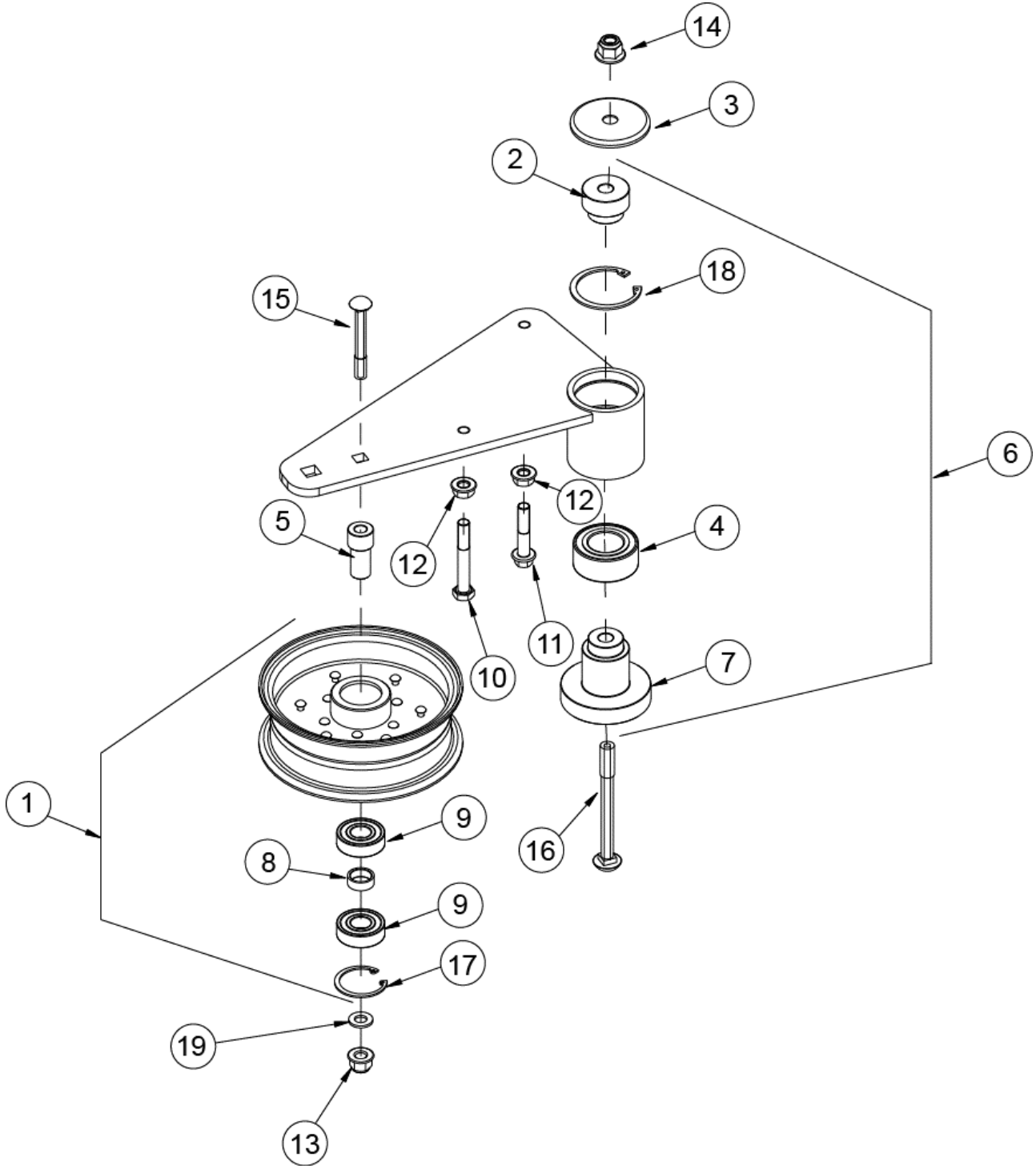
DECK IDLER ASSEMBLY



DECK IDLER ASSEMBLY

ITEM	PART NO.	DESCRIPTION
1	542134	ASM, PULLEY 150MM X 48MM W/BEARINGS
2	543096	SPACER, STEPPED
3	543099	CAP, DUST
4	543236	BEARING, 30BD40DF2
5	543462	SPACER, PULLEY
6	543463	SPACER, TALL IDLER
7	682126	ASM, DECK IDLER
8	5201077	BUSHING
9	B276-6203RS	BEARING 6203-2RS
10	B5782-1070	HEX HD BOLT M10X70
11	B5787-1050	SCREW, HH FLANGED M10 X 50
12	B6177-10	NUT, FLANGED M10
13	B6183-10	NUT, NYLOC FLANGE M10
14	B6183-12	NUT, NYLOC FLANGE M12
15	B801-1075	BOLT, CARRIAGE M10 X 75
16	B801-12120	BOLT, CARRIAGE M12 X 120
17	B893.1-40	SNAP RING 40
18	B893.2-56	RING, SNAP 56MM
19	B97.1-10	WASHER, FLAT M10

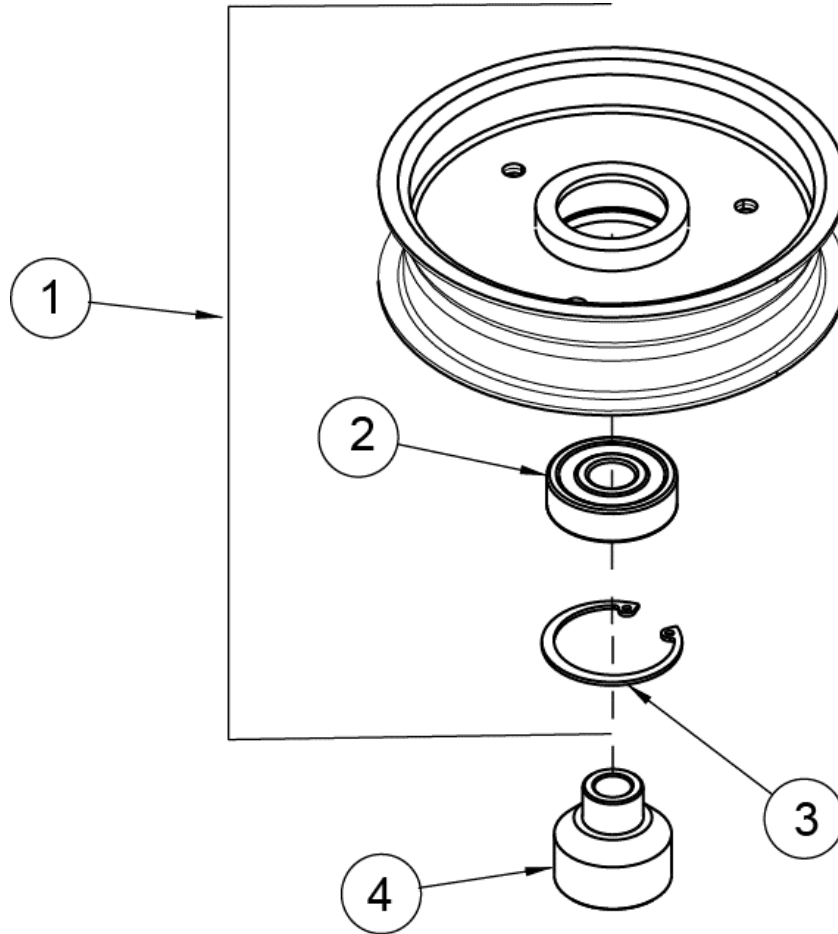
KEY SLOT DECK IDLER ASSEMBLY



KEY SLOT DECK IDLER ASSEMBLY

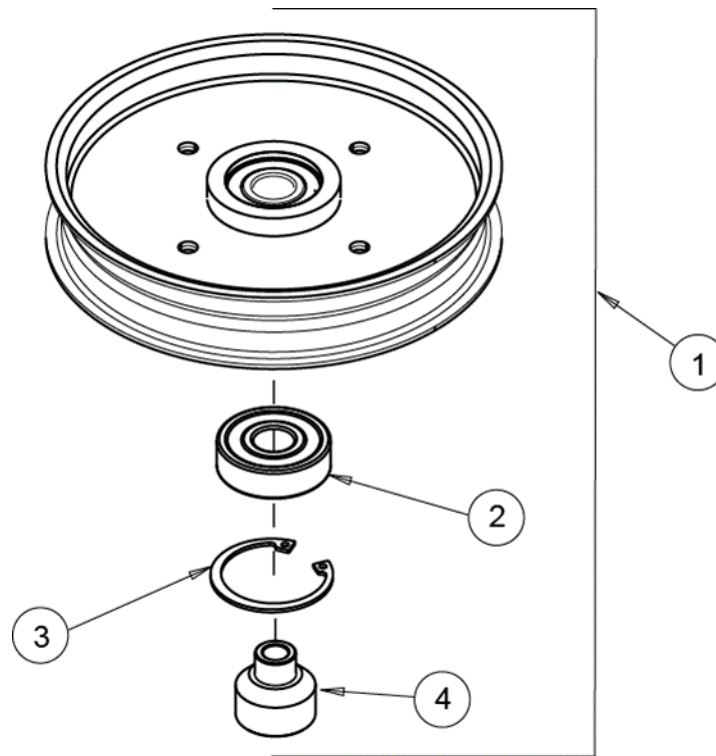
ITEM	PART NO.	DESCRIPTION
1	542134	ASM, PULLEY 150MM X 48MM W/BEARINGS
2	543096	SPACER, STEPPED
3	543099	CAP, DUST
4	543236	BEARING, 30BD40DF2
5	543462	SPACER, PULLEY
6	682116	ASM, KEY SLOT DECK IDLER
7	683233	SPACER, KEY SLOT TALL IDLER
8	5201077	BUSHING
9	B276-6203RS	BEARING 6203-2RS
10	B5782-1070	HEX HD BOLT M10X70
11	B5787-1050	SCREW, HH FLANGED M10 X 50
12	B6177-10	NUT, FLANGED M10
13	B6183-10	NUT, NYLOC FLANGE M10
14	B6183-12	NUT, NYLOC FLANGE M12
15	B801-1075	BOLT, CARRIAGE M10 X 75
16	B801-12120	BOLT, CARRIAGE M12 X 120
17	B893.1-40	SNAP RING 40MM
18	B893.2-56	RING, SNAP 56MM
19	B97.1-10	WASHER, FLAT M10

DECK IDLER 150MM



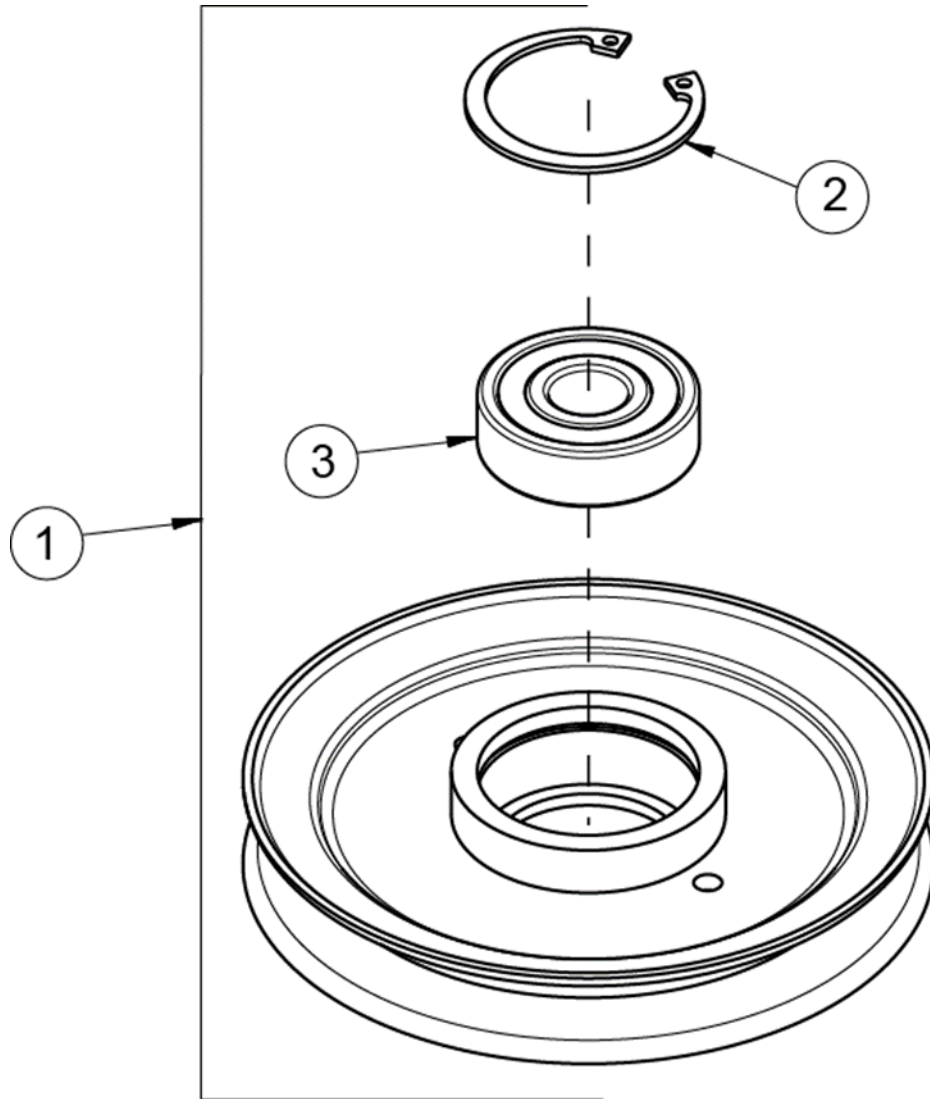
ITEM	PART NO.	DESCRIPTION
1	542138	IDLER, FLAT 150MM, W/BEARING
2	B276-6303RS	BEARING 6303-2RS
3	B893.1-47	SNAP RING 47
4	543450	STAND-OFF, LG IDLER

DECK IDLER 175MM



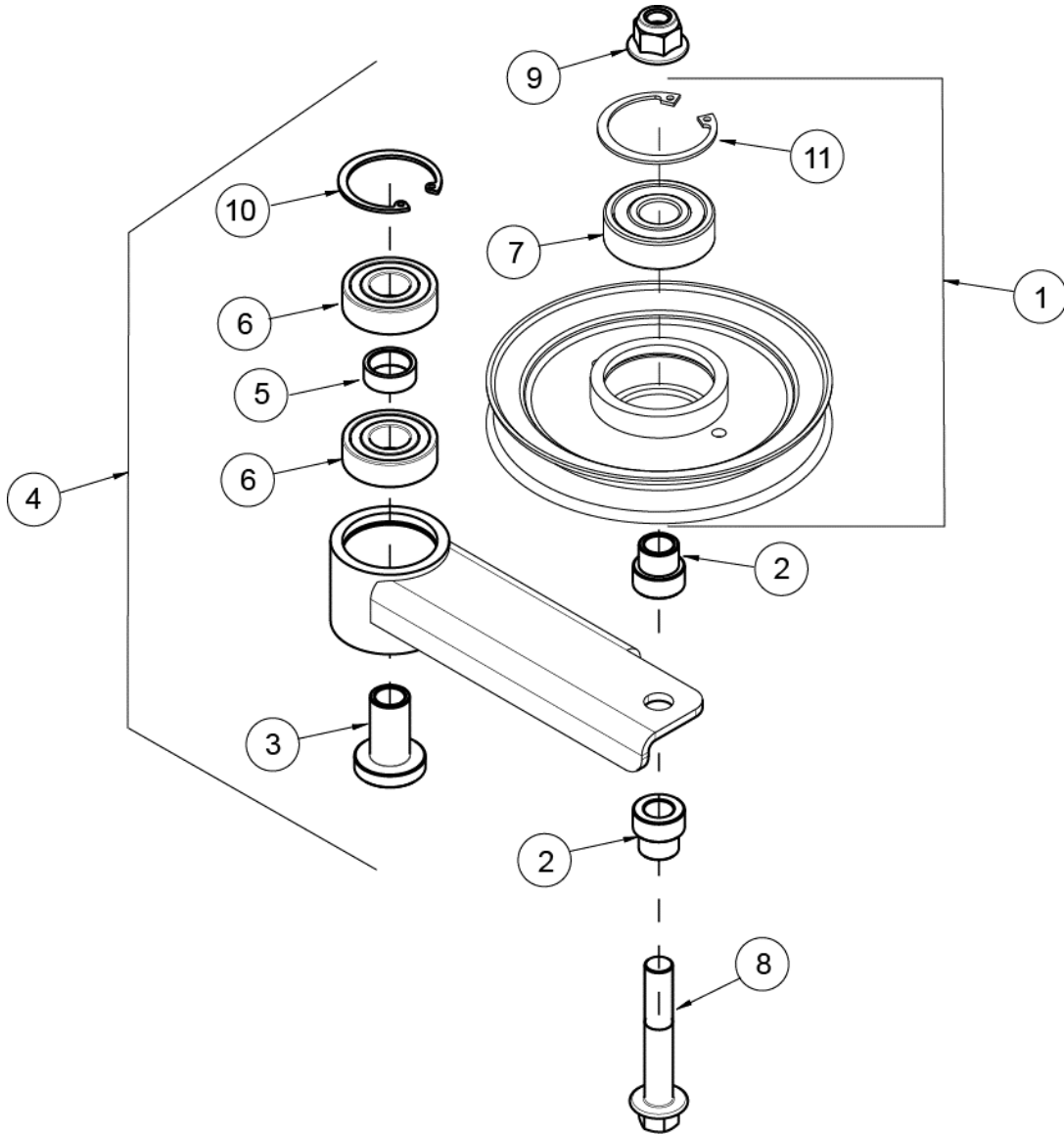
ITEM	PART NO.	DESCRIPTION
1	542125	IDLER, FLAT 175MM W/NEW SPACER
2	B276-6303RS	BEARING 6303-2RS
3	B893.2-47	SNAP RING 47
4	543450	SPACER, IDLER

6" PULLEY ASSEMBLY



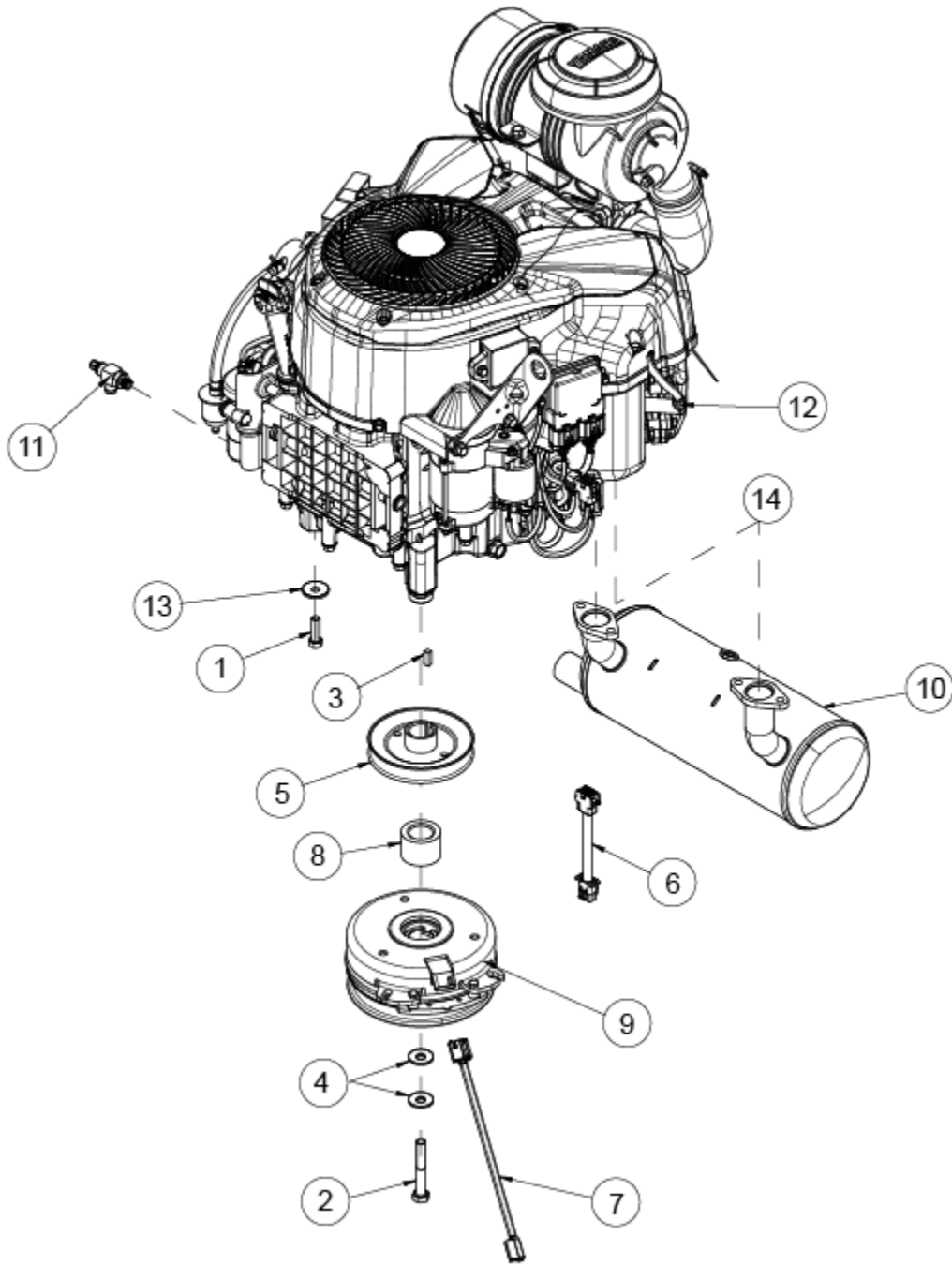
ITEM	PART NO.	DESCRIPTION
1	652053	ASM, 6" GROOVE PULLEY W/BEARING
2	B893.2-47	SNAP RING 47
3	B276-6303RS	BEARING 6303-2RS

IDLER ARM ASSEMBLY



ITEM	PART NO.	DESCRIPTION
1	652053	ASM, 6" GROOVE PULLEY W/BEARING
2	653036	SPACER, PULLEY
3	653040	SPACER, DECK IDLER
4	682119	ASM, IDLER ARM W/BEARINGS
5	5201077	BUSHING
6	B276-6203RS	BEARING 6203-2RS
7	B276-6303RS	BEARING 6303-2RS
8	B5787-1270	SCREW, HH FLANGED MM12 X 70
9	B6183-12	NUT, NYLOC FLANGE M12
10	B893.1-40	SNAP RING 40
11	B893.2-47	SNAP RING 47

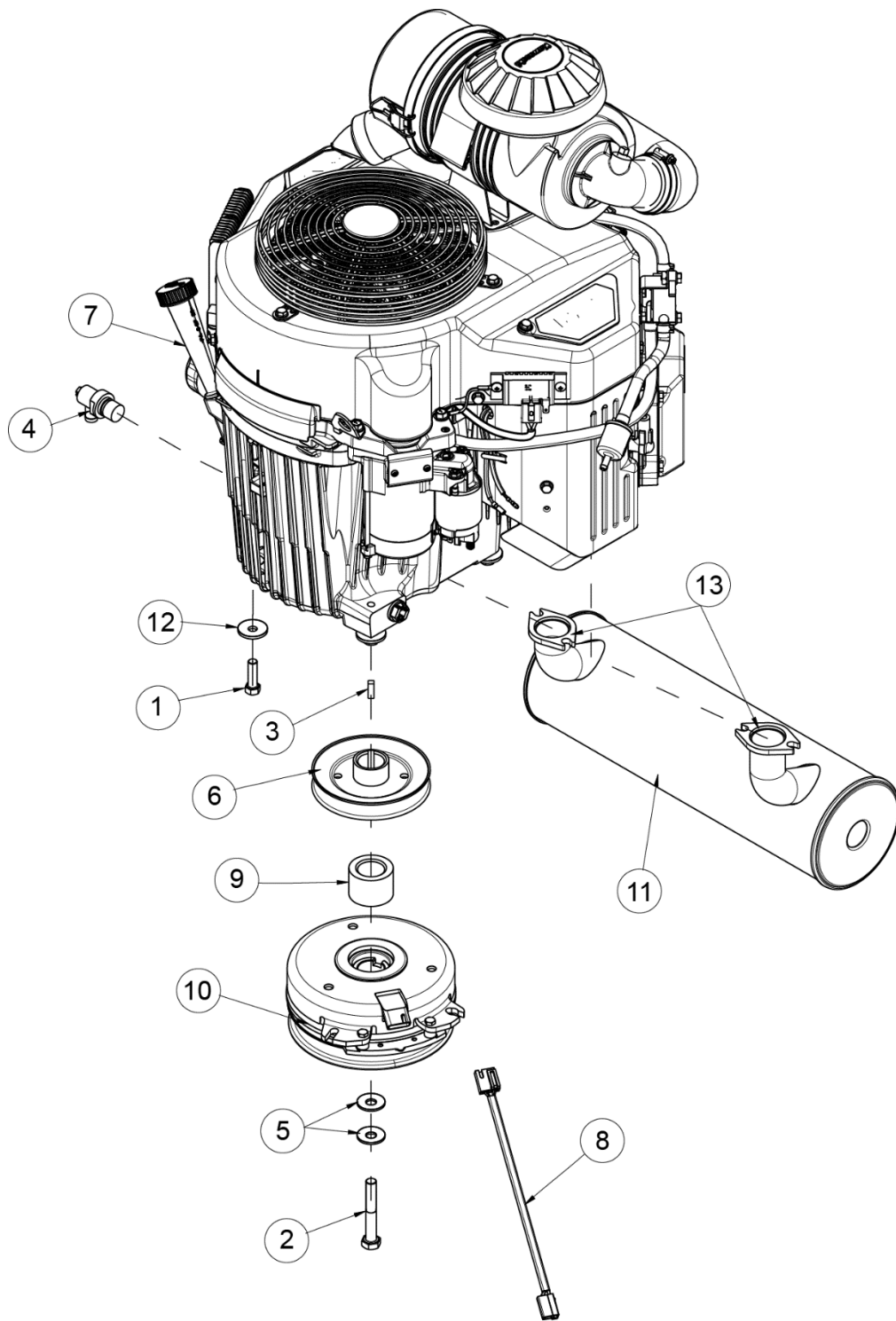
ENGINE ASSEMBLY MX800 / MX825



ENGINE ASSEMBLY MX800 / MX825

ITEM	PART NO.	DESCRIPTION
1	100293	3/8-16 X 1-1/4 HHCS
2	100536	7/16-20 X 3 HHCS
3	107258	1/4 X 1/4 X 3/4 MACH KEY
4	423069	SPRING DISC. WASHER - 7/16
5	543411	SHEAVE, HYDRO DRIVE - 5400
6	543448	EFI JUMPER HARNESS
7	603083	CLUTCH ADAPT. HARNESS
8	683084	SPACER, CLUTCH
9	683085	CLUTCH, 250LB
10	683112	MUFFLER, YAMAHA MX EFI
11	683115	VALVE, M12 X 1.5 OIL DRAIN
12	FOR REFERENCE ONLY	ENGINE, YAMAHA MX-800/MX-825 EFI (1-1/8 X 108.8MM)
13	753027	SPRING DISC WASHER
14	683264	GASKET, YAMAHA MUFFLER

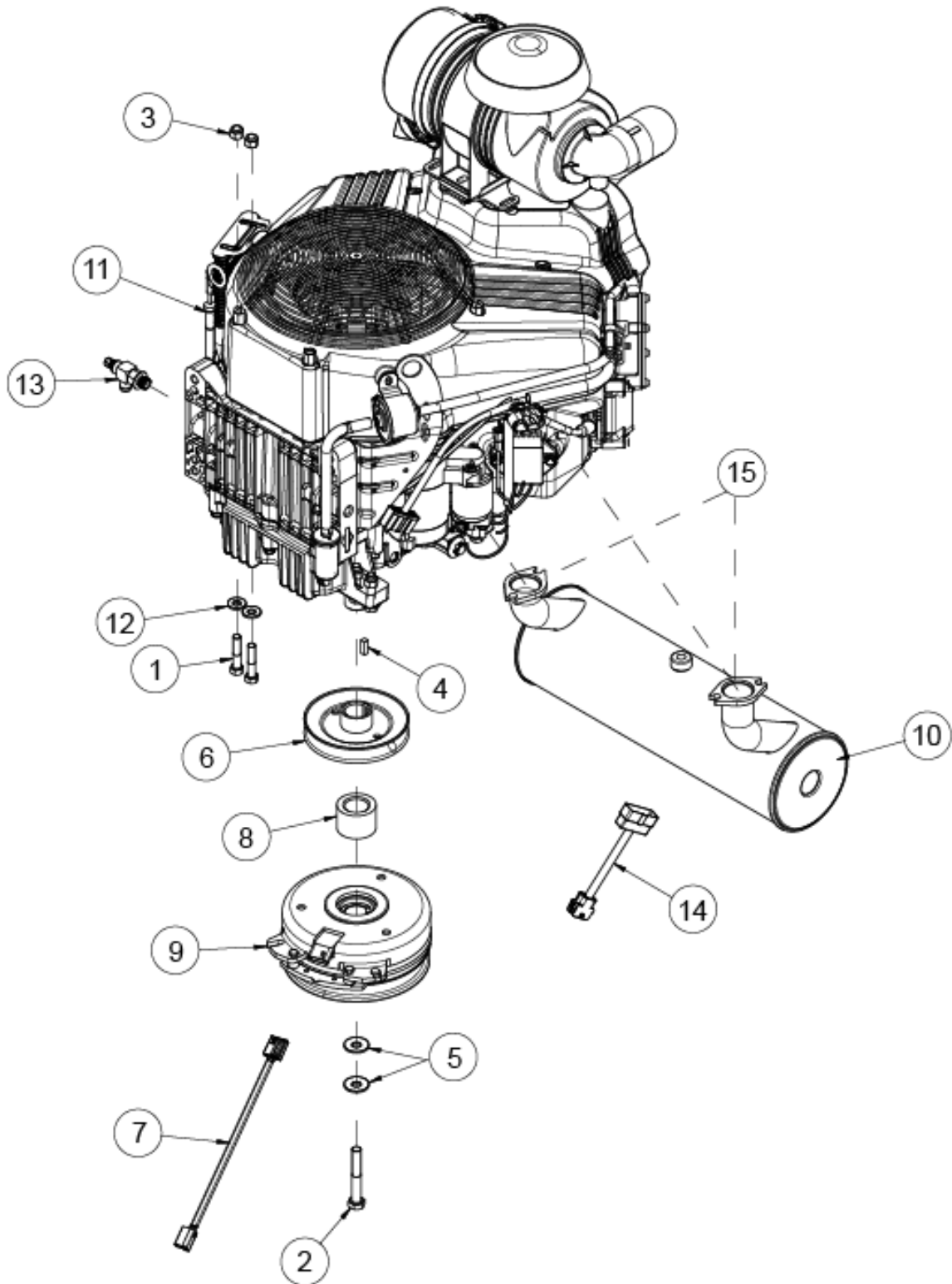
ENGINE ASSEMBLY FX921 / FX1000



ENGINE ASSEMBLY FX921 / FX1000

ITEM	PART NO.	DESCRIPTION
1	100293	3/8-16 X 1-1/4 HHCS
2	100536	7/16-20 X 3 HHCS
3	107258	1/4 X 1/4 X 3/4 MACH KEY
4	343146	90 DEGREE DRAIN -KAW BLK
5	423069	SPRING DISC. WASHER - 7/16
6	543411	SHEAVE, HYDRO DRIVE - 5400
7	FOR REFERENCE ONLY	ENGINE, FX921V / FX1000
8	603083	CLUTCH ADAPT. HARNESS
9	683084	SPACER, CLUTCH
10	683085	CLUTCH, 250LB
11	683089	MUFFLER, KAWASAKI 999CC
12	753027	SPRING DISC WASHER
13	543640	MUFFLER GASKET - KAW921V

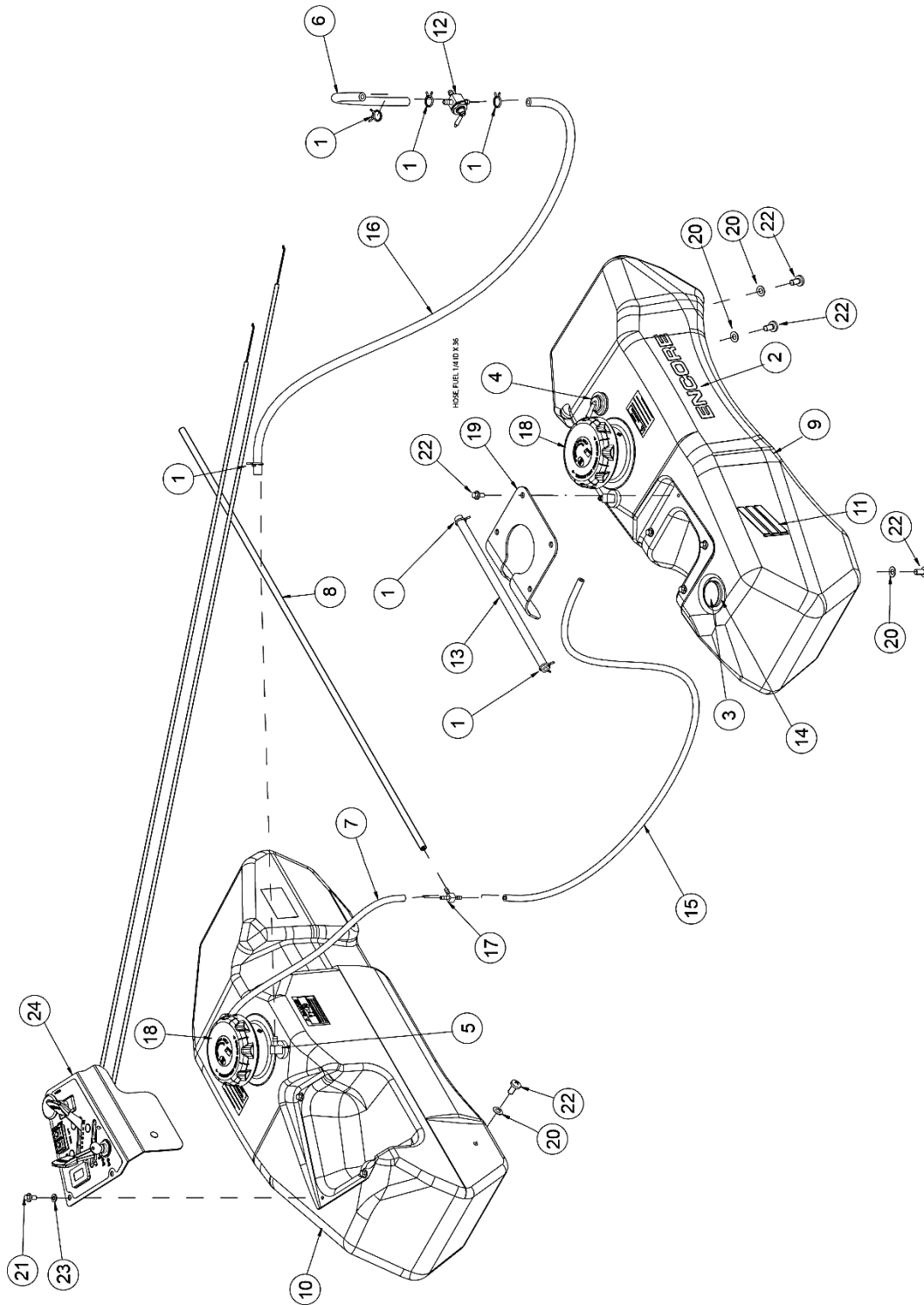
ENGINE ASSEMBLY B&S 37



ENGINE ASSEMBLY B&S 37

ITEM	PART NO.	DESCRIPTION
1	100294	3/8-16 X 1-1/2 HHCS
2	100536	7/16-20 X 3 HHCS
3	104257	3/8-16 HEX NYLOC NUT
4	107258	1/4 X 1/4 X 3/4 MACH KEY
5	423069	SPRING DISC. WASHER - 7/16
6	543411	SHEAVE, HYDRO DRIVE - 5400
7	603083	CLUTCH ADAPT. HARNESS
8	683084	SPACER, CLUTCH
9	683085	CLUTCH, 250LB
10	683090	MUFFLER, BRIGGS BIG BLOCK EFI
11	FOR REFERENCE ONLY	ENGINE, B&S 37 EFI
12	683237	WASHER, .38 X .875 DISC SPRING
13	683238	VALVE, M14 X 1.5 OIL DRAIN
14	683259	HARNESS, JUMPER
15	683265	GASKET, B&S BIG BLOCK MUFFLER

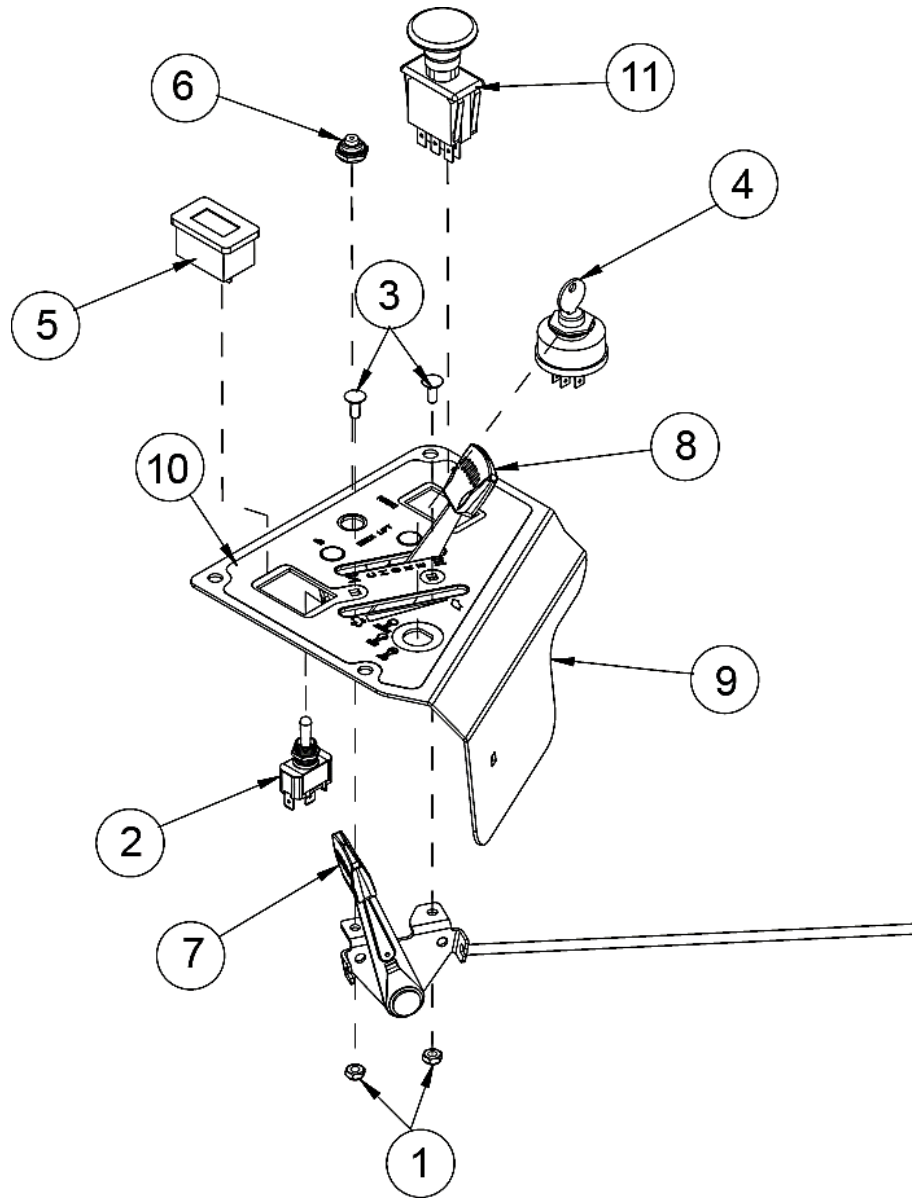
FUEL ASSEMBLY - KAWASAKI



FUEL ASSEMBLY - KAWASKI

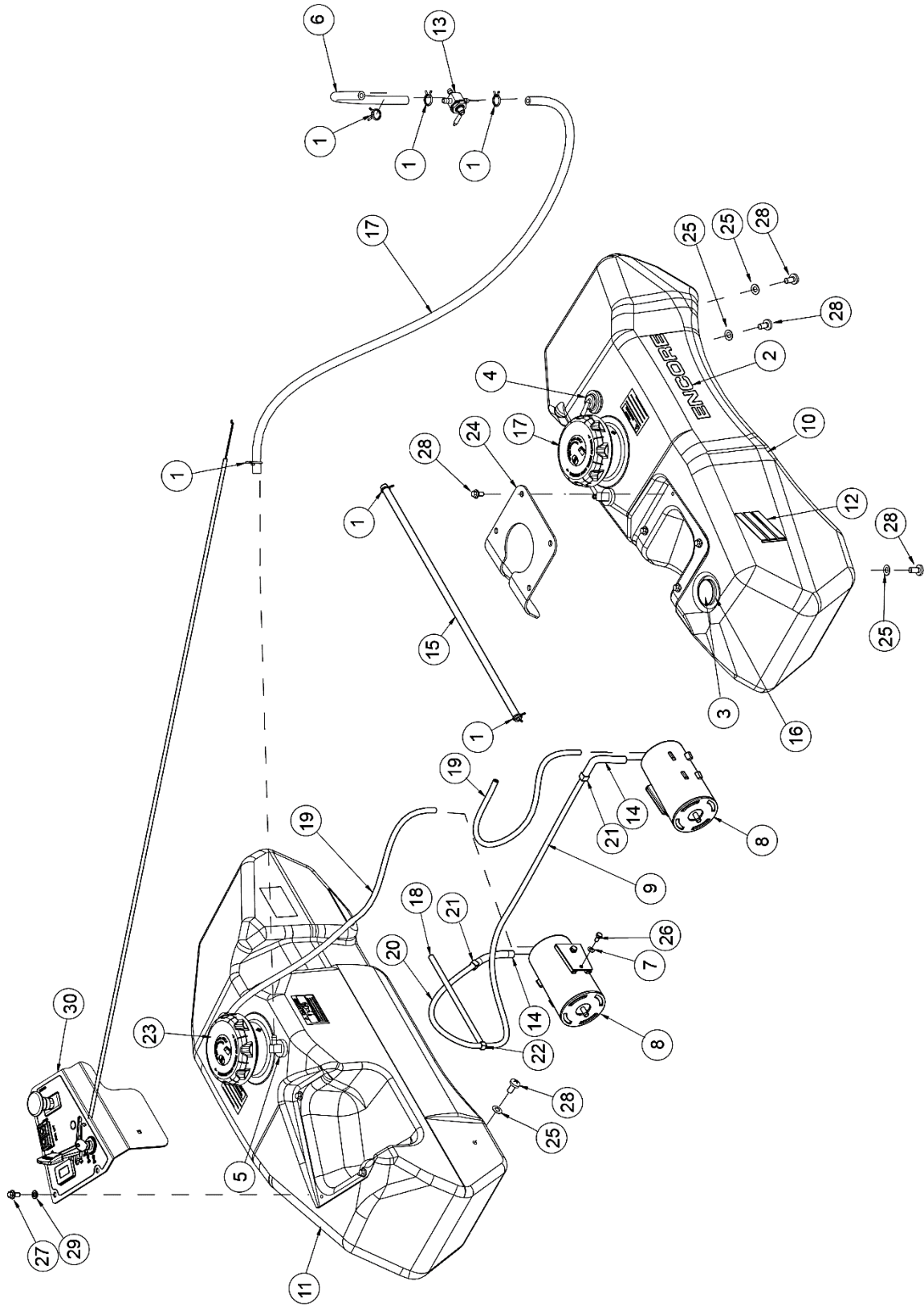
ITEM	PART NO.	DESCRIPTION
1	363098	CLAMP, FUEL LINE 1/4 ID
2	363243	SMALL ENCORE LABEL
3	543278	GAUGE, FUEL 8.5"
4	543283	ASM, FUEL VENT W/GROMMET
5	543306	FITTING, 90° FUEL W/TUBE 10"
6	543323	HOSE, FUEL 1/4 ID X 14.5
7	543361	HOSE, VENT 3/16 ID X 15
8	543362	HOSE, VENT 3/16 ID X 36
9	543375	ASM, FUEL TANK LH
10	543376	ASM, FUEL TANK RH
11	543406	DECAL, ENCORE LOGO
12	583050	FUEL VALVE
13	583470	HOSE, FUEL 1/4 ID X 13
14	632051	KIT, FUEL GAUGE GROMMET
15	683006	HOSE, VENT 3/16 ID X 42
16	683086	HOSE, FUEL 1/4 ID X 36
17	5204010	TEE, HOSE 3/16 ID
18	5204019	GAS CAP-EPA
19	543277-1	CUP HOLDER, BLACK
20	B1972-A16	WASHER, SPRING DISC A16-1
21	B5787-612	SCREW, FLANGED HH M6 X 12
22	B818-816	SCREW, PAN HEAD PHILLIPS M8 X 16
23	B97.1-6	WASHER 6
24	FOR REFERENCE ONLY	CONTROL PANEL – SEE DETAIL PG 55

CONTROL PANEL ASSEMBLY - KAWASAKI



ITEM	PART NO.	DESCRIPTION
1	104252	#10-24 HEX NYLOC NUT
2	683305	SWITCH, TOGGLE
3	107527	BOLT, CARRIAGE #10-24 X 1/2
4	423027	IGNITION SWITCH
5	453417	METER, MS HOUR
6	683306	SEALING BOOT, TOGGLE SWITCH
7	683007	CABLE, THROTTLE
8	683008	CABLE, CHOKE
9	682080	ASM, CONTROL PANEL W/DECAL
10	683194	DECAL, CONTROL PANEL
11	4807005	SWITCH, PTO

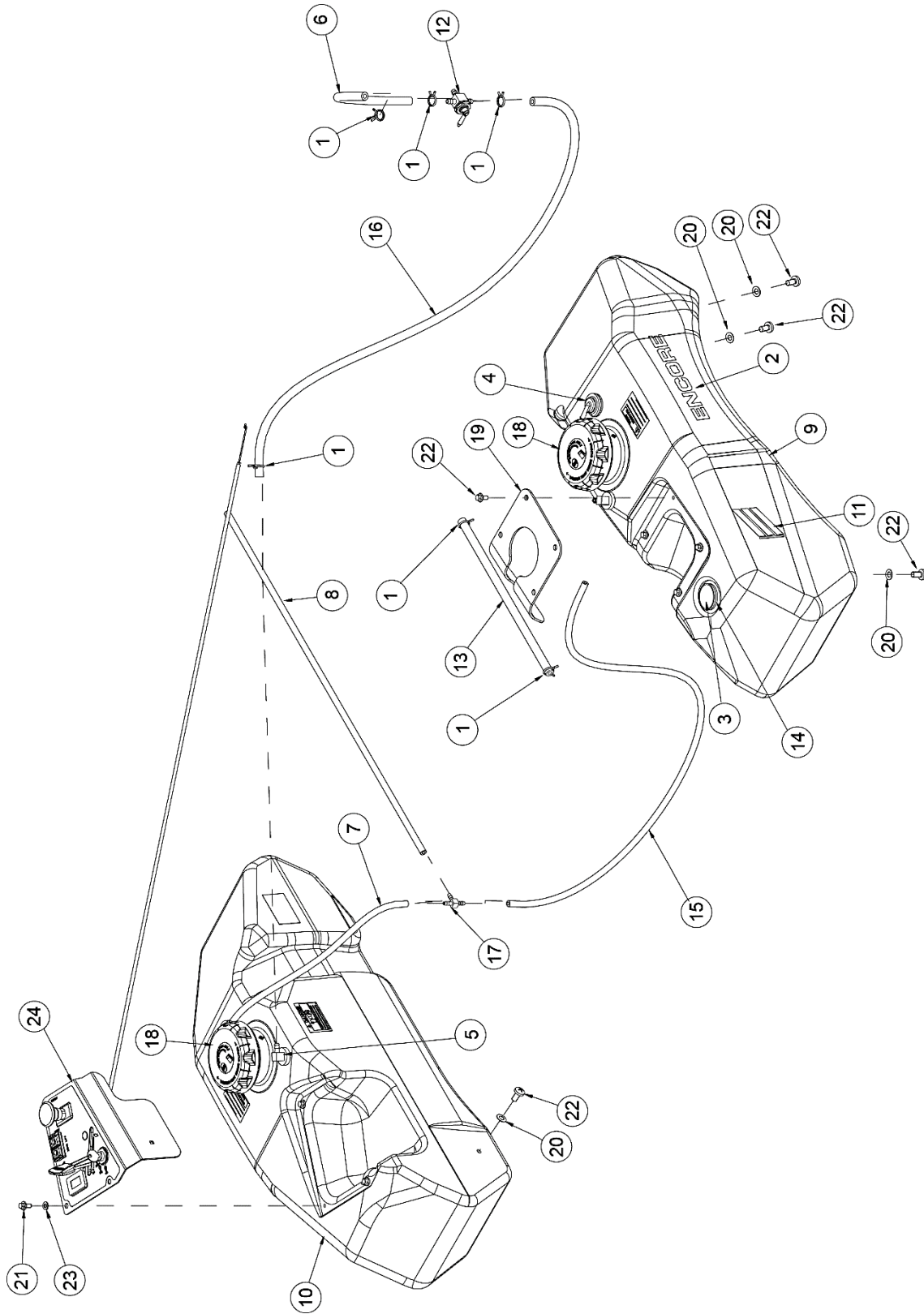
FUEL ASSEMBLY – YAMAHA EFI



FUEL ASSEMBLY – YAMAHA EFI

ITEM	PART NO.	DESCRIPTION
1	363098	CLAMP, FUEL LINE 1/4 ID
2	363243	SMALL ENCORE LABEL
3	543278	GAUGE, FUEL 8.5"
4	543283	ASM, FUEL VENT W/GROMMET
5	543306	FITTING, 90° FUEL W/TUBE 10"
6	543323	HOSE, FUEL 1/4 ID X 14.5
7	543326	WASHER, SPRING DISC 1/4
8	543363	CANISTER, CARBON 680CC
9	543371	HOSE, VENT 3/16 ID X 26
10	543375	ASM, FUEL TANK LH
11	543376	ASM, FUEL TANK RH
12	543406	DECAL, ENCORE LOGO
13	583050	FUEL VALVE
14	623414	HOSE, FUEL 1/4" ID X 4"
15	623415	1/4" FUEL LINE - 24"
16	632051	KIT, FUEL GAUGE GROMMET
17	683086	HOSE, FUEL 1/4 ID X 36
18	683261	HOSE, VENT 3/16 X 9
19	683262	HOSE, VENT 3/16 ID X 28
20	683263	HOSE, VENT 3/16 ID X 14
21	5000130	REDUCER, HOSE 3/16 - 1/4
22	5204010	TEE, HOSE 3/16 ID
23	5204019	GAS CAP-EPA
24	543277-1	CUP HOLDER, BLACK
25	B1972-A16	WASHER, SPRING DISC A16-1
26	B5783-612	SCREW, HH TAP M6X12
27	B5787-612	SCREW, FLANGED HH M6 X 12
28	B818-816	SCREW, PAN HEAD PHILLIPS M8 X 16
29	B97.1-6	WASHER 6
30	FOR REFERENCE ONLY	ASM, CONTROL PANEL – FOR DETAIL SEE PG 60

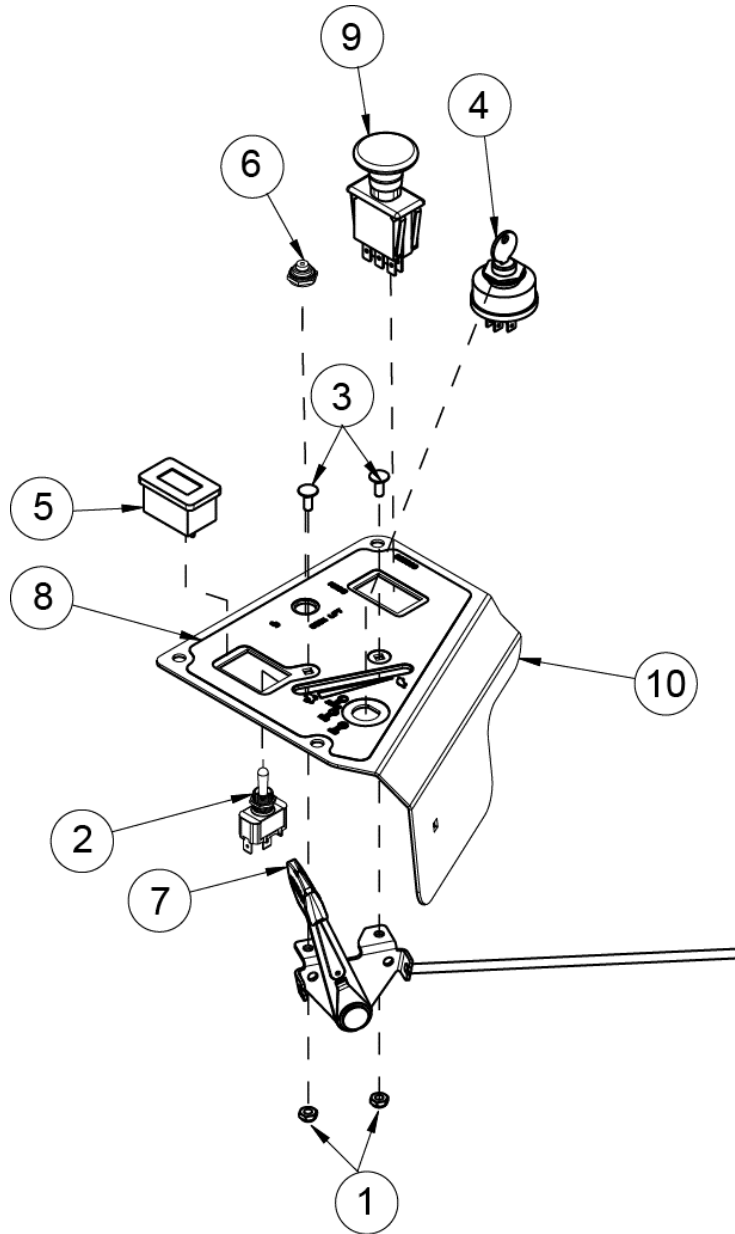
FUEL ASSEMBLY – B&S EFI



FUEL ASSEMBLY B&S EFI

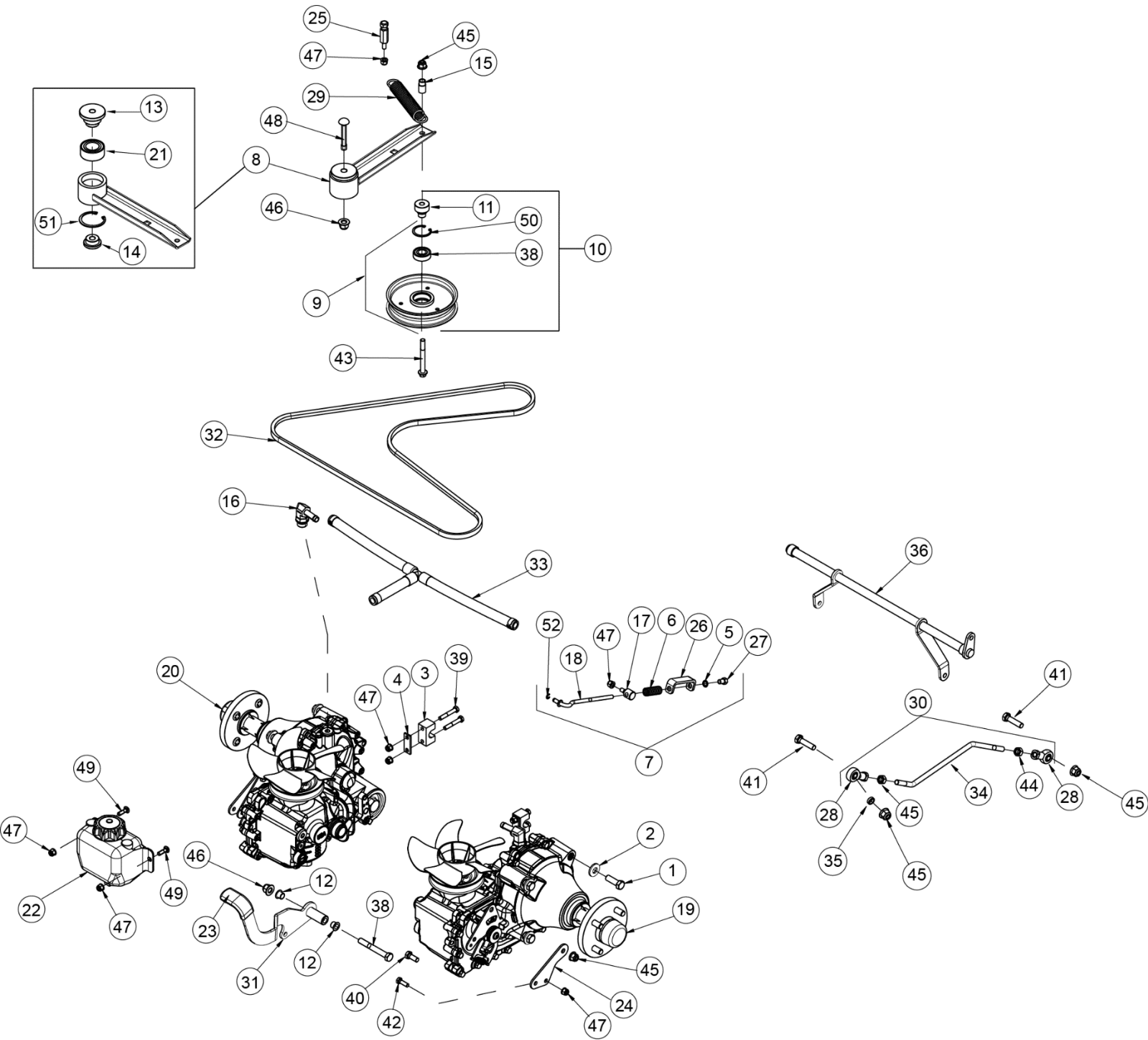
ITEM	PART NO.	DESCRIPTION
1	363098	CLAMP, FUEL LINE 1/4 ID
2	363243	SMALL ENCORE LABEL
3	543278	GAUGE, FUEL 8.5"
4	543283	ASM, FUEL VENT W/GROMMET
5	543306	FITTING, 90° FUEL W/TUBE 10"
6	543323	HOSE, FUEL 1/4 ID X 14.5
7	543361	HOSE, VENT 3/16 ID X 15
8	623299	LINE, VENT 3/16 ID X 31
9	543375	ASM, FUEL TANK LH
10	543376	ASM, FUEL TANK RH
11	543406	DECAL, ENCORE LOGO
12	583050	FUEL VALVE
13	583470	HOSE, FUEL 1/4 ID X 13
14	632051	KIT, FUEL GAUGE GROMMET
15	683006	HOSE, VENT 3/16 ID X 42
16	5204010	TEE, HOSE 3/16 ID
17	5204019	GAS CAP-EPA
18	543277-1	CUP HOLDER, BLACK
19	B1972-A16	WASHER, SPRING DISC A16-1
20	B5787-612	SCREW, FLANGED HH M6 X 12
21	B818-816	SCREW, PAN HEAD PHILLIPS M8 X 16
22	B97.1-6	WASHER 6
23	683086	HOSE, FUEL 1/4 ID X 36
24	FOR REFERENCE ONLY	CONTROL PANEL – SEE DETAIL PG 60

CONTROL PANEL ASSEMBLY – B&S/YAMAHA EFI



ITEM	PART NO.	DESCRIPTION
1	104252	#10-24 HEX NYLOC NUT
2	683305	SWITCH, TOGGLE
3	107527	BOLT, CARRIAGE #10-24 X 1/2
4	423027	IGNITION SWITCH
5	453417	METER, MS HOUR
6	683306	SEALING BOOT, TOGGLE SWITCH
7	683247	CABLE, THROTTLE
8	683258	DECAL, EFI CONTROL PANEL
9	4807005	SWITCH, PTO
10	683193-1	PANEL, CONTROL

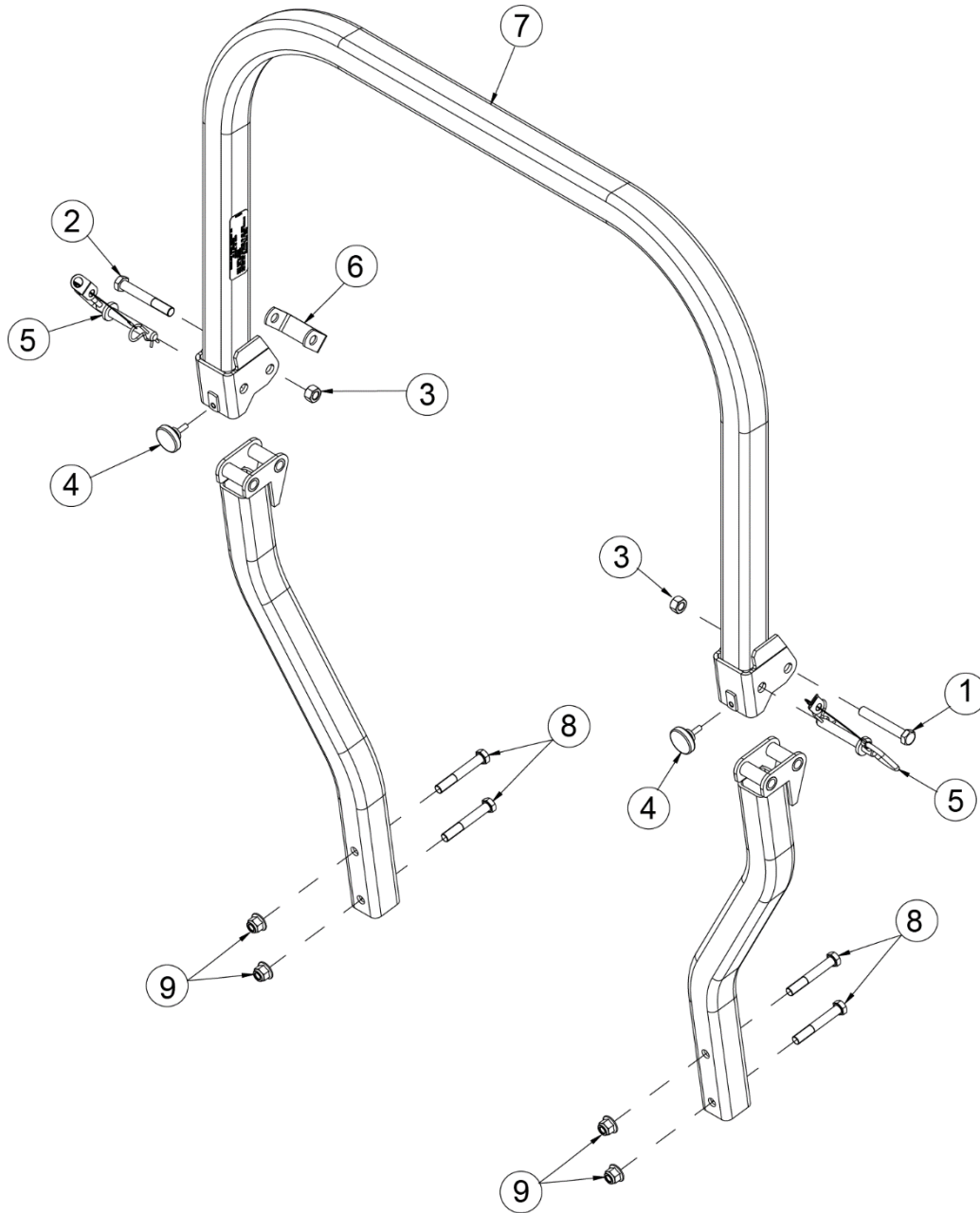
HYDRO ASSEMBLY



HYDRO ASSEMBLY

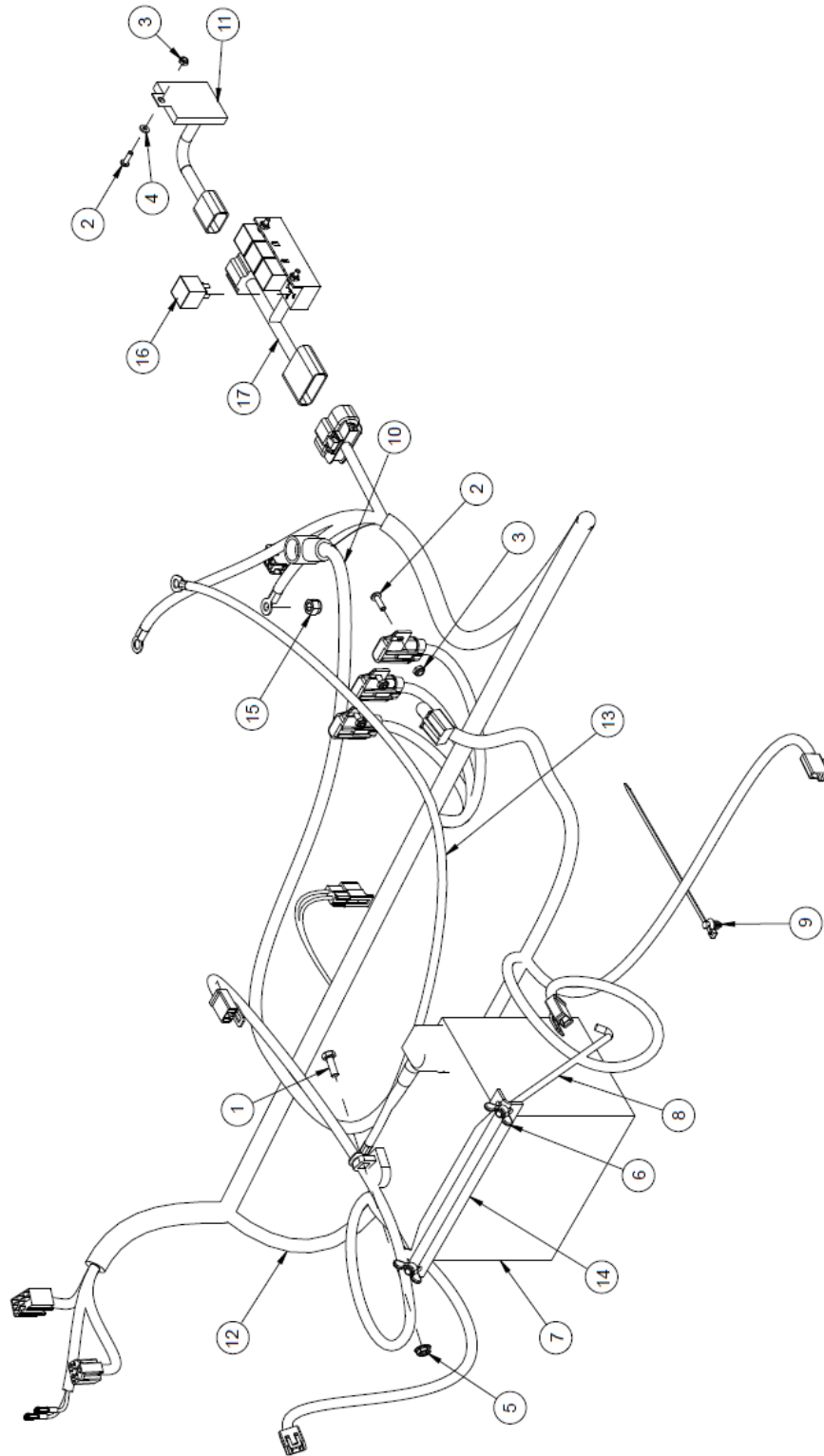
ITEM	PART NO.	DESCRIPTION
1	100327	1/2-13 X 1-1/2 HHCS
2	105502	WASHER, SPRING DISC 1/2
3	353028	PIVOT BLOCK
4	353047	PIVOT BLOCK PLATE
5	363177	3/8 PUSH NUT
6	523024	SPRING, COMPRESSION
7	542094	ASM, BRAKE LINK 5400
8	542126	ASM, HYDRO IDLER 5400
9	542138	WLD, FLAT IDLER 150MM W/BRG & SNAP RING
10	542148	ASM, 150MM FLAT IDLER W/STEP SPACER
11	543098	SPACER, IDLER
12	543154	BUSHING, MOTION CONTROL
13	543162	SPACER, STEPPED
14	543164	SPACER, STEPPED
15	543169	SPACER
16	543199	ADAPTER, HYDRAULIC 4601-08-10
17	543201	SWIVEL, BRAKE
18	543205	LINK, BRAKE 5400
19	543208	HYDRO, ZT 5400 LH
20	543209	HYDRO, ZT 5400 RH
21	543236	BEARING, 30BD40DF2
22	543285	TANK, HYDRO OVERFLOW 1 QT
23	543300	GRIP, PARK BRAKE
24	543315	EXTENSION, CONTROL ARM
25	543374	ANCHOR, SPRING 1.46
26	543386	RETAINER, BRAKE SPRING
27	543387	NUT, BRAKE SPRING
28	543430	END, SPHERICAL ROD M10
29	543520	EXTENSION SPRING
30	682068	ASM, BRAKE LINKAGE
31	682071	ASM, BRAKE LEVER
32	683100	BELT, PUMP
33	683113	ASM, HYDRO VENT
34	683190	ROD, LINKAGE BRAKE
35	4801302	SPACER
36	682042-1	WLD, CROSS SHAFT BRAKE
37	B276-6303RS	BEARING 6303-2RS
38	B5782-1290	HHCS, M12 X 90MM
39	B5782-850	SCREW, HH M8X50
40	B5783-1025	SCREW, HH TAP M10X25
41	B5783-1040	BOLT M10X40
42	B5783-825	HEX HD BOLT M8X25
43	B5787-1090	SCREW, HH FLANGE M10 X 90
44	B6170-10	NUT M10X1
45	B6183-10	NUT, NYLOC FLANGE M10
46	B6183-12	NUT, NYLOC FLANGE M12
47	B6183-8	NUT, FLANGED NYLOC M8
48	B801-1275	BOLT, CARRIAGE SN M12 X 75
49	B801-825	BOLT, CARRIAGE SN M8X25
50	B893.2-47	SNAP RING 47
51	B893.2-56	RING, SNAP 56MM
52	B896-6	E-CLIP 6

ROPS ASSEMBLY



ITEM	PART NO.	DESCRIPTION
1	100335	1/2-13 X 4 HHCS
2	100334	1/2-13 X 3-1/2 HHCS
3	104259	1/2-13 HEX NYLOC NUT
4	543261	KNOB, ROPS
5	543262	PIN, ROPS W/LANYARD
6	683158	ROPS STOP
7	684013	ROPS ASSEMBLY COMPLETE
8	B5782-1280	SCREW, HH M12 X 80
9	B6183-12	NUT, NYLOC FLANGE M12

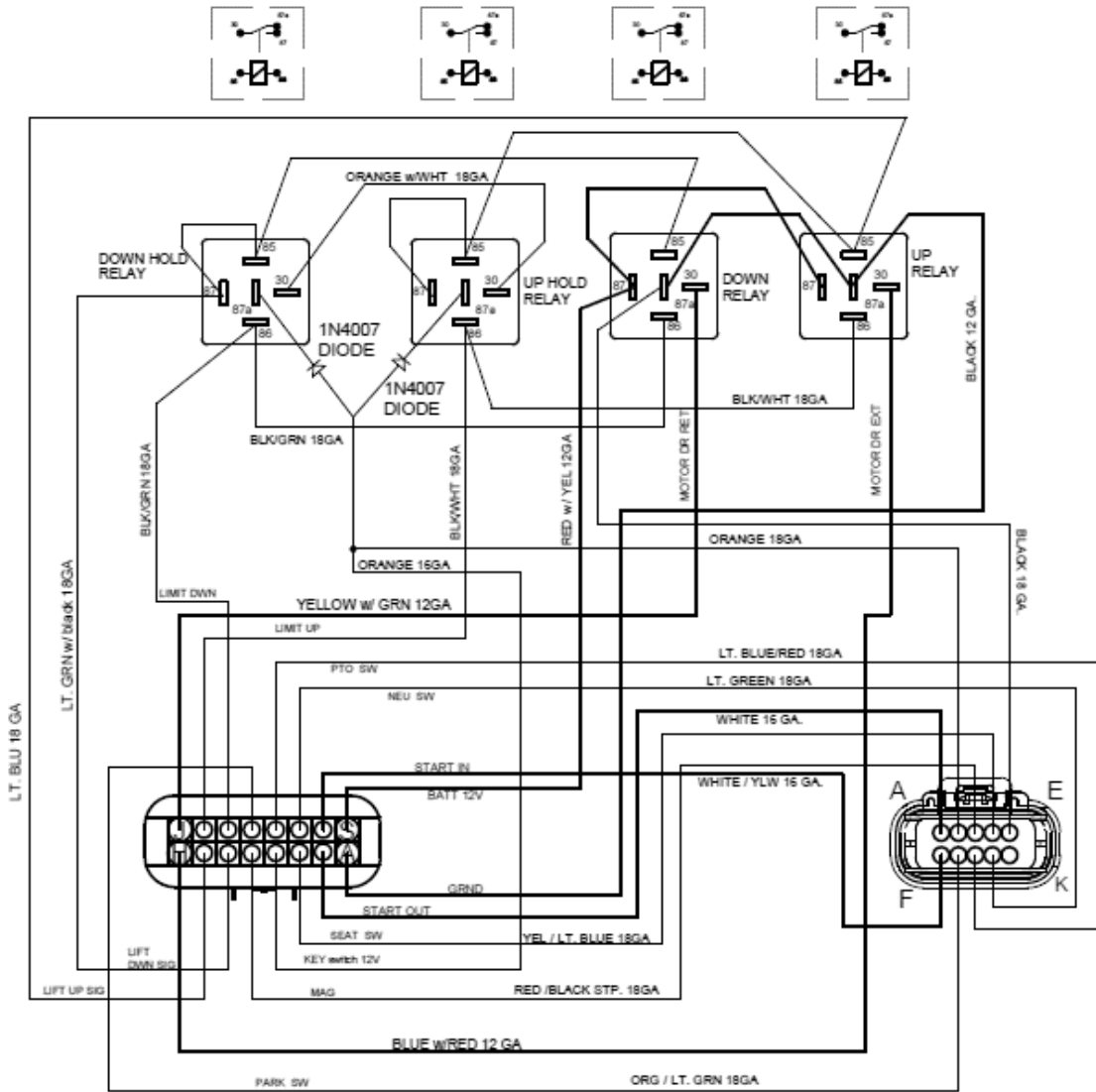
HARNESS/BATTERY ASSEMBLY



HARNESS/BATTERY ASSEMBLY

ITEM	PART NO.	DESCRIPTION
1	100252	1/4-20 X 3/4 HHCS
2	101039	#10-24 X 5/8 MACH SCREW
3	104252	#10-24 HEX NYLOC NUT
4	105507	3/16 POP RIVET BURR
5	109000	1/4-20 WHIZLOCK NUT
6	109012	1/4 WING NUT
7	FOR REFERENCE ONLY	BATTERY 12V
8	423172	BATTERY HOLD DOWN ROD - PLATED
9	543389	CLIP, LOOM ZIP-TIE
10	682136	ASM, BATTERY CABLE POSITIVE
11	443063	MODULE, PT SAFETY
12	683114	HARNESS, WIRE
13	683256	CABLE, 4 AWG NEGATIVE BATTERY
14	453419-1	BATTERY HOLD DOWN - BLACK
15	B6182-8	NUT, NYLOC M8
16	5208042	12V RELAY (USA)
17	683150	HARNESS, LIFT CONVERSION

WIRING HARNESS



16 PIN CONNECTOR

WIRE COLOR	PIN	FUNCTION
BLACK	A	GROUND
WHITE	B	START OUT
YEL / LT. BLUE	C	SEAT SWITCH
ORANGE	D	KEY SWITCH 12V
RED /BLACK STP.	E	MAG
LT. GRN w/ BLK	F	LIFT DOWN SIGNAL
LT. BLU	G	LIFT UP SIGNAL
BLUE w/RED	H	MOTOR DR EXTEND
YELLOW w/ GRN	J	MOTOR DR RETRACT
BLK/WHT	K	LIMIT UP
BLK/GRN	L	LIMIT DOWN
ORG / LT. GRN	M	PARK SWITCH
LT. BLUE/RED	N	PTO SWITCH
LT. GREEN	P	NEUTRAL SWITCH
WHITE / YWL	R	START IN
RED w/ YEL	S	BATT 12V

10 PIN CONNECTOR

WIRE COLOR	PIN	FUNCTION
WHITE	A	START OUT
ORANGE	B	KEY SWITCH 12V
RED /BLACK STP.	C	MAG
YEL / LT. BLUE	D	SEAT SWITCH
BLACK	E	GROUND
WHITE / YWL	F	START IN
ORG / LT. GRN	G	PARK SWITCH
LT. BLUE/RED	H	PTO SWITCH
LT. GREEN	J	NEUTRAL SWITCH
	K	OPEN

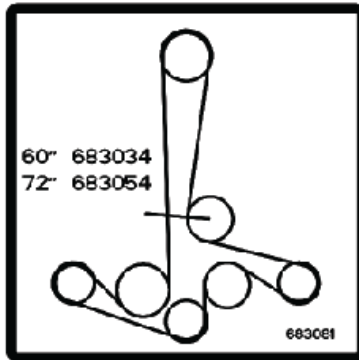
DECAL ASSEMBLY

⚠ WARNING

DO NOT OPERATE WITHOUT DISCHARGE DEFLECTOR, ENTIRE GRASS COLLECTION SYSTEM, OR MULCH KIT IN PLACE. DO NOT REMOVE GRASS CATCHER UNTIL BLADES HAVE STOPPED.

3307

8307



683081

⚠ CAUTION

TO REDUCE THE RISK OF INJURY
DO NOT OPERATE MOWER UNLESS
THIS GUARD IS IN ITS PROPER PLACE



8008

⚠ CAUTION

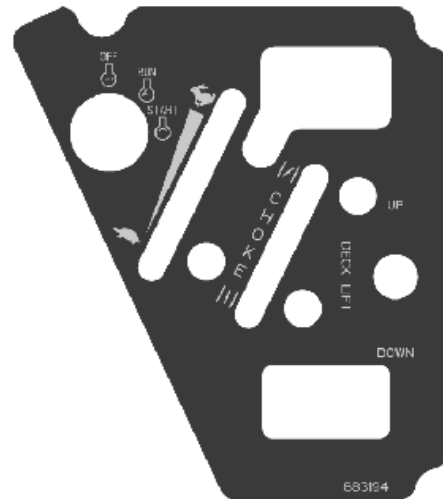
MUFFLER AND SHIELDS
MAY EXCEED 150°F

8318

DANGER

KEEP HANDS and FEET AWAY

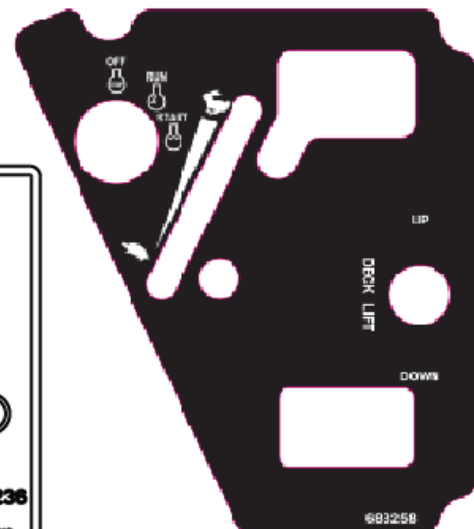
363023



683194



543433



683258

**ANTI-SCALP ROLLER
ADJUSTMENT**

CUTTING HEIGHT

- 1.50
- 2.25
- 3.00

FOR MAXIMUM FLOTATION, ROLLERS MAY BE POSITIONED LOWER, BUT MUST MAINTAIN A MINIMUM OF 1/4" GROUND CLEARANCE. NEVER POSITION THE ROLLERS TO SUPPORT THE MOWER DECK.

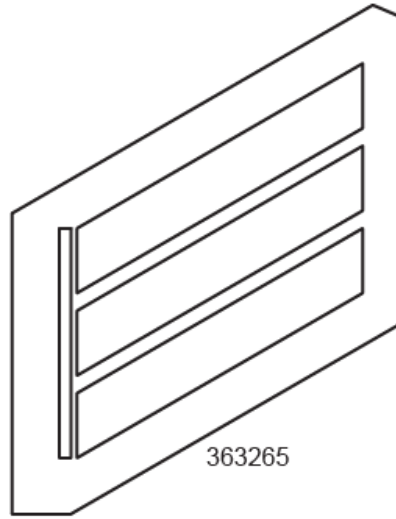
540392

543392

DECAL ASSEMBLY



593453



363265

- 5.25
- 5.00
- 4.75
- 4.50
- 4.25
- 4.00
- 3.75
- 3.50
- 3.25
- 3.00
- 2.75
- 2.50
- 2.25
- 2.00
- 1.75
- 1.50

683168



583537



363243



543470



453389



453390



543471

DECAL ASSEMBLY



543402



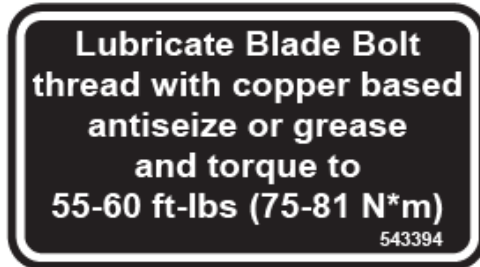
543391



8303



543397



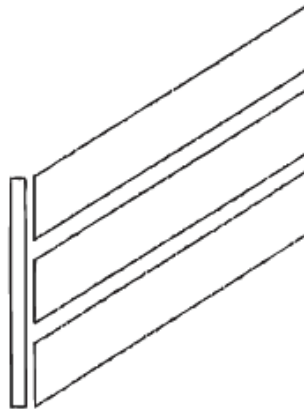
543394



8304



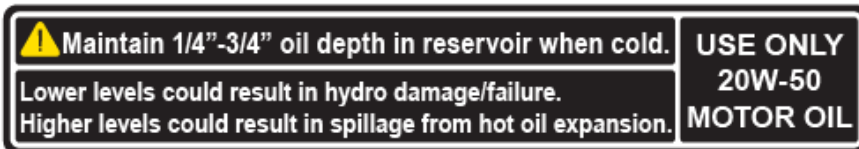
8324



543406



583193



543396



543380



543401



ENCORE