



PARTS MANUAL

**EE48FR691V32SS
EE52FR691V32SS
EE60FR730V32SS**



WWW.ENCOREEQUIPMENT.COM

401 COMMERCE STREET

BEATRICE, NE 68310

800-267-4255

FAX – 402-223-4103

Contents

AVAILABLE ACCESSORIES	6
48" CASTER ASSEMBLY	7
52" – 60" CASTER ASSEMBLY	8
FRAME ASSEMBLY.....	9
LOWER CROSS SHAFT ASSEMBLY.....	12
TWO AXIS CONTROL ASSEMBLY	14
SEAT ASSEMBLY.....	17
48" REAR TIRE ASSEMBLY	18
52" – 60" REAR TIRE ASSEMBLY.....	19
DECK LIFT ASSEMBLY.....	20
48" DECK ASSEMBLY.....	22
52" DECK ASSEMBLY.....	24
60" DECK ASSEMBLY.....	26
SPINDLE HOUSING ASSEMBLY	28
DECK IDLER ASSEMBLY.....	29
DECK IDLER	31
BRAKE CONTROL GROUP.....	32
ENGINE ASSEMBLY FR691	34
ENGINE ASSEMBLY FR730	36
FUEL ASSEMBLY	38
3200 HYDRO ASSEMBLY.....	40
ROPS ASSEMBLY	42
HARNES/BATTERY GROUP	43
WIRING HARNESS	45
DECAL ASSEMBLY	46

AVAILABLE ACCESSORIES

FITS MODELS:

EE48FR691V32SS

MULCH KIT:

461025

48" MULCH KIT

GRASS CATCHER ASSEMBLY

5101305

48" GRASS CATCHER W/WEIGHTS

632078

48" BLOWER

632093

48" COLLECTION TUBE

FITS MODELS:

EE52FR691V32SS

MULCH KIT:

451004

52" MULCH KIT

GRASS CATCHER ASSEMBLY:

5101305

52" GRASS CATCHER W/WEIGHTS

632074

52" BLOWER

542119

52" COLLECTION TUBE

FITS MODELS:

EE60FR730V32SS

MULCH KIT:

631027

60" MULCH KIT

GRASS CATCHER ASSEMBLY:

632086

60" GRASS CATCHER W/WEIGHTS

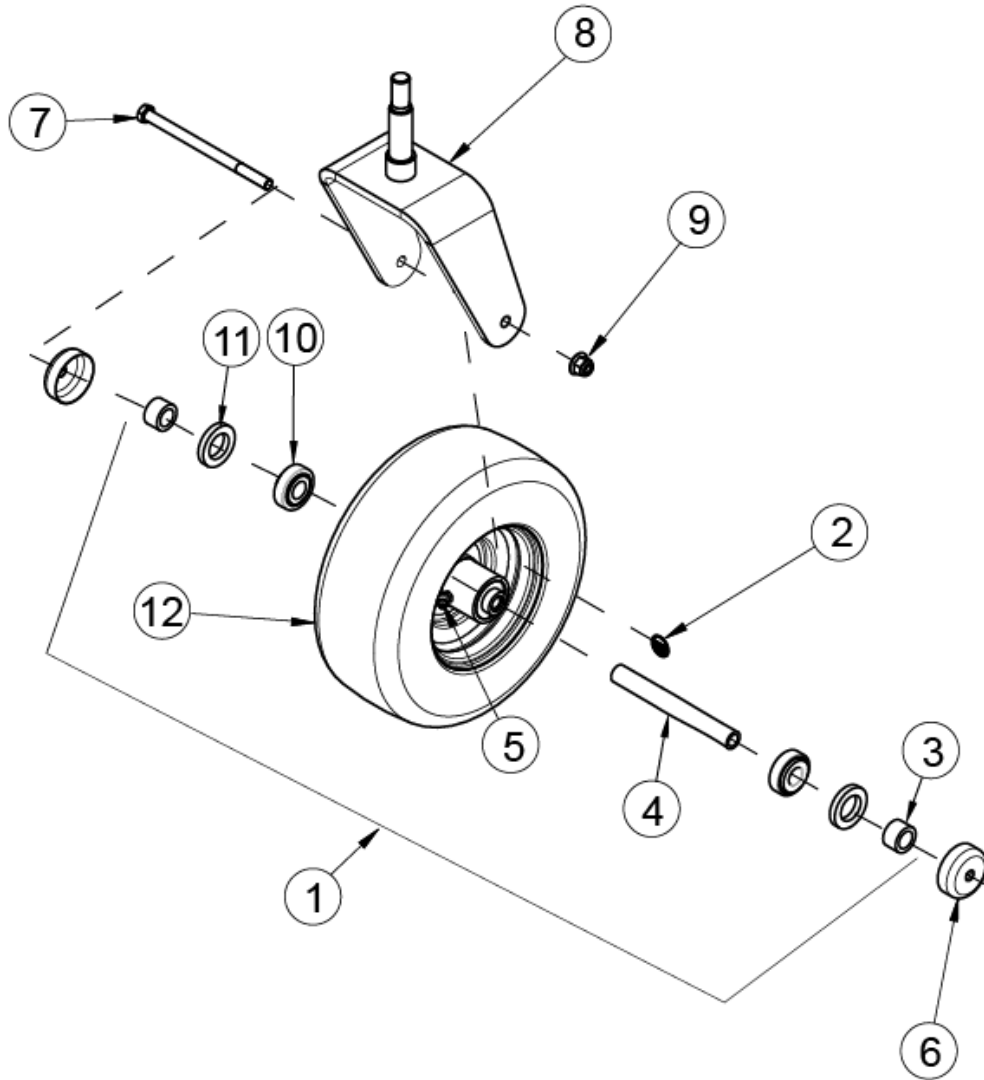
632081

60" BLOWER

542120

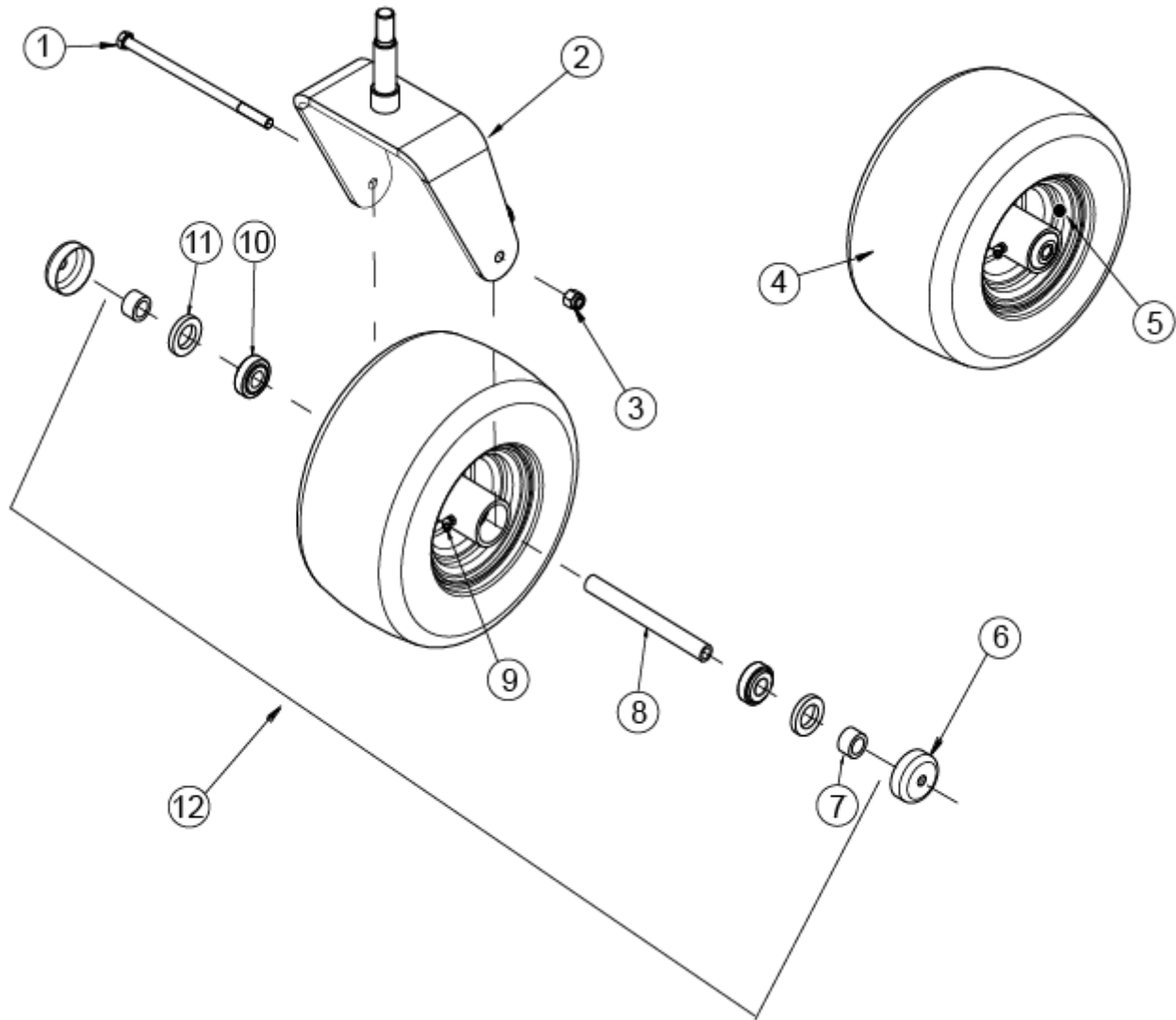
60" COLLECTION TUBE

48" CASTER ASSEMBLY



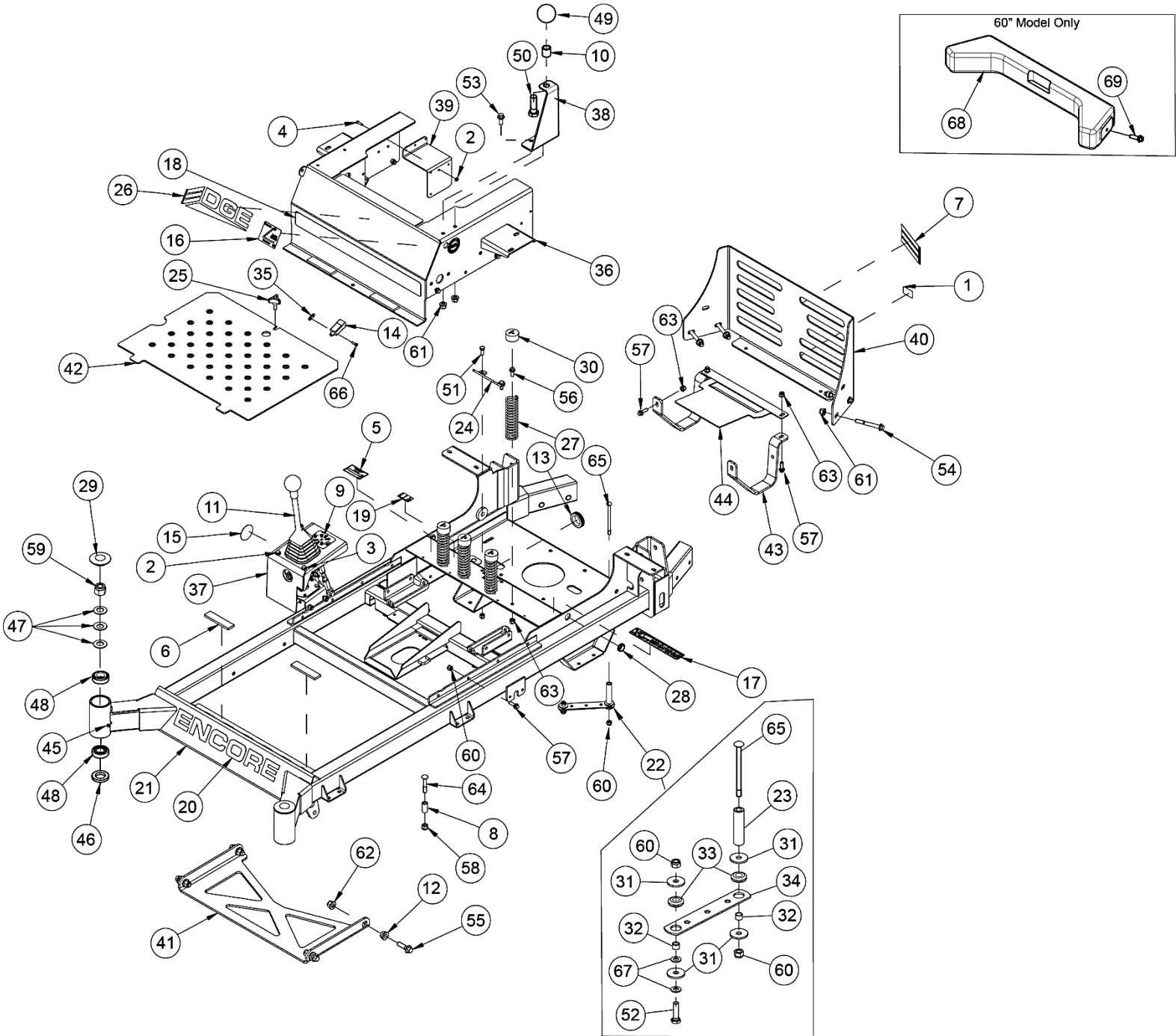
ITEM	PART NO.	DESCRIPTION
1	5202001	ASM, WHEEL COMPLETE 13 X 5.0-6 PNEUMATIC
2	453389	DECAL, FRONT TIRE PRESSURE
3	5202035	BUSHING
4	5202038	BUSHING
5	B1153-8	GREASE FITTING M8X1X45
6	5202026	CAP, DUST
7	5202029	SCREW, HH CAP M12 X 185
8	5202150	CASTER WHEEL YOKE
9	B6182-12	NUT, NYLOC M12
10	5202037	BEARING, TAPERED ROLLER
11	5202036	SEAL. LIP
12	5202039	TIRE, 13 X 5.0-6 PNEUMATIC

52" – 60" CASTER ASSEMBLY



ITEM	PART NO.	DESCRIPTION
1	543189	BOLT, M12 X 225 MM
2	542011-2	WLD, CASTER FORK 6.5, RED
3	B6182-12	NUT, NYLOC M12
4	542007	TIRE, 13 X 6.5-6 PNEUMATIC
5	453389	DECAL, FRONT TIRE PRESSURE
6	5202026	CAP, DUST
7	5202035	BUSHING
8	543230	TUBE, AXLE
9	111009	ZERK, 45° 1/4-28
10	5202037	BEARING, TAPERED ROLLER
11	5202036	SEAL, LIP
12	542070	ASM, WHEEL COMPLETE 13 X 6.5-6 PNEUM-WHITE

FRAME ASSEMBLY



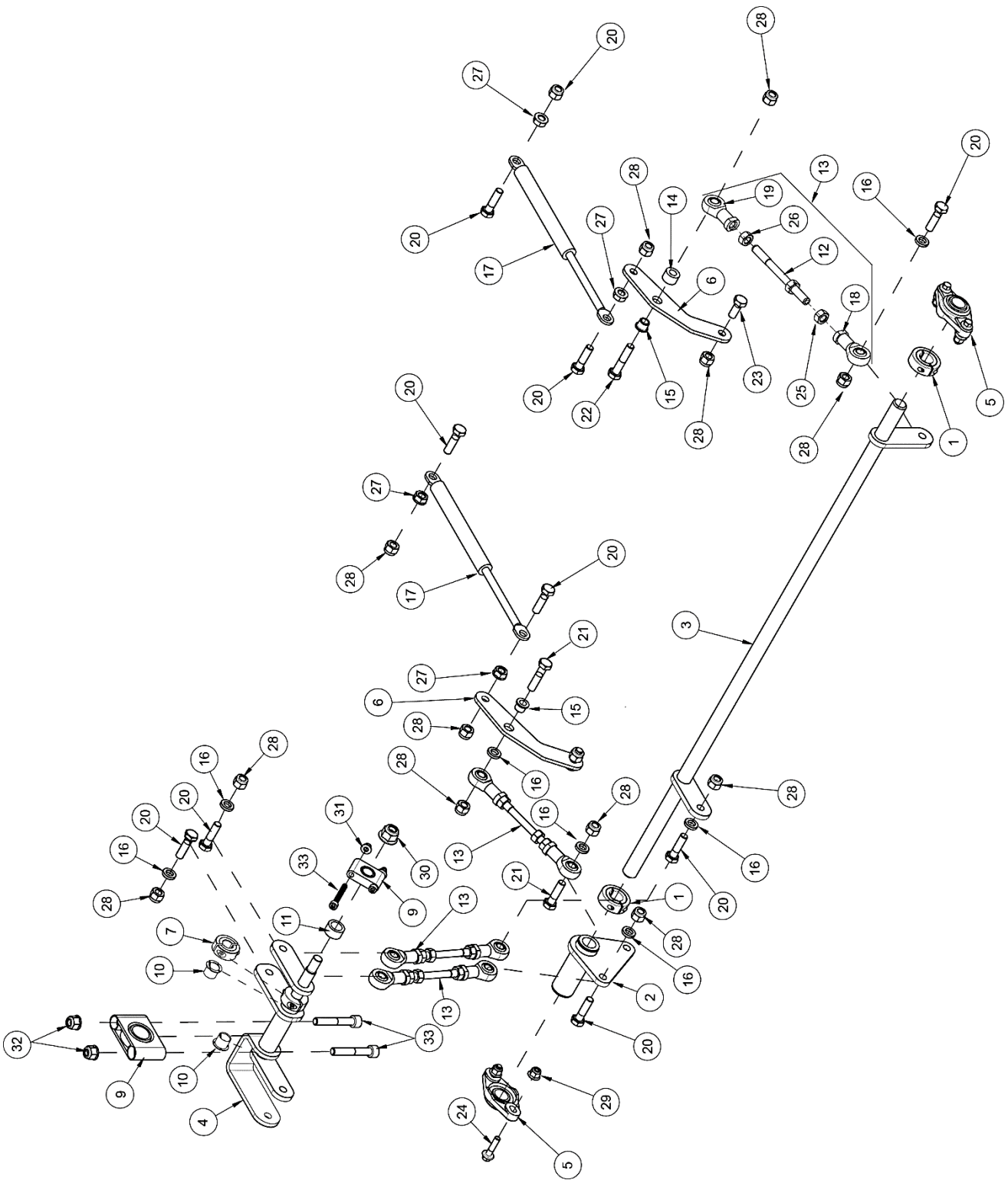
FRAME ASSEMBLY

ITEM	PART NO.	DESCRIPTION
1	8318	DECAL, MUFFLER TEMP
2	100252	1/4-20 X 3/4 HHCS
3	105255	1/4 – SAE FLAT WASHER
4	109009	#10-24 X 3/4 HHCS
5	FOR REFERENCE ONLY	SERIAL NO. PLATE
6	363201	FUEL TANK PAD
7	363265	SMALL ENCORE LOGO
8	393070	BELT GUIDE BRKT
9	443050	DECAL, SS CONTROL
10	443057	SPACER, KNOB
11	FOR REFERENCE ONLY	ASM, TWO AXIS CNTRL DETAIL PG 14
12	453288	BUSHING
13	453382	GROMMET, RUBBER 1-5/16" I.D.
14	523034	PARK SWITCH
15	543380	DECAL, BEATRICE
16	543391	DECAL, PARK BRAKE
17	543396	DECAL, HYDRO RESERVOIR
18	543401	DECAL, OPERATOR SAFETY
19	543433	DECAL, FUEL VALVE
20	543504	DECAL, ENCORE 16.75"
21	442015-2	WLD, SS FRAME
22	632036	ASM, CLUTCH STOP
23	633118	SPACER, TUBE
24	633120	RAMP, SEAT LATCH
25	633239	KNOB, LONG 3 PRONG
26	633250	DECAL, EDGE
27	5002022	SPRING
28	5002030	RUBBER BUSHING
29	5202009	DUST CAP
30	5203045	COVER
31	5203408	WASHER
32	5203409	SPACER / BUSHING
33	5203410	RUBBER RING 17
34	5203411	CLUTCH STOP STRAP
35	5208103	NUT RACK
36	442006-2	WLD, SS SEAT FRAME
37	442012-2	WLD, METAL COVER SS
38	442014-1	WLD, LH STABILITY
39	443061-2	BRKT, ELECT. OFFSET
40	633005-1	GUARD, PS REAR - BLACK
41	633010-2	FRONT STRUT PLATE - RED
42	633011-1	PLATE, FOOT, BLK

FRAME ASSEMBLY

ITEM	PART NO.	DESCRIPTION
43	633234-1	STRAP, MUFFLER GUARD
44	633235-1	SHIELD, MUFFLER HEAT
45	B1152-6	GREASE FITTING M6
46	B13871-B32528	SEAL (F) 32X52X8
47	B1972-A40	WASHER, SPRING DISC A40
48	B297-30205	BEARING 30205
49	B4141.11-1650	KNOB, M16 X 50
50	B5782-1650	SCREW, HH M16 X 50
51	B5783-820	SCREW, HH TAP M8X20
52	B5783-835	BOLT M8X35
53	B5787-1025	SCREW, HH FLANGE M10X25
54	B5787-1080	SCREW, FLANGE HEAD M10 X 80
55	B5787-1240	SCREW, HH FLANGED M12 X 40
56	B5787-820	SCREW, HH FLANGE M8X20
57	B5787-825	SCREW, HH FLANGE M8X25
58	B6182-10	NUT, NYLOC M10
59	B6182-20	NUT, NYLOC M20
60	B6182-8	NUT, NYLOC M8
61	B6183-10	NUT, NYLOC M10
62	B6183-12	NUT, NYLOC M12
63	B6183-8	NUT, NYLOC M8
64	B801-1055	BOLT, CARRIAGE SN M10 X 55
65	B801-8110	BOLT, CARRIAGE SN M8 X 110
66	B823-516	SCREW M5X16
67	B97.1-8	WASHER 8
68	633258-1	WEIGHT, PROSUMER REAR
69	B5787-1030	SCREW, HH FLANGE M10x30

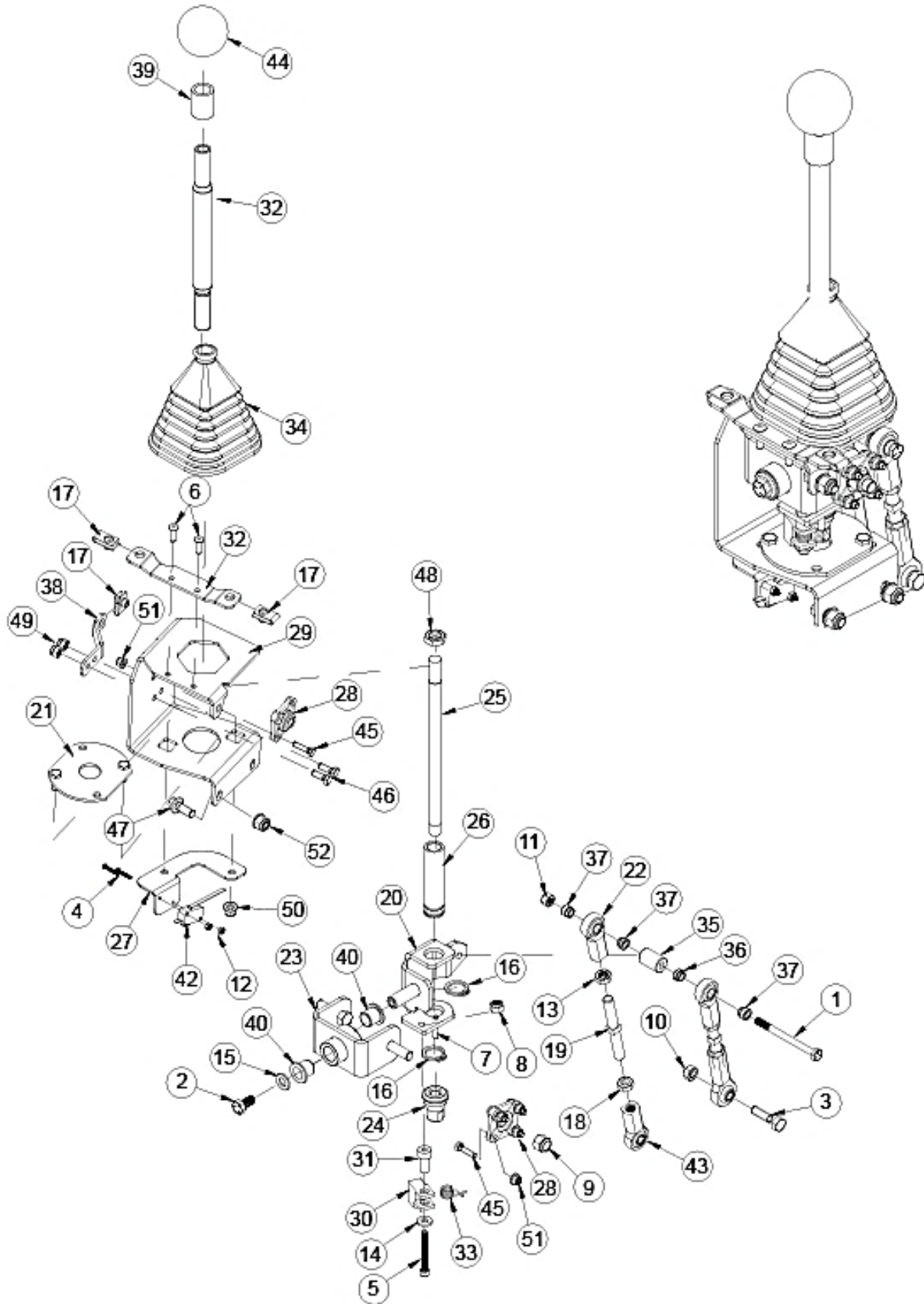
LOWER CROSS SHAFT ASSEMBLY



LOWER CROSS SHAFT ASSEMBLY

ITEM	PART NO.	DESCRIPTION
1	363339	5/8" CLAMP COLLAR
2	442002	ASM, LOWER CRANK W/BUSHING
3	442003	WLD, CROSS SHAFT
4	442009	ASM, 2 AXIS CRANK W/BUSHING
5	443007	BRG, 16MM 2 BOLT
6	443009	BRKT, DAMPER
7	443010	COLLAR, 12MM CLAMP
8	443022	BRG, 20MM SPLIT
9	443023	BRG, 12MM PB
10	443024	BUSH, 12MM SPLIT
11	443029	SPACER, BEARING
12	462179	ASM, SHORT PUMP LINK
13	464098	ASM, PUMP CTRL SHORT
14	543316	SPACER
15	823016	FLANGE BUSHING
16	2805023	WASHER/SPACER
17	5205012	DAMPER
18	5205016	ROD END, SPHERICAL M8 RH SIBJK8S
19	5205017	ROD END, SPHERICAL M8 LH SILBJK8S
20	B5782-830	SCREW, HH M8 X 30
21	B5782-835	BOLT M8X35
22	B5782-840	BOLT M8X40
23	B5783-820	SCREW, HH TAP M8X20
24	B5787-625	M6 X 25 HH FLAT SCREW
25	B6171-8	NUT M8
26	B6171-8L	NUT M8X1 (LH)
27	B6177-8	NUT M8
28	B6182-8	NUT, NYLOC M8
29	B6183.1-6	FLANGED LOCKNUT M6
30	B6183-10	NUT, NYLOC FLANGE M10
31	B6183-5	NUT, FLANGED NYLOC M5
32	B6183-8	NUT, FLANGED NYLOC M8
33	B70-540	SCREW M5X40

TWO AXIS CONTROL ASSEMBLY



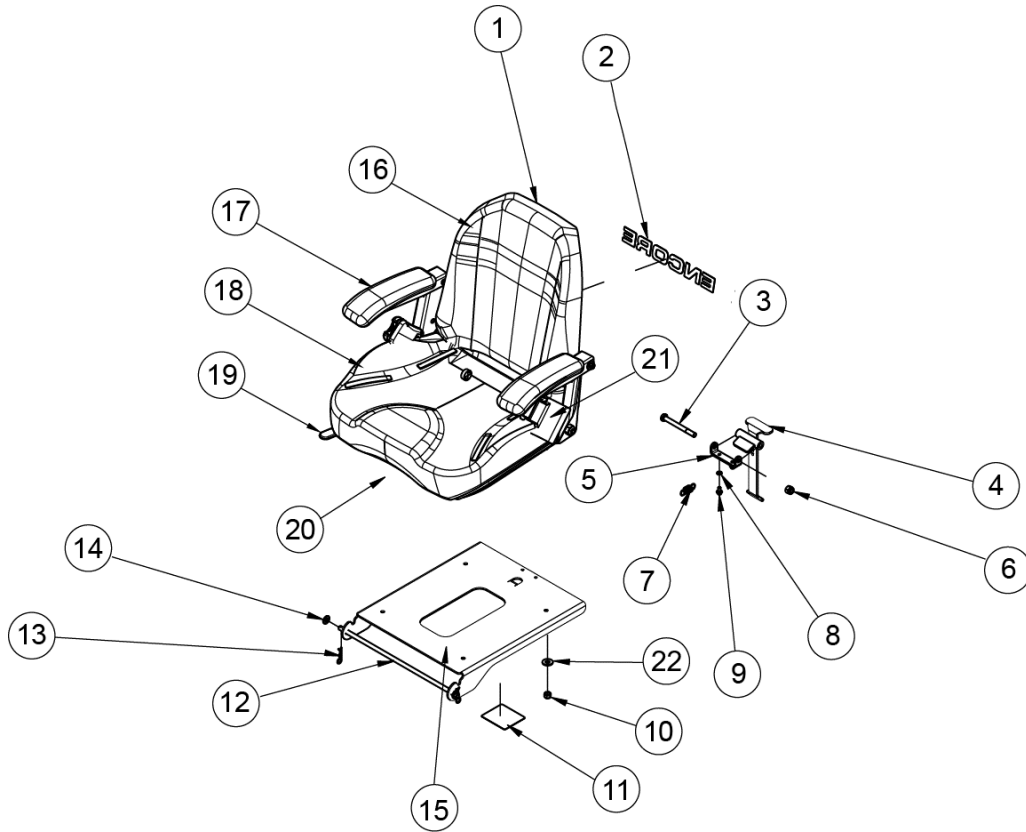
TWO AXIS CONTROL ASSEMBLY

ITEM	PART NO.	DESCRIPTION
1	100263	1/4-20 X 3-1/4 HHCS
2	100270	5/16-18 X 5/8 HHCS
3	100274	5/16-18 X 1-1/4 HHCS
4	101007	#4 - 40 X 3/4 CRPH SCREW - PLTD
5	103010	SHS, #12-24 X 1.75 SS
6	103015	3/16 X .375 POP RIVET
7	103515	PIN-ROLL .188X1.00
8	104250	NUT, #12-24 NYLOC
9	104251	3/8-24 HEX NYLOC NUT
10	104256	5/16-18 HEX NYLOC NUT
11	104255	1/4-20 HEX NYLOC NUT
12	104269	#4 - 40 LS HEX NYLOC NUT
13	104754	3/8-24 HEX JAM NUT
14	105253	WASHER, #12 SAE FLAT - PLATED
15	105257	5/16 SAE FLAT WASHER
16	108504	EXTERNAL 3/4" SNAP RING
17	109015	1/4-20 NUT CLIP
18	109037	3/8 - 24 LH HEX JAM NUT - PLTD
19	343158	FOOT PEDAL LINK - YELLOW ZINC
20	442005	WLD, INNER AXIS
21	442007	WLD, NEUTRAL PLATE
22	442011	ASM, ROD END W/BUSHING
23	442016	ASM, OUTER AXIS W/BUSHING
24	443011	FINIAL, SS ROD
25	443012	ROD, SS MAIN
26	443013	TUBE, SS ROD
27	443015	BRKT, NEU SWITCH
28	443026	BRG, SS OUTSIDE
29	443030	MT, SS CONTROL
30	443031	LOCK, FINIAL
31	443032	PIVOT, LOCK
32	443038	EXT, SS KNOB
33	443039	SPRING, LOCK
34	443041	BOOT, SS CONTROL
35	443042	SPACER, DIFFERENTIAL
36	443044	SPACER, ROD END .14
37	443045	SPACER, ROD END .20
38	443049	BRKT, COVER SIDE MT
39	443051	GRIP, SS KNOB
40	443054	BUSHING, INNER AXIS
41	443057	SPACER, KNOB
42	443059	SWITCH, NEU MICRO
43	593164	ROD END LHF 3/8

TWO AXIS CONTROL ASSEMBLY

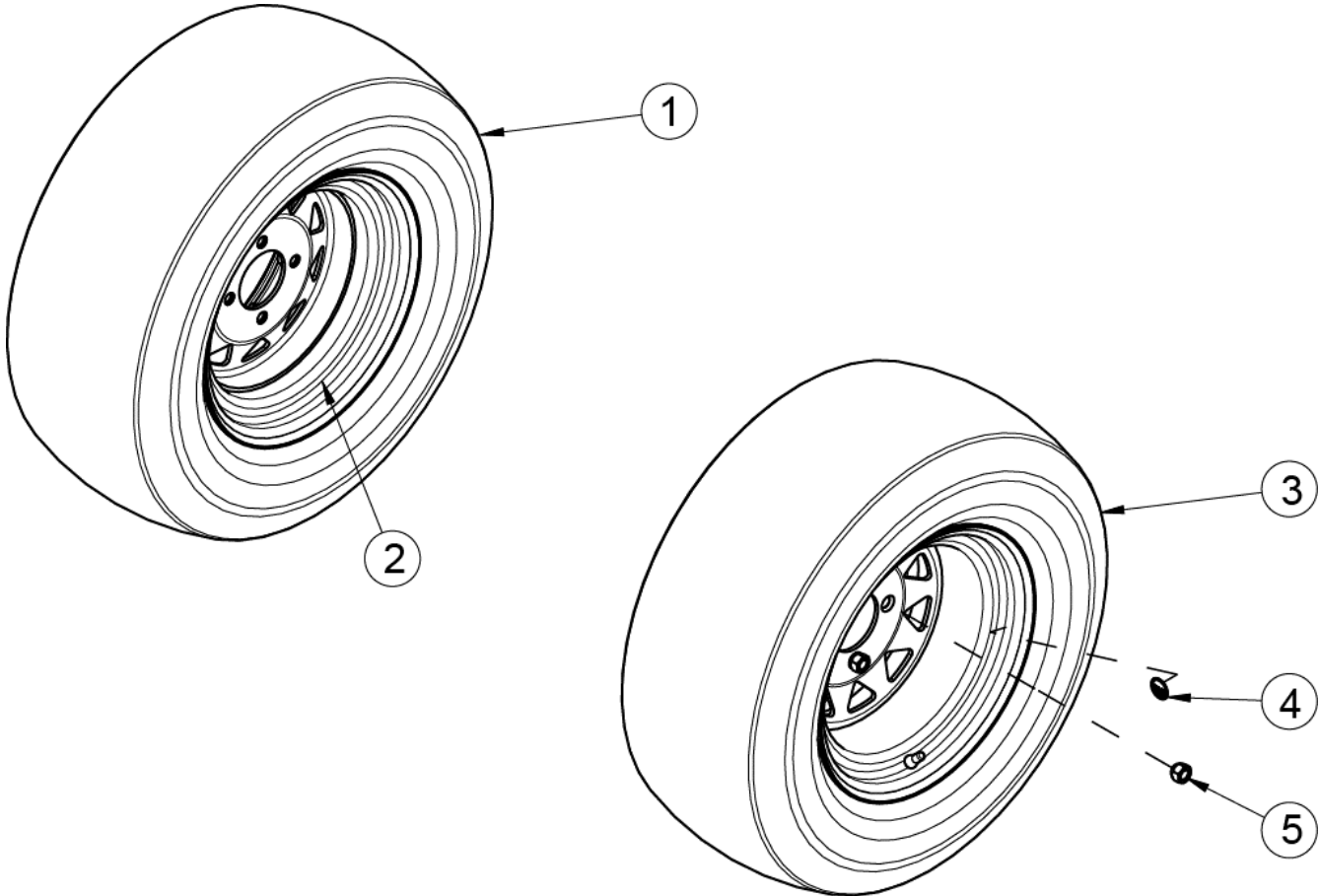
ITEM	PART NO.	DESCRIPTION
44	B4141.11-1650	KNOB, M16 X 50
45	B5783-520	SCREW, HH TAP M5 X 20
46	B5783-616	SCREW, HH TAP M6x16
47	B5787-820	SCREW, HH FLANGE M8X20
48	B6172-12	NUT, JAM M12
49	B6182-6	NUT, NYLOC M6
50	B6183.1-6	FLANGED LOCKNUT M6
51	B6183-5	NUT, FLANGED NYLOC M5
52	B6183-8	NUT, FLANGED NYLOC M8

SEAT ASSEMBLY



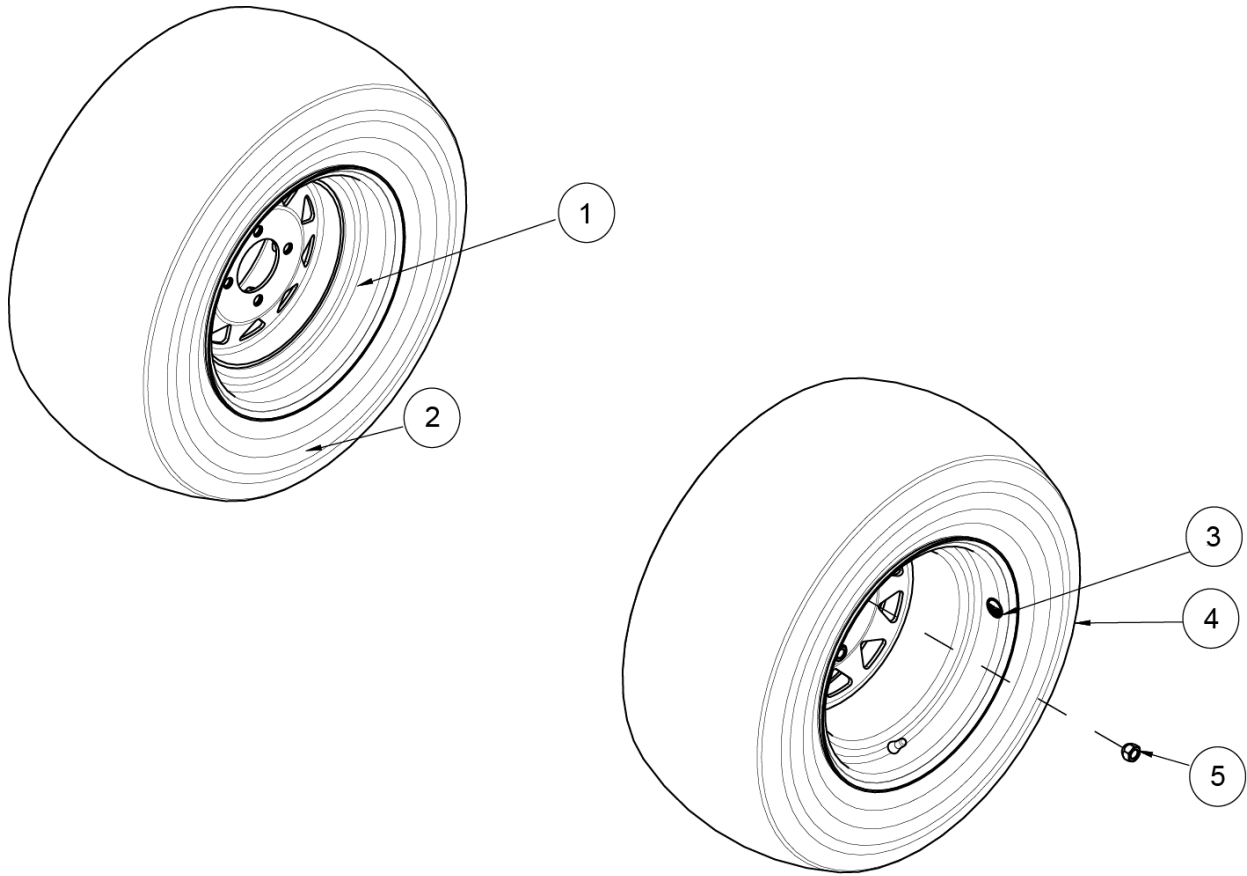
ITEM	PART NO.	DESCRIPTION
1	543373	SEAT
2	543470	DECAL, ENCORE 12"
3	B5782-10100	BOLT M10X100
4	632018	WLD, SEAT LATCH
5	633050	STRAP, BRAKE LEVER
6	B6182-10	NUT, NYLOC M10
7	S262008	RETURN SPRING
8	B97.1-6	WASHER 6
9	B5787-612	SCREW, FLANGED HH M6 X 12
10	104256	5/16-18 HEX NYLOC NUT
11	543397	DECAL, BATTERY WARNING
12	633111	ROD, SEAT
13	363165	HAIRPIN COTTER
14	B97.1-10	WASHER, FLAT M10
15	632056	ASM, SEAT PAN W/DECAL
16	543440	BACK, SEAT
17	593097	ARM REST PAD – MOLDED
18	543439	CUSHION, SEAT
19	543438	KIT, SEAT TRACK 4"
20	353048	SEAT SWITCH
21	543004	KIT, SEAT BELT RETRACTABLE
22	105258	5/16 STD FLAT WASHER

48" REAR TIRE ASSEMBLY



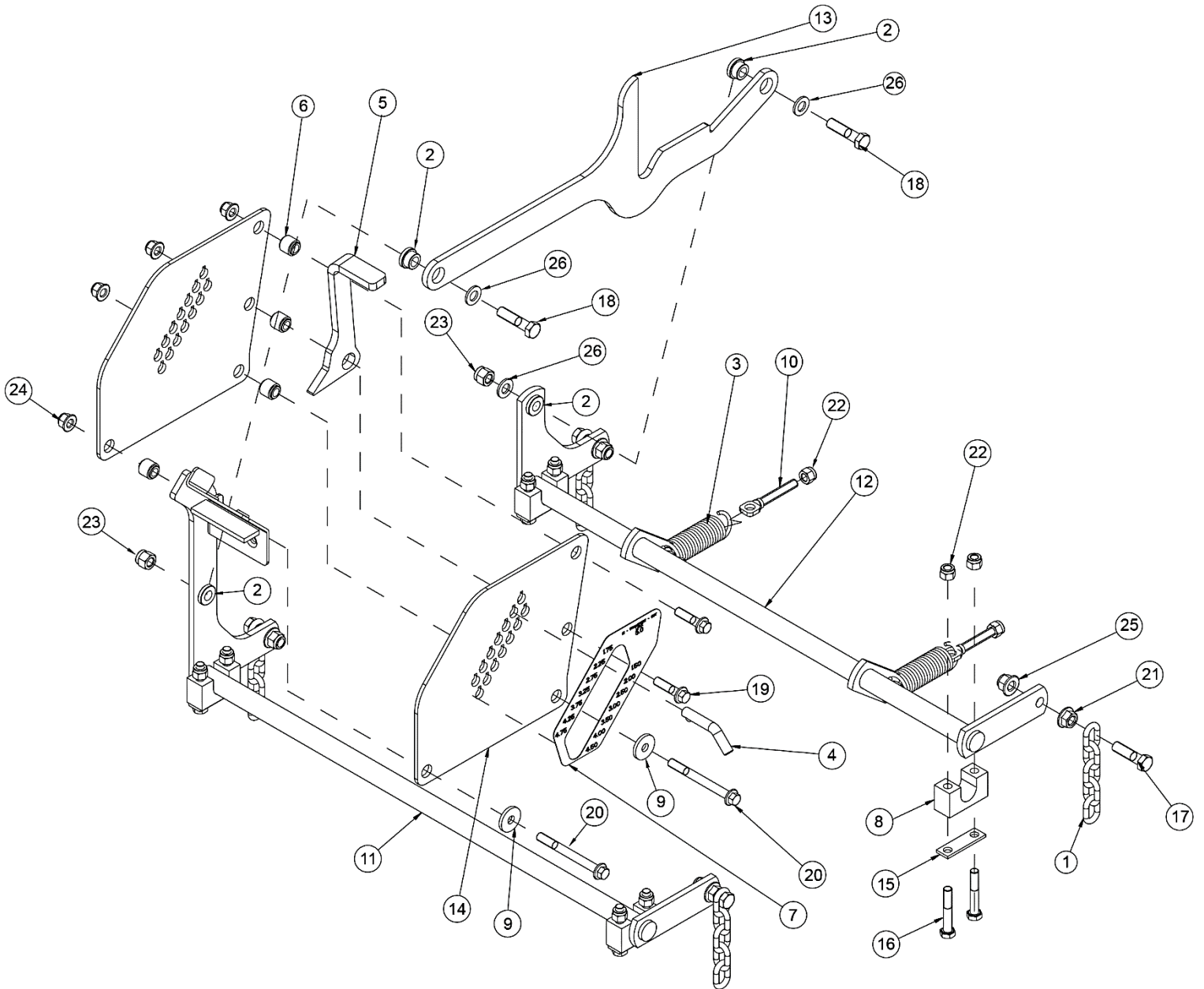
ITEM	PART NO.	DESCRIPTION
1	543289	ASM, WHEEL 23 X 9.5-12
2	542078	RIM, 12 X 7
3	542073	TIRE, 23 X 9.5-12
4	453390	DECAL, REAR TIRE PRESSURE
5	103023	1/2-20 X 60 T LUG NUT

52" – 60" REAR TIRE ASSEMBLY



ITEM	PART NO.	DESCRIPTION
1	5200012	RIM, DRIVE WHEEL
2	5200011	CARLISLE TURF MATE 23X10.5-12
3	453390	DECAL, REAR TIRE PRESSURE
4	5200001	ASM, DRIVE WHEEL ZTR
5	103023	1/2-20 X 60 T LUG NUT

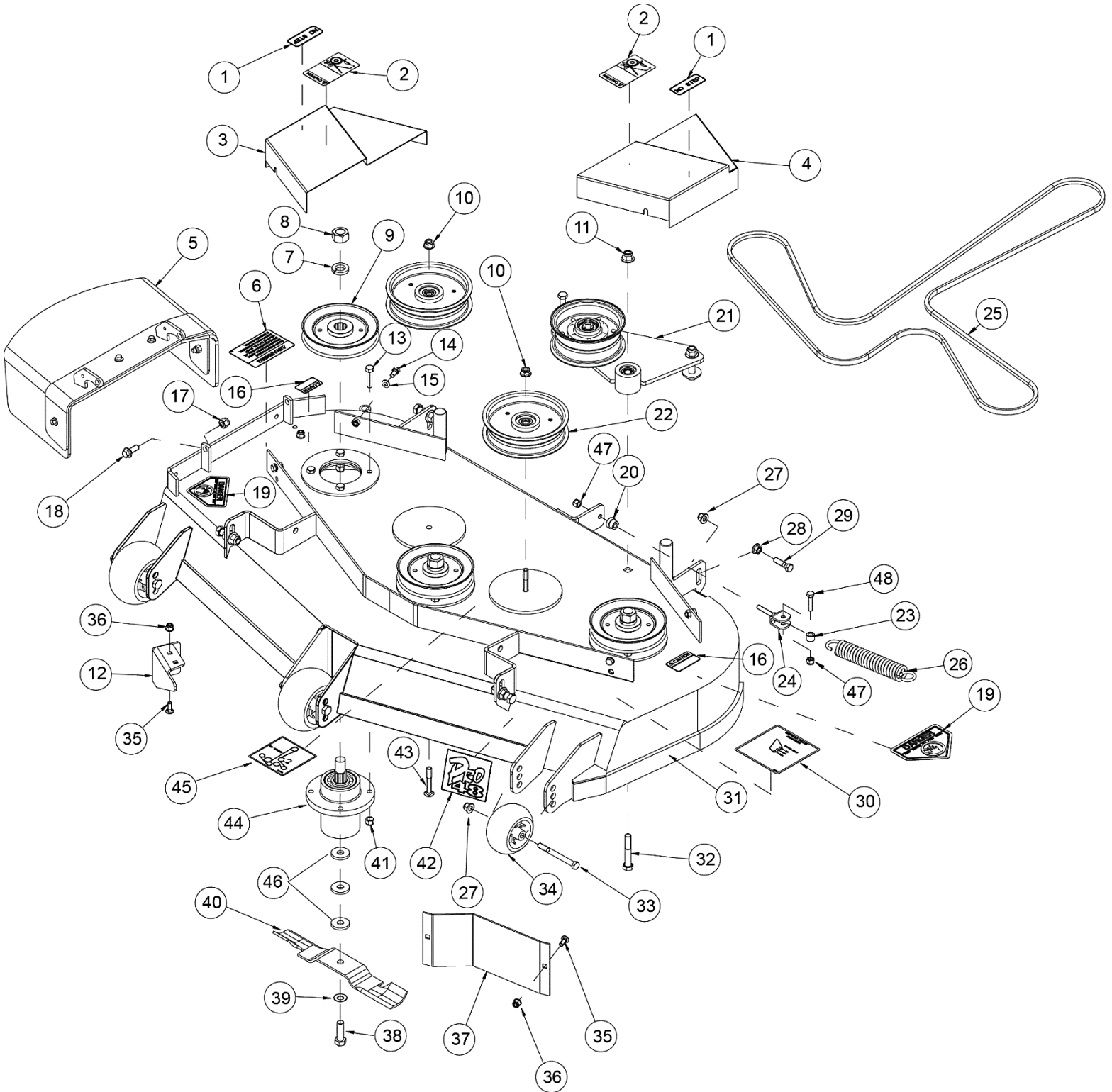
DECK LIFT ASSEMBLY



DECK LIFT ASSEMBLY

ITEM	PART NO	DESCRIPTION
1	423359	FRONT CHAIN (5 LINKS)
2	453288	BUSHING
3	523327	FLOATING IDLER SPRING
4	543207	PIN, HOC
5	633031	LATCH, TRANSPORT
6	633032	SPACER, HOC
7	633106	DECAL, DECK HEIGHT
8	633119	BLOCK, 25MM PIVOT
9	5201083	SPACER
10	2802083B	CONNECTING ROD
11	632004-1	WLD, FT CROSS SHAFT – BLK
12	632005-1	WLD, REAR CROSS SHAFT – BLK
13	633027-1	DECK LIFT LINK – BLACK
14	633028-1	PLATE, HOC – BLACK
15	633220-1	PLATE, 25MM PIVOT BLOCK
16	B5782-1060	BOLT 10X60
17	B5783-1245	SCREW, HH TAP M12 X 45
18	B5782-1250	SCREW, HH CAP M12 X 50
19	B5787-1040	SCREW, HH FLANGE M10X40
20	B5787-10100	SCREW, HH FLANGED M10 X 100
21	B6177-12	NUT, FLANGED M12
22	B6182-10	NUT, NYLOC M10
23	B6182-12	NUT, NYLOC M12
24	B6183-10	NUT, NYLOC FLANGE M10
25	B6183-12	NUT, NYLOC FLANGE M12
26	B97.1-12	WASHER 12

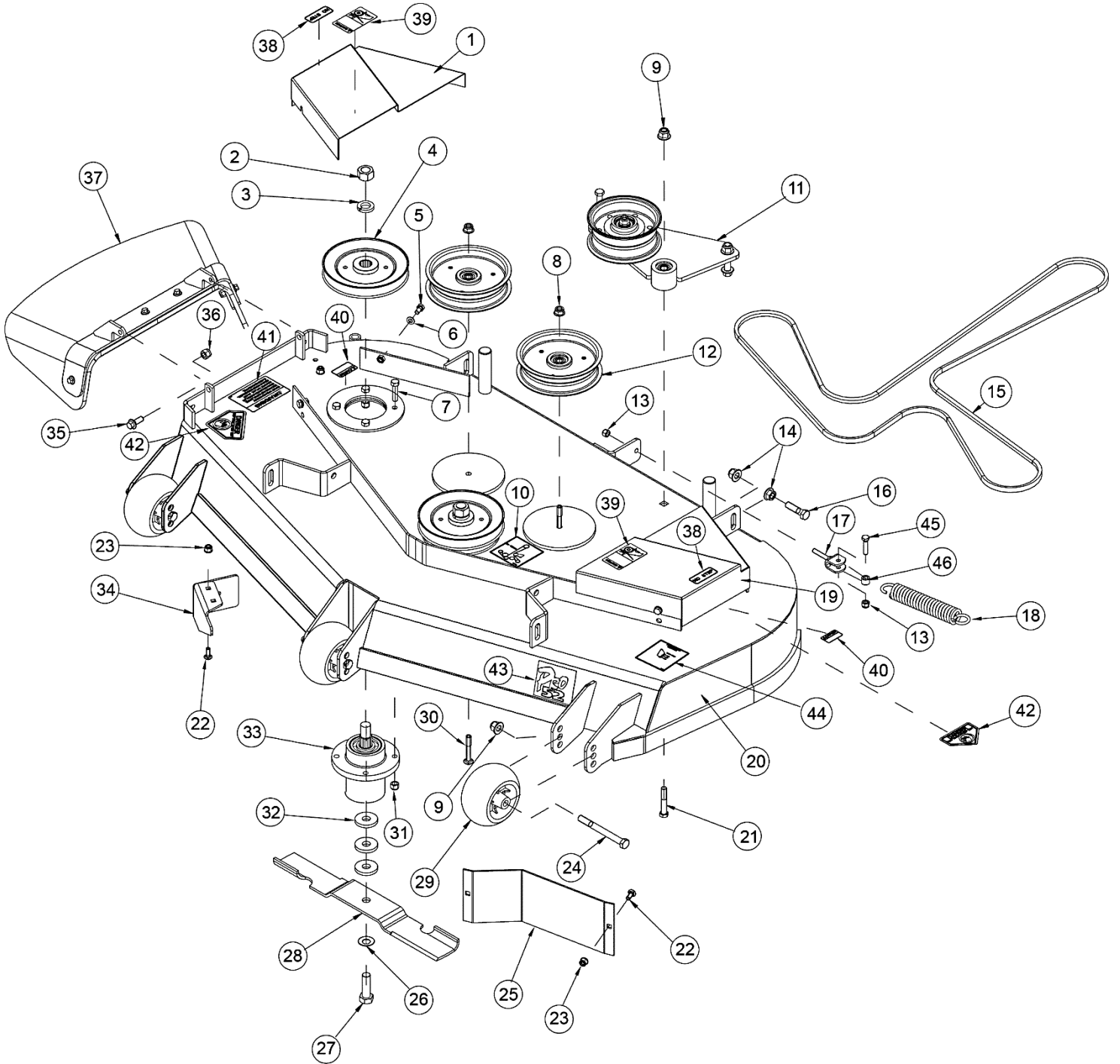
48" DECK ASSEMBLY



48" DECK ASSEMBLY

ITEM	PART NO.	DESCRIPTION
1	8304	DECAL, NO STEP
2	8008	DECAL, CAUTION, GUARDING LG
3	632089	SHIELD, RH 48 BELT W/DECALS
4	632088	SHIELD, LH 48 BELT W/DECALS
5	4801050	ASM, DISCHARGE CHUTE
6	8307	DECAL, DISCHARGE WARNING
7	105010	3/4" LOCKWASHER
8	104511	3/4-16 UNF REG HEX NUT
9	632061	PULLEY, 48" DECK
10	B6187-10	FLANGED TOPLOCK M10
11	B6183-12	NUT, NYLOC FLANGE M12
12	543212-2	BAFFLE, DOGLEG 48", RED
13	100294	3/8-16 X 1-1/2 HHCS
14	B5783-816	SCREW, HH TAP M8 X 16
15	B97.1-8	WASHER 8
16	8303	DECAL, CAUTION, GUARDING SM
17	B6182-10	NUT, NYLOC M10
18	B5787-1025	SCREW, HH FLANGE M10 X 25
19	363023	DANGER DECAL, HANDS AND FEET
20	2803010	BUSHING / SPACER
21	632034	ASM, DECK IDLER – DETAIL ON PG 29
22	542147	ASM, 150MM FLAT IDLER W/SPACER–DETAIL ON PG 31
23	633301	BUSHING
24	632124	ASM, YOKE
25	633147	BELT, 48 DECK
26	523109	LIFT TENSION SPRING
27	B6183-12	NUT, NYLOC FLANGE M12
28	B6177-12	NUT, FLANGED M12
29	B5782-1245	SCREW, HH M12 X 45
30	543392	DECAL, ANTI-SCALP ROLLER
31	632087	ASM, 48 DECK W/DECALS
32	B801-1270	CARRIAGE BOLT M12X70
33	B5782-12120	SCREW, HH M12 X 120
34	543225	ROLLER, ANTI SCALP
35	B801-820	BOLT, CARRIAGE SN M8 X 20
36	B6183-8	NUT, FLANGED NYLOC M8
37	543216-2	BAFFLE, BIRDWING 48, RED
38	100347	5/8-11 X 2 HHCS
39	583108	5/8 SPRING DISC WASHER
40	483103	BLADE, 48"
	483049	16.25 MULCHER (WAVY)
41	104257	3/8-16 HEX NYLOC NUT
42	483075	PRO-48 DECAL
43	B801-1060	BOLT, CARRIAGE M10 X 60
44	583106	BLADE SPINDLE ASM – DETAIL ON PG 28
45	633228	DECAL, BELT ROUTING
46	363382	BLADE SPACER
47	B6182-8	NUT, NYLOC M8
48	B5783-835	BOLT M8X35

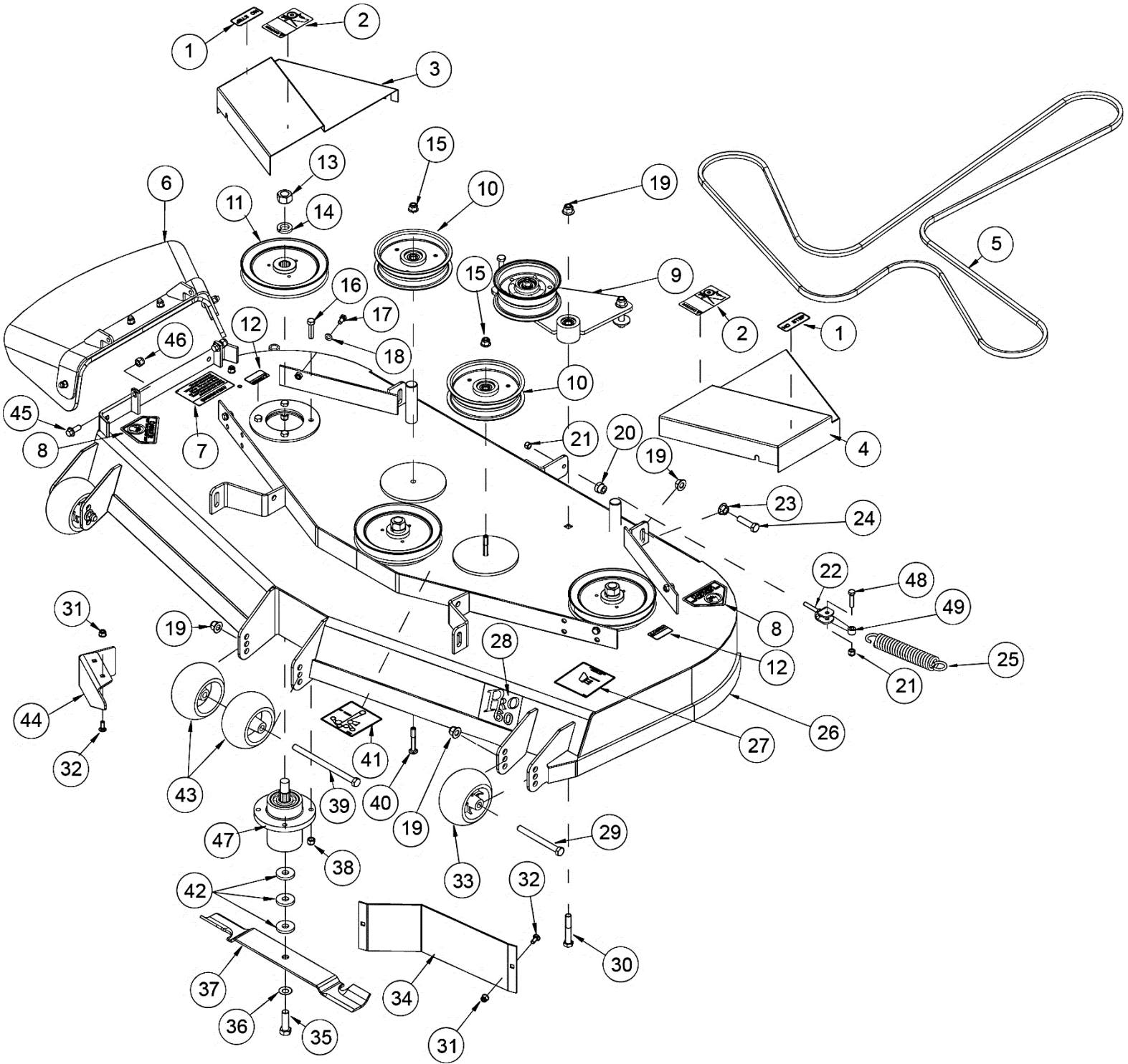
52" DECK ASSEMBLY



52" DECK ASSEMBLY

ITEM	PART NO.	DESCRIPTION
1	632047	SHIELD, RH 52 BELT, W/DECALS
2	104511	3/4-16 UNF REG HEX NUT
3	105010	3/4 LOCKWASHER
4	452073	PULLEY, DECK
5	B5783-816	SCREW, HH TAP M8X16
6	B97.1-8	WASHER 8
7	100294	3/8-16 X 1-1/2 HHCS
8	B6187-10	FLANGED TOPLOCK M10
9	B6183-12	NUT, NYLOC FLANGE M12
10	633228	DECAL, BELT ROUTING
11	632034	ASM, DECK IDLER - DETAIL ON PG 29
12	542147	ASM, 150MM FLAT IDLER W/SPACER- DETAIL ON PG 31
13	B6182-8	NUT, NYLOC M8
14	B6177-12	NUT, FLANGED M12
15	633068	BELT, DECK
16	B5782-1245	SCREW, HH M12 X 45
17	363080	EYEBOLT-RIGHT
18	5207015	IDLER PULLEY SPRING
19	632046	SHIELD, LH DB 52 BELT, W/DECALS
20	632050	ASM, 52 DECK W/DECALS
21	B801-1270	CARRIAGE BOLT M12X70
22	B801-820	BOLT, CARRIAGE SN M8X20
23	B6183-8	NUT, FLANGED NYLOC M8
24	B5782-12120	SCREW, HH M12 X 120
25	543046	BAFFLE, BIRDWING LH
26	583108	5/8 SPRING DISC WASHER
27	100347	5/8-11 X 2 HHCS
28	823004	18" HI LIFT BLADE
	823353	18" MULCHING BLADE
29	543225	ROLLER, ANTI SCALP
30	B801-1060	BOLT, CARRIAGE M10 X 60
31	104257	3/8-16 HEX NYLOC NUT
32	363382	BLADE SPACER
33	583106	BLADE SPINDLE ASSY - DETAIL ON PG 28
34	543213-2	BAFFLE, DOGLEG 52, RED
35	B5787-1025	SCREW, HH FLANGE M10X25
36	B6182-10	NUT, NYLOC M10
37	6001050A	ASM, DISCHARGE CHUTE 52/60
38	8304	DECAL, NO STEP
39	8008	DECAL, CAUTION, GUARDING LG
40	8303	DECAL, CAUTION, GUARDING SM
41	8307	DECAL, DISCHARGE WARNING
42	363023	DANGER DECAL, HANDS AND FEET
43	523493	DECAL, PRO 52
44	633228	DECAL, BELT ROUTING
45	B5783-835	BOLT M8X35
46	633301	BUSHING

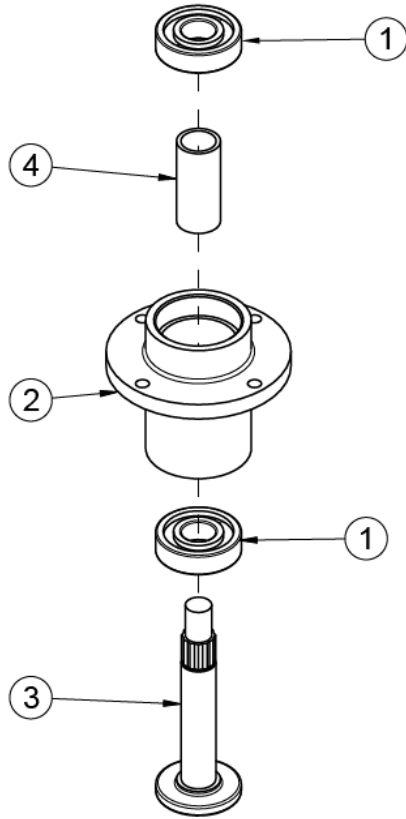
60" DECK ASSEMBLY



60" DECK ASSEMBLY

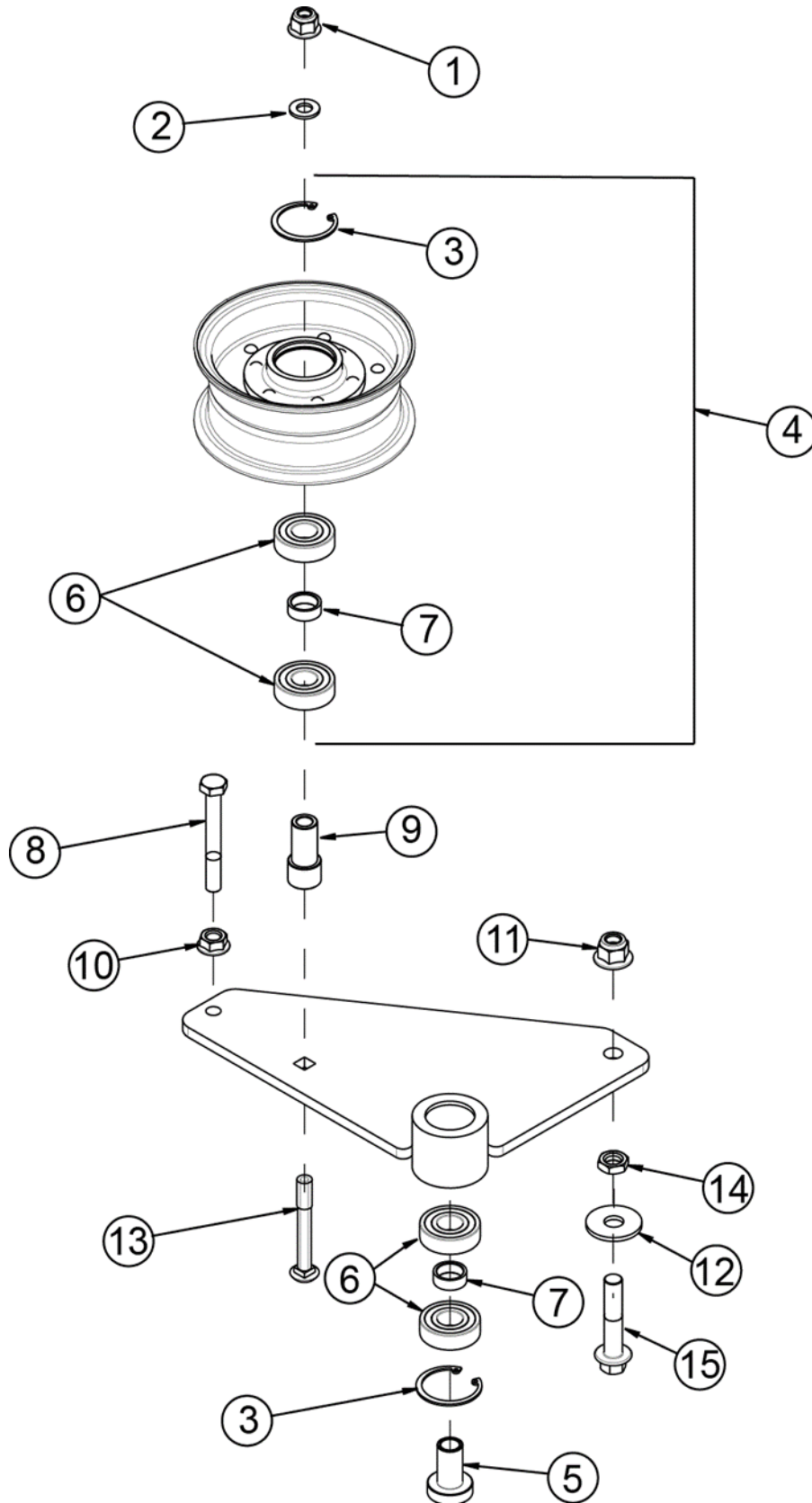
ITEM	PART NO.	DESCRIPTION
1	8304	DECAL, NO STEP
2	8008	DECAL, CAUTION, GUARDING LG
3	632092	SHIELD, RH 60 BELT W/DECALS
4	632091	SHIELD, LH 60 BELT W/DECALS
5	633338	BELT, 60 DECK
6	6001050A	ASM, DISCHARGE CHUTE 52/60
7	8307	DECAL, DISCHARGE WARNING
8	363023	DANGER DECAL, HANDS AND FEET
9	632034	ASM, DECK IDLER – DETAIL ON PG 29
10	542147	ASM, 150MM FLAT IDLER W/SPACER – DETAIL ON PG 31
11	632044	PULLEY, 60 DB DECK
12	8303	DECAL, CAUTION, GUARDING SM
13	104511	3/4-16 UNF REG HEX NUT
14	105010	3/4 LOCKWASHER
15	B6183-10	NUT, NYLOC FLANGE M10
16	100294	3/8-16 X 1-1/2 HHCS
17	B5783-816	SCREW, HH TAP M8 X 16
18	B97.1-8	WASHER 8
19	B6183-12	NUT, NYLOC FLANGE M12
20	2803010	BUSHING/SPACER
21	B6182-8	NUT, NYLOC M8
22	632124	ASM, YOKE
23	B6177-12	NUT, FLANGED M12
24	B5782-1245	SCREW, HH M12 X 45
25	523109	LIFT TENSION SPRING
26	632090	ASM, 60 DECK W/DECALS
27	543392	DECAL, ANTI-SCALP ROLLER
28	8327	DECAL, "60"
29	B5782-12120	SCREW, HH M12 X 120
30	B801-1270	CARRIAGE BOLT M12 X 70
31	B6183-8	NUT, FLANGED NYLOC M8
32	B801-820	BOLT, CARRIAGE SN M8 X 20
33	543225	ROLLER, ANTI SCALP
34	543217-2	BAFFLE, BIRDWING 60, RED
35	100347	5/8-11 X 2 HHCS
36	583108	5/8 SPRING DISC WASHER
37	633335	BLADE, 20.5" HI-LIFT
	633340	BLADE, 20.5" MULCH
38	104257	3/8-16 HEX NYLOC NUT
39	5202029	SCREW, HH CAP M12 X 185
40	B801-1060	BOLT, CARRIAGE M10 X 60
41	633228	DECAL, BELT ROUTING
42	363382	BLADE SPACER
43	423023	ROLLER, ANTI SCALP
44	543214-2	BAFFLE, DOGLEG 60, RED
45	B5787-1025	SCREW, HH FLANGE M10 X 25
46	B6182-10	NUT, NYLOC M10
47	583106	BLADE SPINDLE ASM – DETAIL ON PG 28
48	B5783-835	BOLT M8X35
49	633301	BUSHING

SPINDLE HOUSING ASSEMBLY



ITEM	PART NO.	DESCRIPTION
1	363350	BEARING - BLADE SPINDLE
2	583111	SPINDLE HOUSING
3	583112	SPINDLE SHAFT
4	583113	BEARING SPACER TUBE

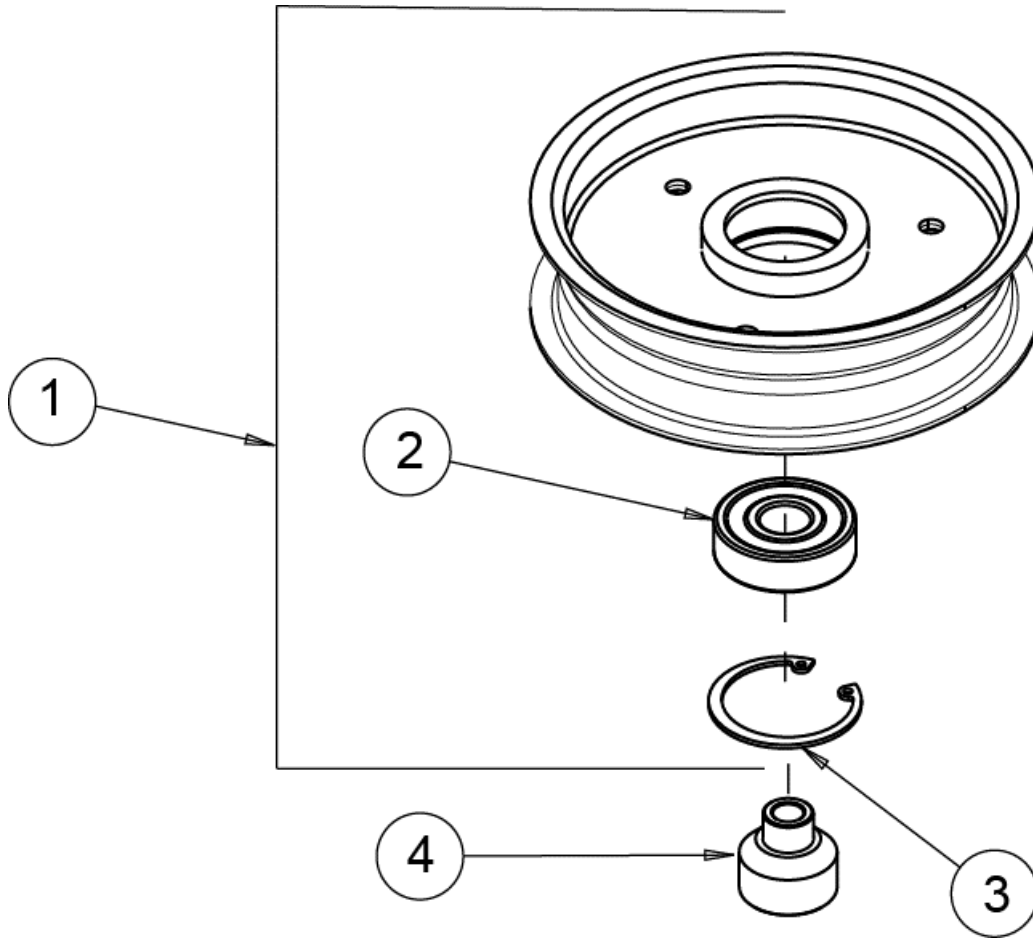
DECK IDLER ASSEMBLY



DECK IDLER ASSEMBLY

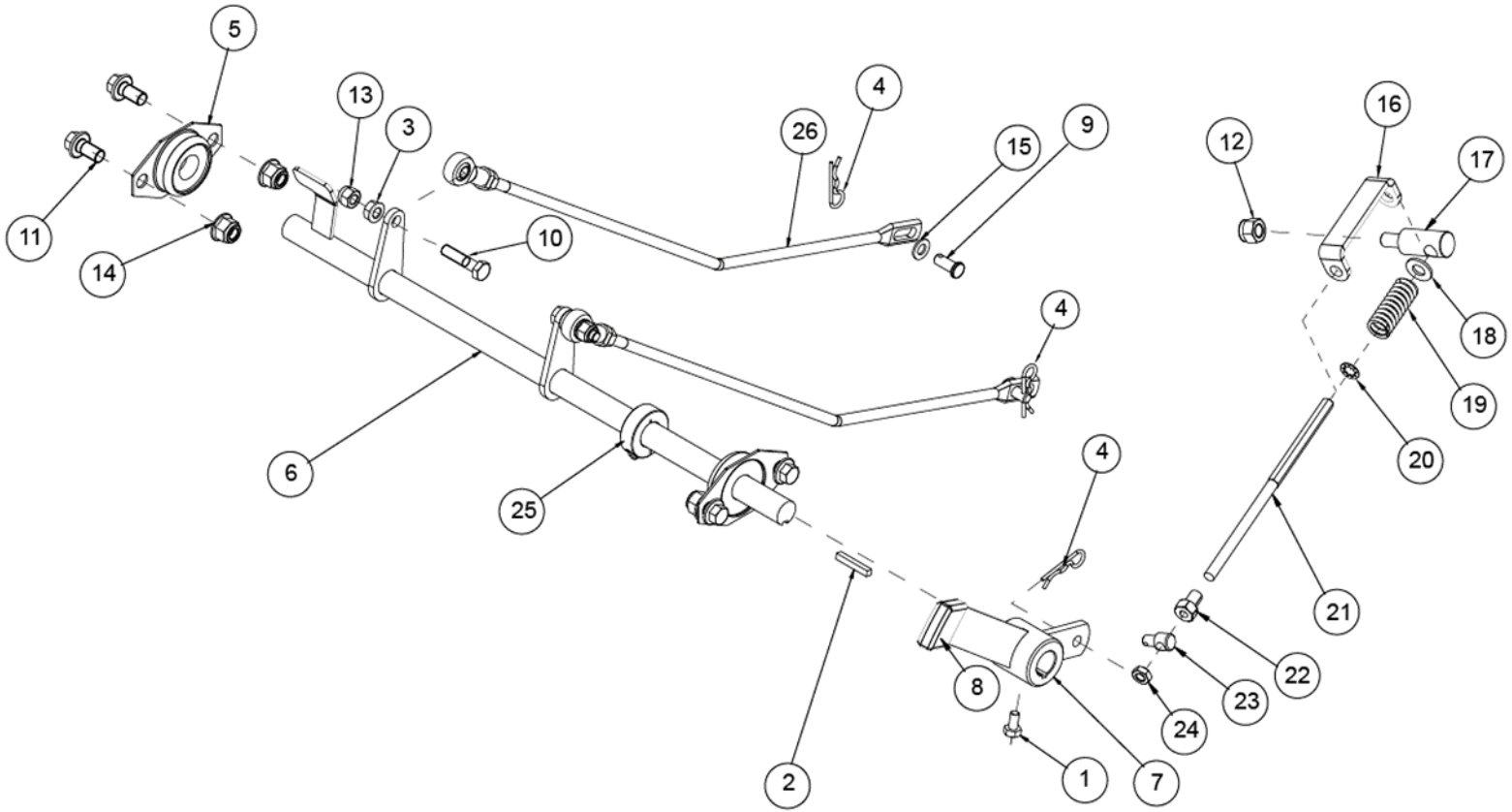
ITEM	PART NO.	DESCRIPTION
1	B6183-10	NUT, NYLOC FLANGE M10
2	B97.1-10	WASHER, FLAT M10
3	B893.1-40	SNAP RING 40
4	462072	ASM, IDLER PULLEY
5	633015	STEPPED SPACER
6	B276-6203RS	BEARING 6203-2RS
7	5201077	BUSHING
8	B5782-1080	BOLT M10 X 80
9	463220	SPACER, IDLER PULLEY
10	B6177-10	NUT, FLANGED M10
11	B6183-12	NUT, NYLOC FLANGE M12
12	B96-12	WASHER, FLAT LARGE M12
13	B801-1075	BOLT, CARRIAGE M10 X 75
14	B6172.1-12	NUT, JAM M12
15	B5787-1260	SCREW, HH FLANGE M12 X 60

DECK IDLER



ITEM	PART NO.	DESCRIPTION
1	542138	IDLER, FLAT 150MM, W/BEARING
2	B276-6303RS	BEARING 6303-2RS
3	B893.1-47	SNAP RING 47
4	543450	STAND-OFF, LG IDLER

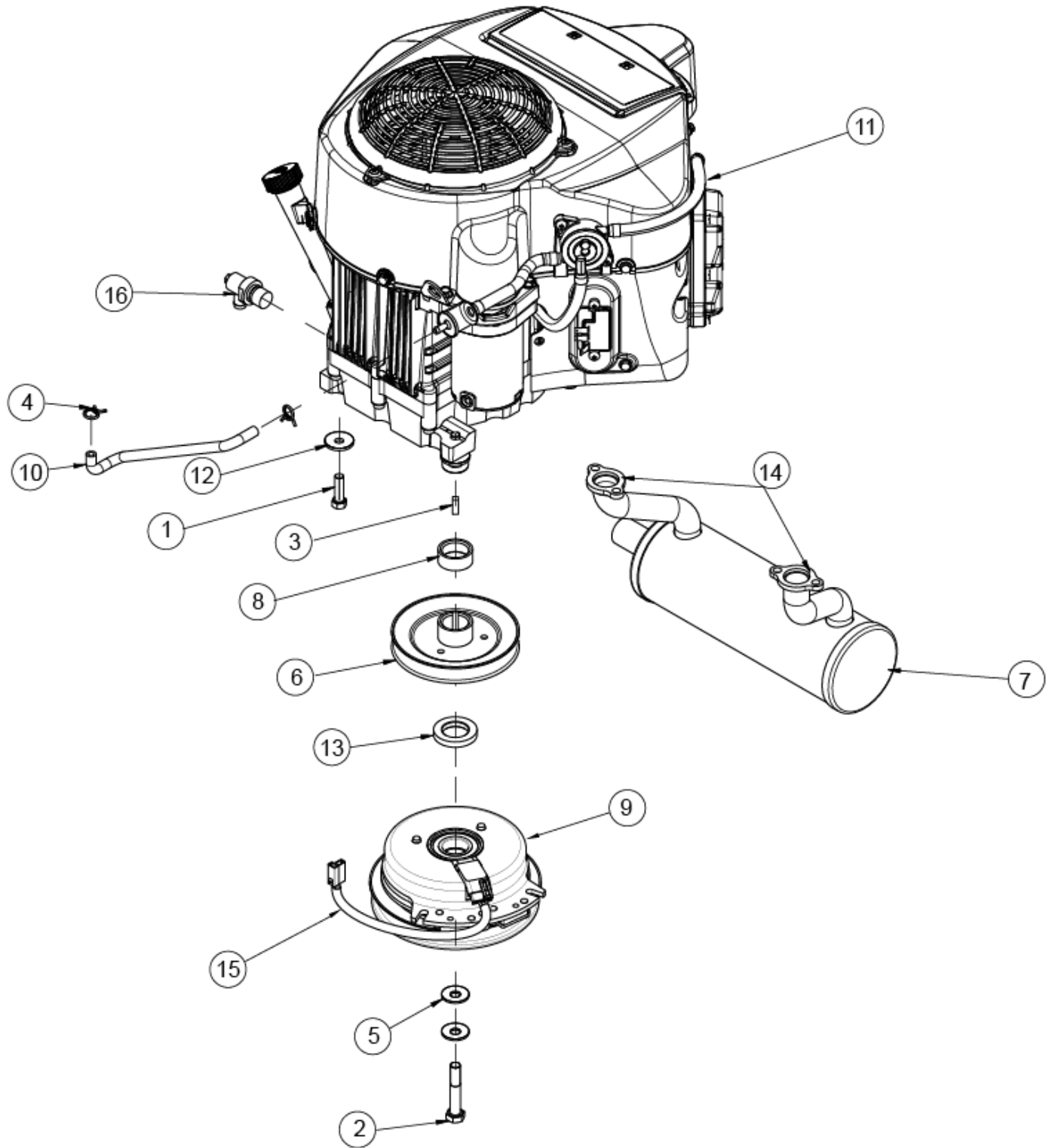
BRAKE CONTROL GROUP



BRAKE CONTROL GROUP

ITEM	PART NO	DESCRIPTION
1	100501	1/4-28 X 1/2 HHCS
2	107264	3/16 X 3/16 X 1-1/4 MACH KEY
3	B6177-8	NUT, WHIZLOCK M8
4	XSZ56-1-17	HAIR PIN
5	423140	3/4 I.D. 2 BOLT BEARING
6	632013	WLD, BRAKE SHAFT
7	632015	ASM, BRAKE LEVER
8	543300	GRIP, PARK BRAKE
9	B882B-820	PIN, 8 X 20 CLEVIS
10	B5782-835	BOLT M8X35
11	B5787-1020	SCREW, HH FLANGED M10 X 20
12	B6182-10	NUT, NYLOC M10
13	B6182-8	NUT, NYLOC M8
14	B6183-10	NUT, NYLOC FLANGE M10
15	B97.1-8	WASHER 8
16	593114	PARK BRAKE STRAP - PLATED
17	633116	SWIVEL, PARK BRAKE
18	105259	3/8 SAE FLAT WASHER
19	523024	SPRING, COMPRESSION
20	363117	BELT TENSION SPRING
21	463089	ROD, SHORT BRAKE
22	593116	BRAKE SPRING NUT – PLATED
23	463231	SWIVEL, PARK BRAKE ROD
24	104751	5/16-18 HEX JAM NUT
25	523138	3/4" CLAMP COLLAR
26	632019	ASM, BRAKE LINK

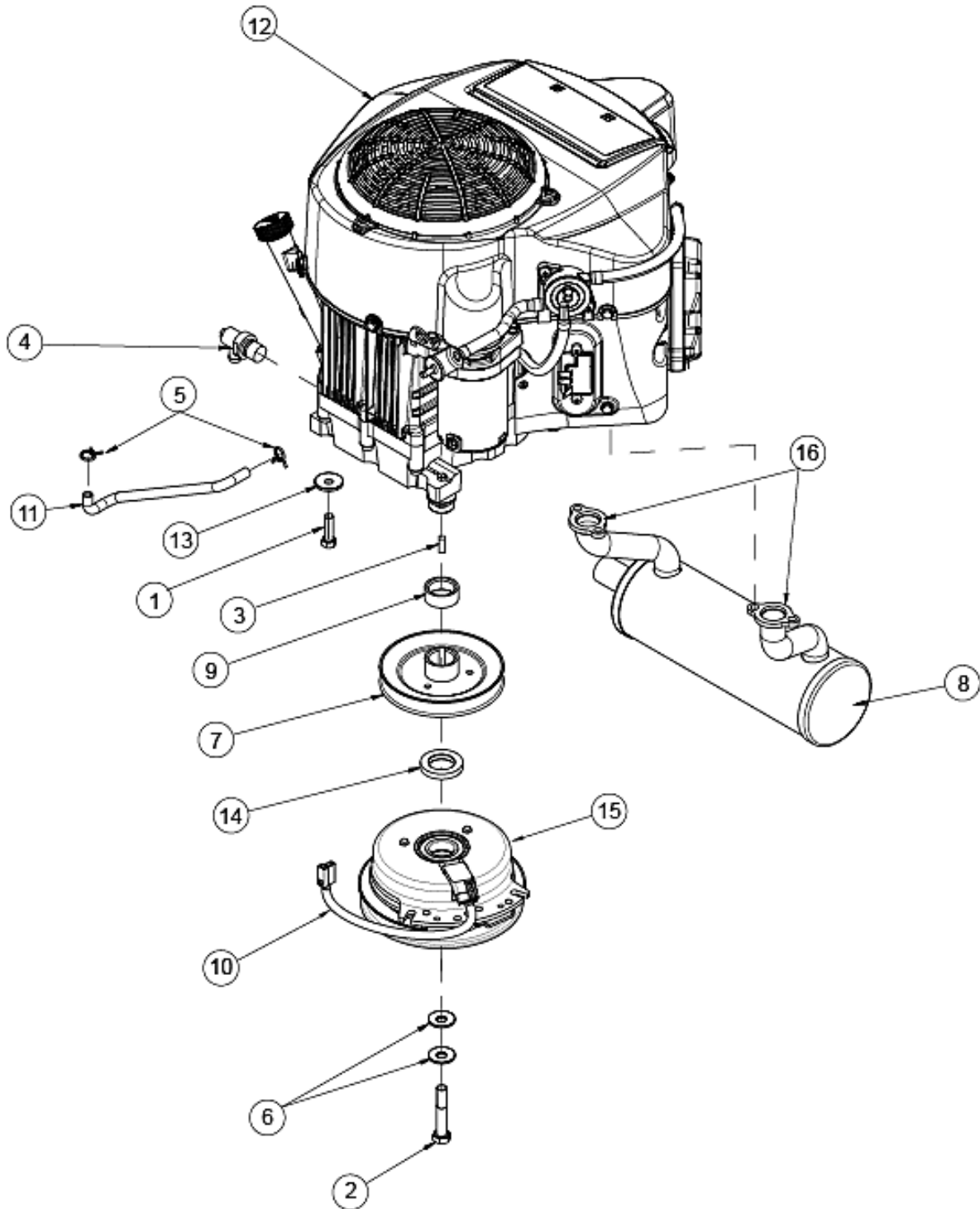
ENGINE ASSEMBLY FR691



ENGINE ASSEMBLY FR691

ITEM	PART NO.	DESCRIPTION
1	100293	3/8-16 x 1-1/4 HHCS
2	100535	7/16-20 X 2-1/2 HHCS
3	107258	1/4 X 1/4 X 3/4 MACH KEY
4	363098	CLAMP, FUEL LINE 1/4 ID
5	423069	SPRING DISC – 7/16
6	543003	SHEAVE, PUMP DRIVE
7	633033	MUFFLER, KAWASAKI
8	633038	SPACER, ENGINE
9	633073	CLUTCH, 175LB
10	633099	HOSE, FUEL 1/4 X 14”
11	FOR REFERENCE ONLY	ENGINE, KAW FR691 (1-1/8" X 108.8MM)
12	753027	SPRING DISC WASHER
13	823248	CLUTCH SPACER 9/32
14	483098	MUFFLER GASKET
15	603083	CLUTCH ADAPT. HARNESS
16	343146	90° DRAIN – KAW BLK

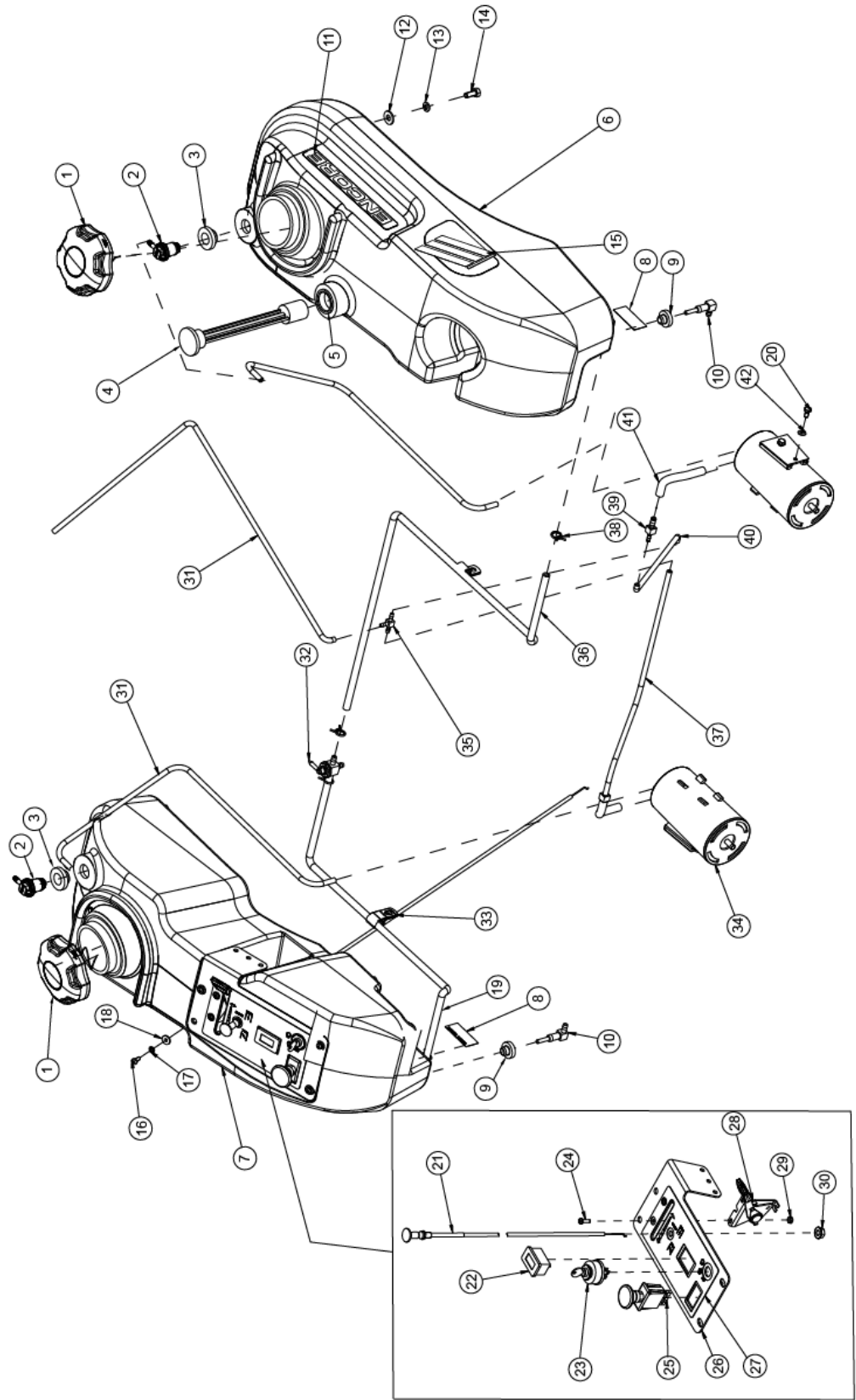
ENGINE ASSEMBLY FR730



ENGINE ASSEMBLY FR730

ITEM	PART NO.	DESCRIPTION
1	100293	3/8-16 X 1-1/4 HHCS
2	100535	7/16-20 X 2-1/2 HHCS
3	107258	1/4 X 1/4 X 3/4 MACH KEY
4	343146	90 DEGREE DRAIN -KAW BLK
5	363098	CLAMP, FUEL LINE 1/4 ID
6	423069	SPRING DISC. WASHER - 7/16
7	543003	SHEAVE, PUMP DRIVE
8	633033	MUFFLER, KAWASAKI
9	633038	SPACER, ENGINE
10	603083	CLUTCH ADAPT. HARNESS
11	633099	HOSE, FUEL 1/4 X 14"
12	FOR REFERENCE ONLY	ENGINE, KAW FR730 (1-1/8" X 108.8MM)
13	753027	SPRING DISC WASHER
14	823248	CLUTCH SPACER 9/32
15	633073	CLUTCH, 175 LB
16	483098	MUFFLER GASKET

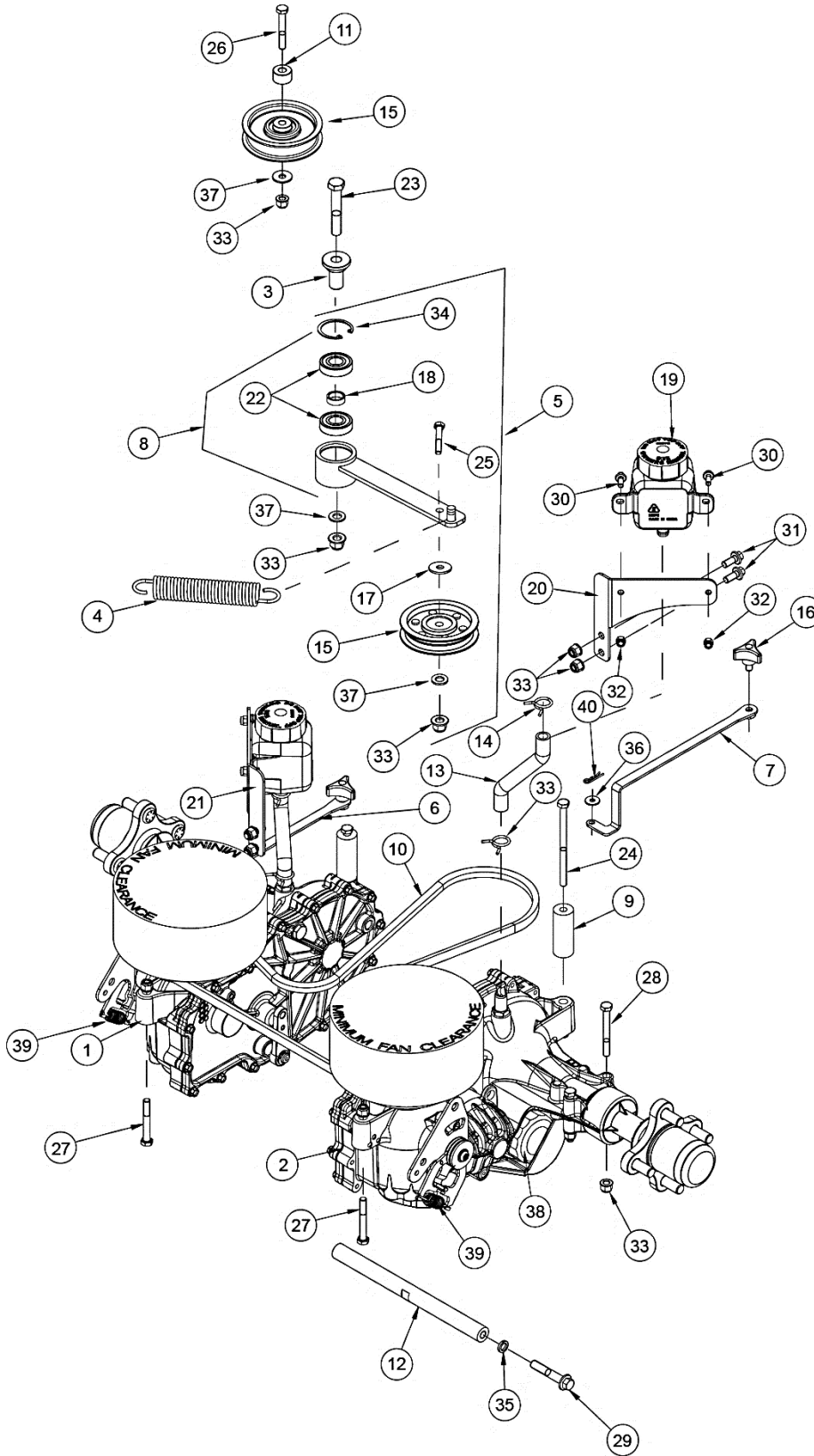
FUEL ASSEMBLY



FUEL ASSEMBLY

ITEM	PART NO.	DESCRIPTION
1	363413	FUEL CAP - EPA/CARB
2	593370	REMOTE VENT
3	363412	VENT VALVE GROMMET
4	5204046	FUEL GAUGE
5	632051	KIT, FUEL GAGE GROMMET
6	632038	ASM, BLK FUEL TANK LP - LH
7	632037	ASM, BLK FUEL TANK LP - RH
8	593457	DECAL, EPA TANK DKA
9	533125	VALVE GROMMET - VITON
10	583183	FUEL TANK ADAPTER
11	363243	SMALL ENCORE LABEL
12	105258	5/16 STD FLAT WASHER
13	105005	5/16 LOCKWASHER-HEAVY
14	100271	5/16-18 X 3/4 HHCS
15	363265	SMALL ENCORE LOGO
16	5204045	SCREW 10-24 UNC X 1/2"
17	B861.1-5	INT TOOTH LOCKWASHER M5
18	5204044	BUSHING
19	633100	HOSE, FUEL 1/4 X 26"
20	B5783-612	SCREW, HH TAP M6x12
21	633104	CHOKE CABLE
22	453417	METER, MS HOUR
23	423027	IGNITION SWITCH
24	101039	#10-24 X 5/8 MACH SCREW
NOT SHOWN	423413	KEY, COVERED IGNITION
25	4807005	SWITCH, PTO
26	633097-1	CONSOLE, TANK PROSUMER, BLK
27	633105	DECAL, CONTROL PANEL
28	633103	THROTTLE CABLE
29	104252	#10-24 HEX NYLOC NUT
30	109008	3/8-24 WHIZLOCK NUT
31	353223	HOSE, VENT 3/16 X 22"
32	583050	FUEL VALVE
33	603031	DRAIN CLAMP
34	543363	CANISTER, CARBON 680cc
35	5204010	TEE, HOSE 3/16 ID
36	633101	HOSE, FUEL 1/4 X 33"
37	543361	HOSE, VENT 3/16 ID X 15
38	363098	CLAMP, FUEL LINE 1/4 ID
39	5000130	REDUCER, HOSE 3/16 - 1/4
40	543372	HOSE, VENT 3/16 ID X 12
41	623414	HOSE, FUEL 1/4" ID X 4"
42	543326	WASHER, SPRING DISC 1/4

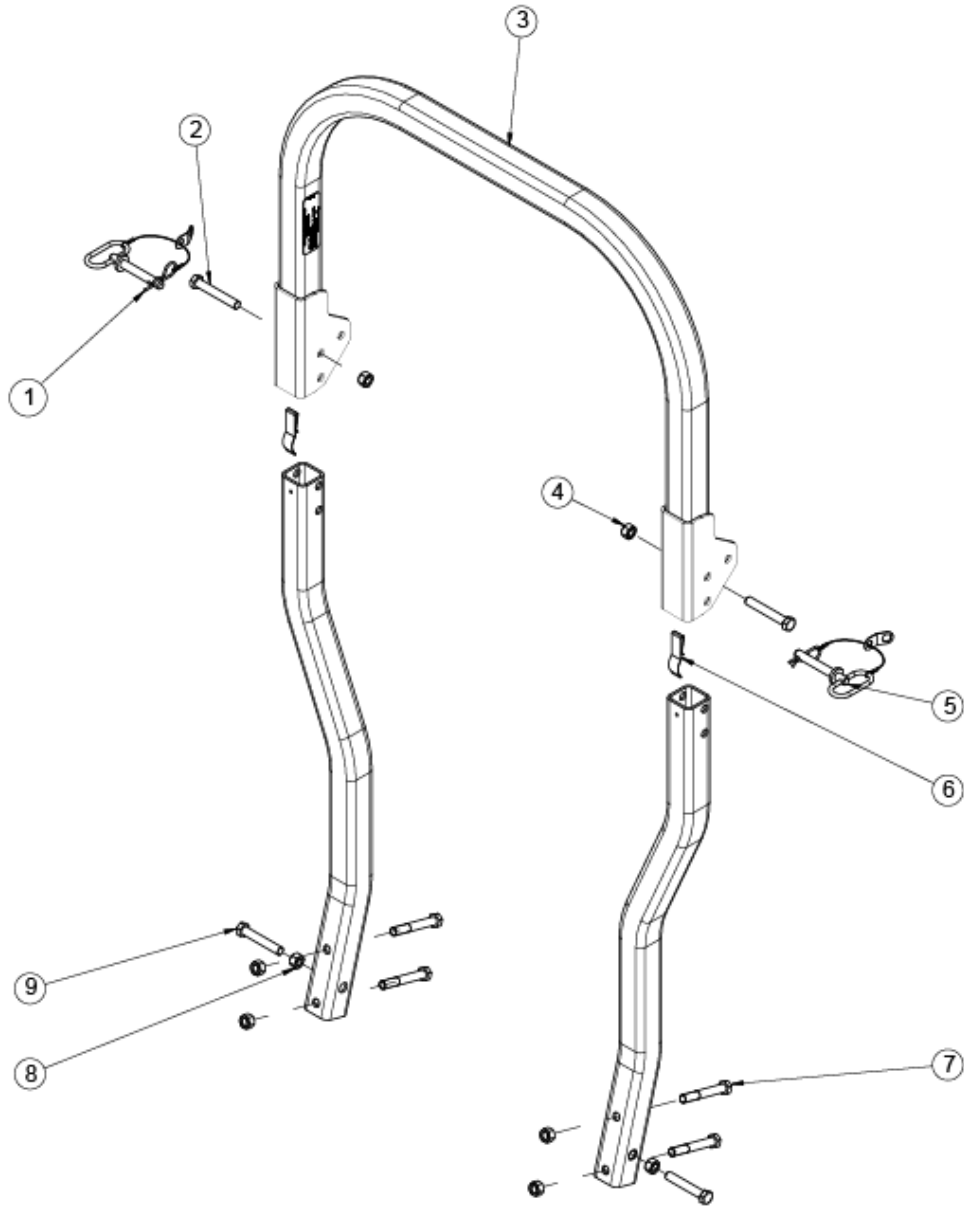
3200 HYDRO ASSEMBLY



3200 HYDRO ASSEMBLY

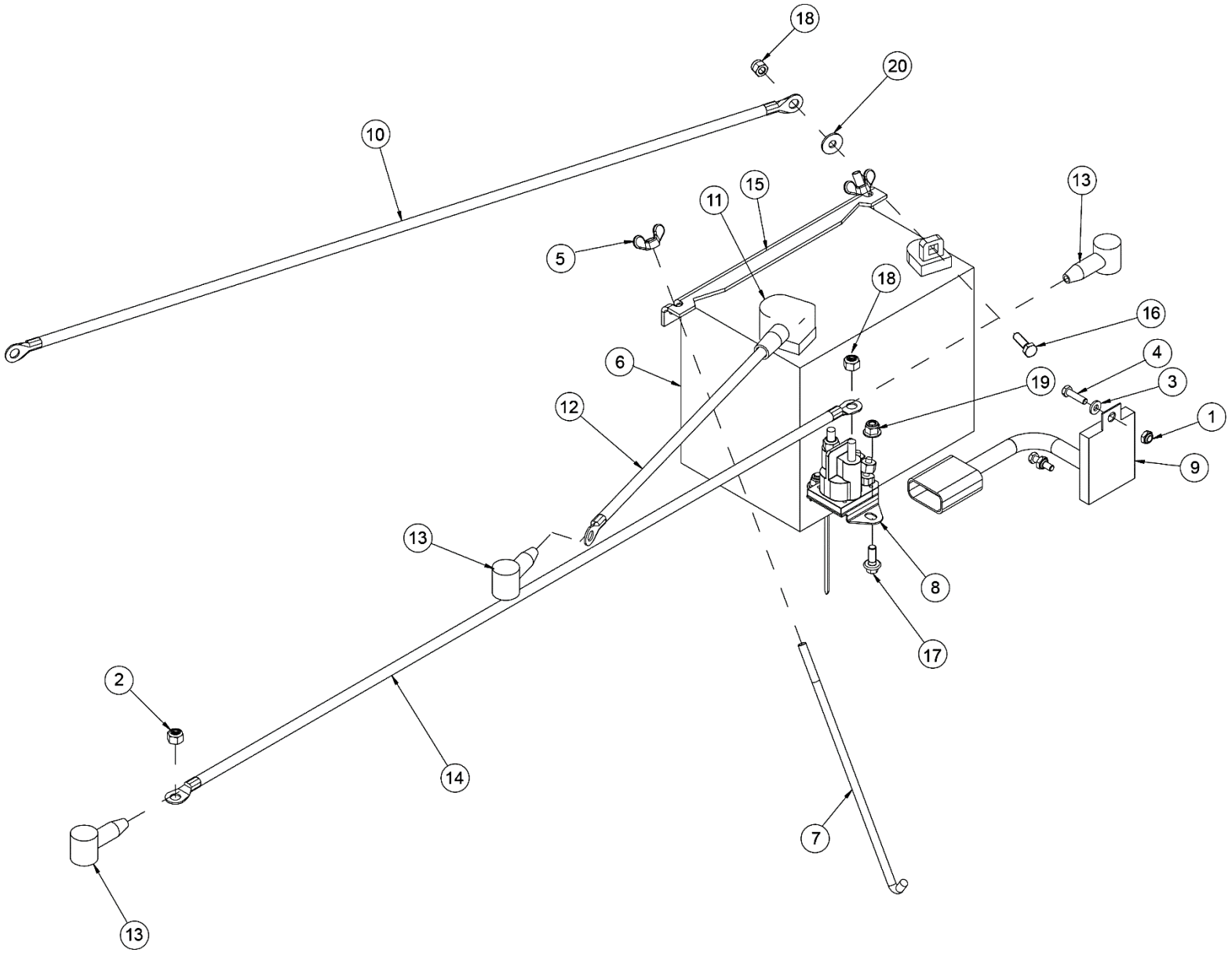
ITEM	PART NO.	DESCRIPTION
1	442023	ASM, RH ZT-3200 TRANSAXLE
2	442024	ASM, LH ZT-3200 TRANSAXLE
3	453313	BUSHING, STEPPED
4	543520	EXTENSION SPRING
5	632017	ASM, HYDRO IDLER W/PULLEY
6	632020	WLD, HYDRO RELEASE RH
7	632021	WLD, HYDRO RELEASE LH
8	632022	ASM, HYDRO IDLER
9	633030	HYDRO SPACER
10	633061	BELT, HYDRO
11	633108	SPACER
12	633249	ROD, 20MM HYDRO SUPPORT
13	633272	HOSE, EXP TANK MOLDED
14	633273	CLAMP, 11/16 WIRE
15	633302	PULLEY, 03.37 X .75 IDLER
16	3302190	KNOB, 3-PRONGED W/STUD
17	3303034	WASHER 8MM
18	5201077	BUSHING
19	6012021	TANK, VIPER U EXPANSION
20	633066-1	BRACKET, HYDRO TANK LH - BLACK
21	633067-1	BRACKET, HYDRO TANK RH - BLACK
22	B276-6203RS	BEARING 6203-2RS
23	B5782-1270	SCREW, HH M12X70
24	B5782-8120	BOLT M8X120
25	B5782-845	BOLT M8X45
26	B5782-855	HEX HD BOLT M8X55
27	B5782-860	HEX HD BOLT M8X60
28	B5782-870	BOLT M8X70
29	B5787-1055	BOLT M10 X 55
30	B5787-616	SCREW, HH FLANGE M6X16
31	B5787-820	SCREW, HH FLANGE M8X20
32	B6182-6	NUT, NYLOC M6
33	B6183-8	NUT, NYLOC M8
34	B893.1-40	SNAP RING 40
35	B93-10	SPLIT LOCK WASHER M10
36	B96-6	WASHER, FLAT LARGE M6
37	B96-8	WASHER 8
38	H-52114	FILTER, SPIN-ON 2.6 X 3.0
39	H-52401	SPRING
40	XSZ56-1-17	HAIR PIN

ROPS ASSEMBLY



ITEM	PART NO.	DESCRIPTION
1	153025	#4 HAIRPIN COTTER
2	100332	SCREW, HH 1/2-13 X 3-1/4
3	632031	ROPS ASM
4	104259	1/2-13 HEX NYLOC NUT
5	543262	PIN, ROPS W/LANYARD
6	633152	SPRING, DB ROPS
7	100334	1/2-13 X 3-1/2 HHCS
8	104509	1/2-13 REG HEX NUT
9	100049	SCREW, HH TAP 1/2-13 X 3

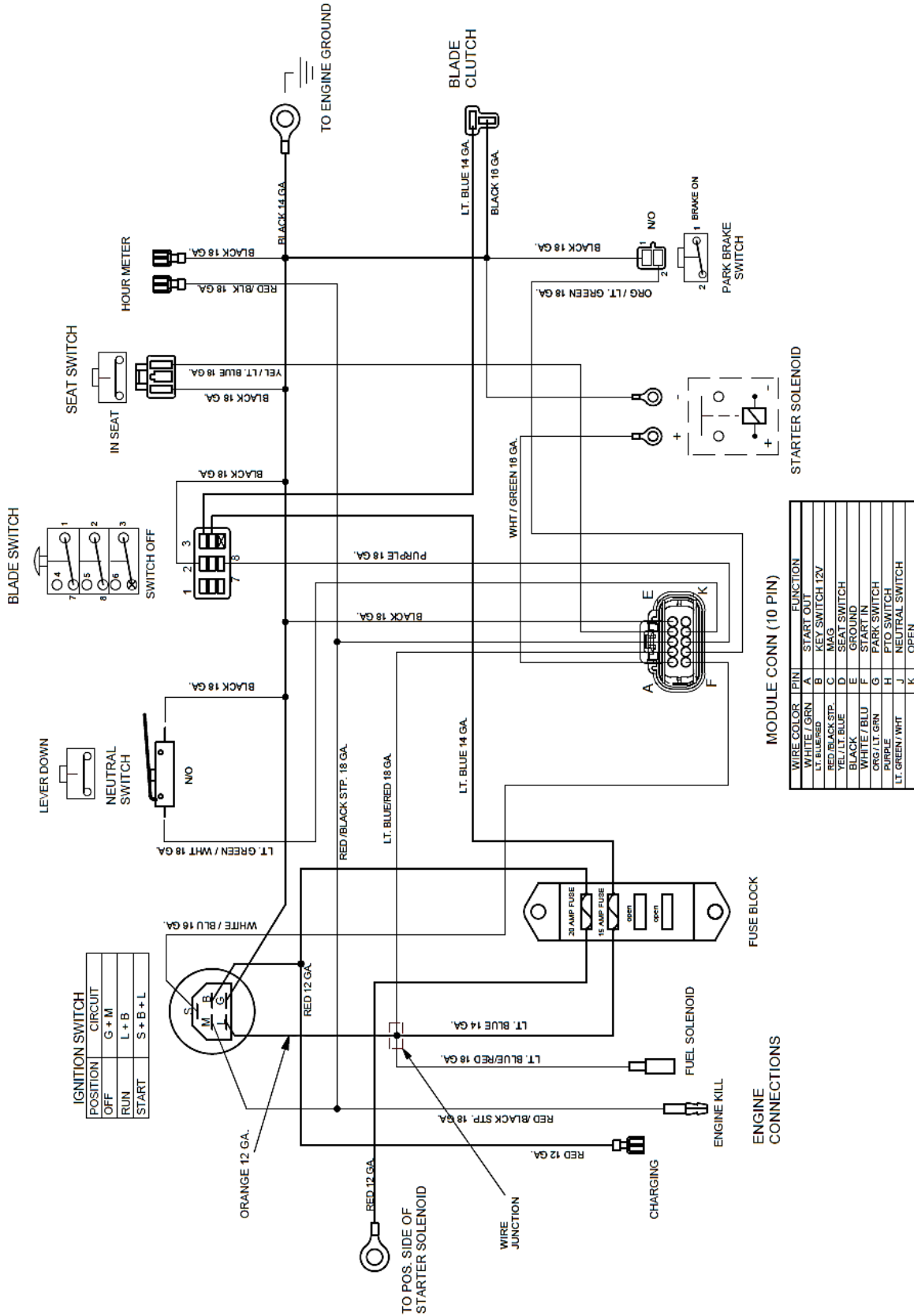
HARNESS/BATTERY GROUP



HARNESS BATTERY GROUP

ITEM	PART NO.	DESCRIPTION
1	104252	#10-24 HEX NYLOC NUT
2	104255	1/4-20 HEX NYLOC NUT
3	105507	3/16 POP RIVET BURR
4	109009	#10-24 X 3/4 HHCS
5	109012	1/4 WING NUT
6	FOR REFERENCE ONLY	BATTERY 12V
7	423172	BATTERY HOLD DOWN ROD - PLATED
8	422150	STARTER RELAY W/TERMINALS
9	443063	MODULE, PT SAFETY
10	543330	CABLE, BATTERY NEGATIVE
11	823199	BATTERY BOOT
12	2808106	CABLE, BATTERY POS
13	2808107	RELAY CABLE COVER
14	4807105	POSITIVE POLE CABLE-BATTERY
15	453419-1	BATTERY HOLD DOWN - BLACK
16	B5783-620	SCREW, HH TAP M6x20
17	B5787-616	SCREW, HH FLANGE M6X16
18	B6182-6	NUT, NYLOC M6
19	B6183.1-6	FLANGED LOCKNUT M6
20	B96-6	WASHER, FLAT LARGE M6
NOT SHOWN	443062	HARNESS, SS W/MODULE DETAIL PG 45

WIRING HARNESS



DECAL ASSEMBLY



8008



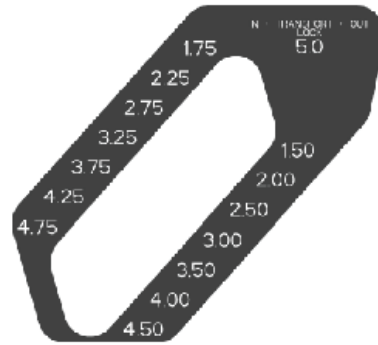
8303



453389



453390



633106



483075



523493



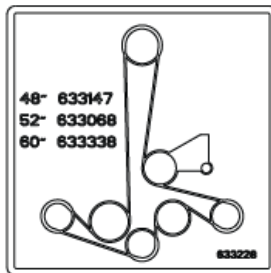
543402



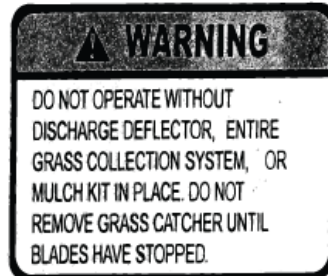
543380



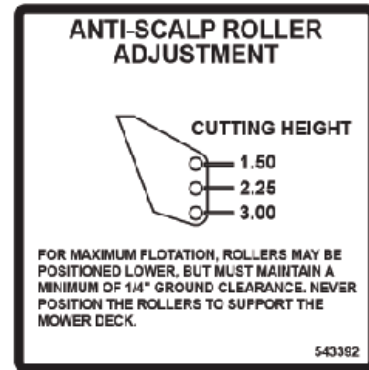
543391



633228



8307



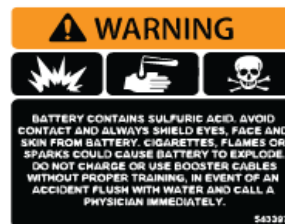
543392



8318



363023

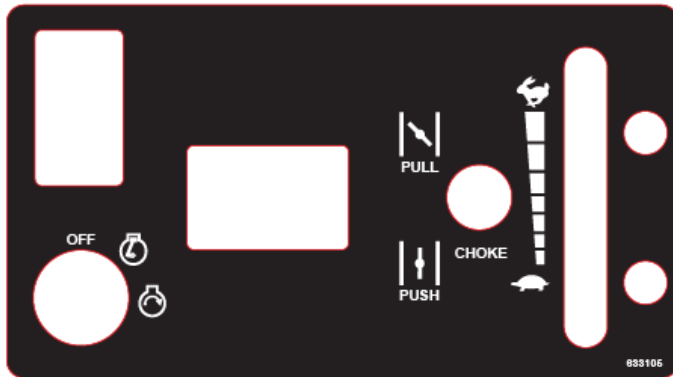


543397

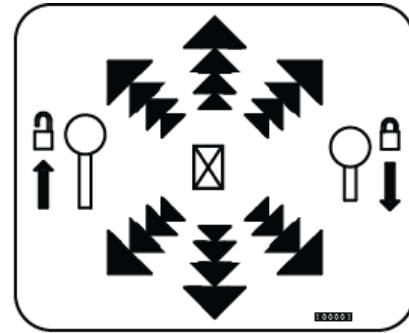


543433

DECAL ASSEMBLY



633105



443050



363243



543470



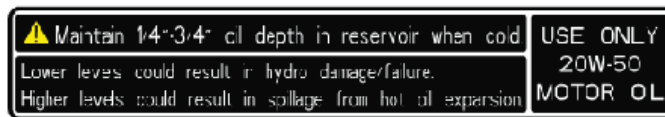
633306



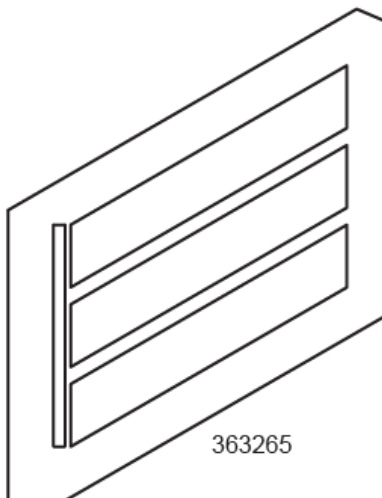
543504



543401



543396



363265



633250



ENCORE

ALL RIGHTS RESERVED

CONTENTS SUBJECT TO CHANGE

EDGE PARTS MANUAL

202009A