



CALIBER

PARTS MANUAL

EC52FX801V4
EC52FX801V4CA

EC60FX850V5X
EC60FX801V5XCA



ENCOREEQUIPMENT.COM

401 COMMERCE STREET

BEATRICE, NE 68310

800-267-4255

FAX – 402-223-4103

Contents

AVAILABLE ACCESSORIES.....	7
CASTER ASSEMBLY.....	8
FRAME ASSEMBLY.....	9
FRONT BEAM \ REAR CROSS SHAFT.....	12
MOTION CONTROL ASSEMBLY 4400.....	14
MOTION CONTROL ASSEMBLY 5400.....	16
SEAT ASSEMBLY.....	18
REAR TIRE ASSEMBLY – 52” MODELS.....	20
REAR TIRE ASSEMBLY – 60” MODELS.....	21
52” DECK ASSEMBLY.....	22
60” DECK ASSEMBLY.....	26
SPINDLE HOUSING ASSEMBLY.....	28
DECK IDLER ASSEMBLY.....	30
IDLER, FLAT 150MM.....	32
IDLER, FLAT 175MM.....	33
ENGINE ASSEMBLY FX801.....	34
ENGINE ASSEMBLY FX850.....	36
FUEL ASSEMBLY – FX801 - FX850.....	38
FUEL ASSEMBLY CARB FX801.....	40
4400 HYDRO ASSEMBLY.....	42
5400 HYDRO ASSEMBLY.....	45
ELECTRICAL ASSEMBLY.....	48
DECAL ASSEMBLY.....	50
ROPS ASSEMBLY.....	52



AVAILABLE ACCESSORIES

**FITS MODELS: EC52FX801V4
EC52FX801V4CA**

MULCH KIT: 541005 MULCH KIT 52"

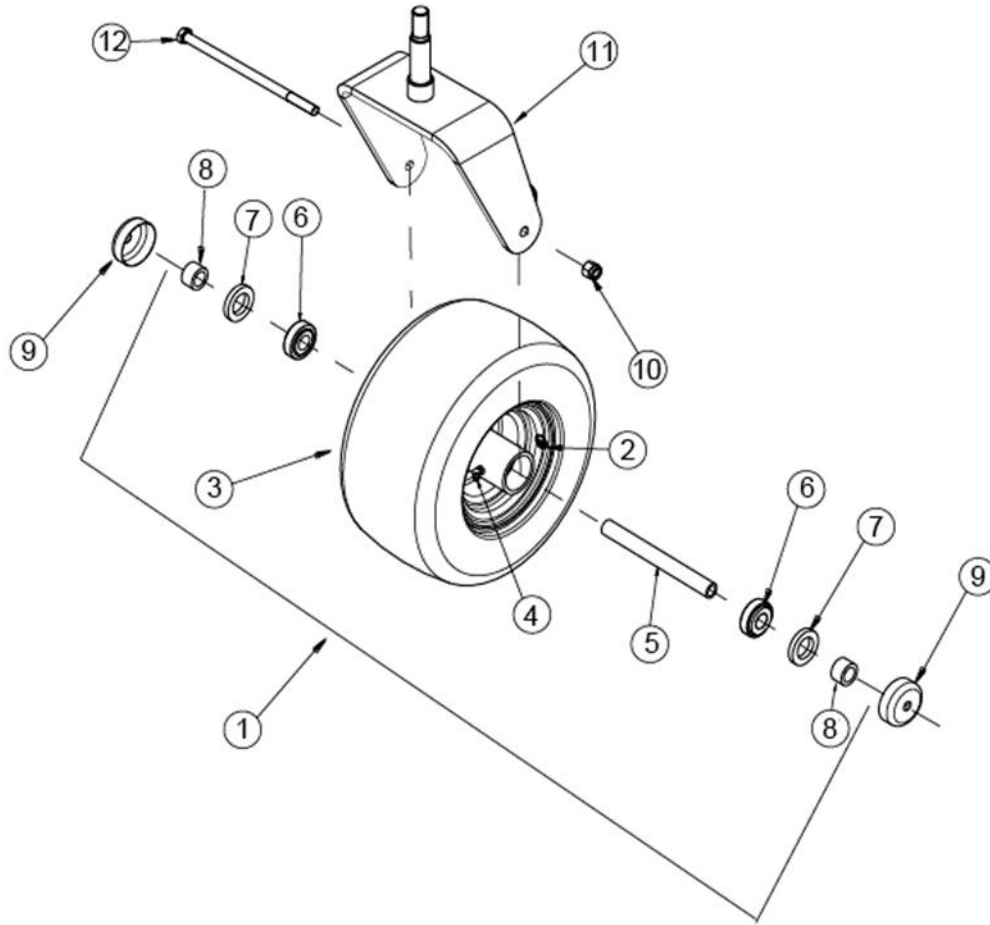
**GRASS CATCHER ASSEMBLY
542200 ASM, 52 GRASS CATCHER W/WEIGHTS
5101002 ASM, 52 BLOWER
542119 ASM, COLLECTION TUBE 52**

**FITS MODELS: EC60FX850V5X
EC60FX801V5XCA**

MULCH KIT: 541006 MULCH KIT 60"

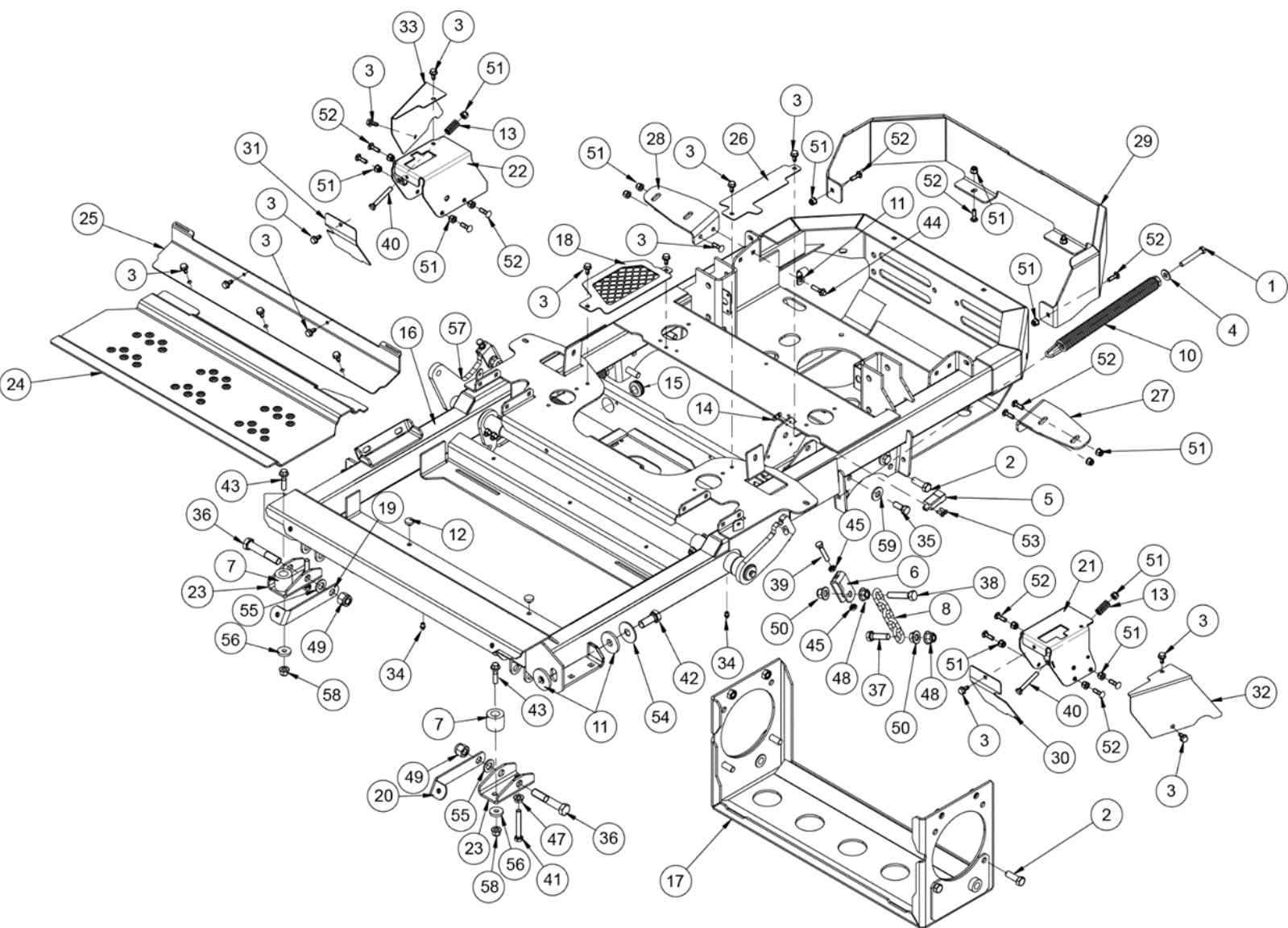
**GRASS CATCHER ASSEMBLY:
542201 ASM, 60, GRASS CATCHER W/WEIGHTS
5101003 ASM, 60 BLOWER
542120 ASM, COLLECTION TUBE 60**

CASTER ASSEMBLY



ITEM	PART NO.	DESCRIPTION
1	542070	ASM, WHEEL COMPLETE 13 X 6.5-6 PNEUM-WHITE
2	453389	DECAL, FRONT TIRE PRESSURE
3	542007	TIRE, 13 X 6.5-6 PNEUMATIC
4	B1153-8	GREASE FITTING M8X1X45
5	543230	TUBE, AXLE
6	5202037	BEARING, TAPERED ROLLER
7	5202036	SEAL, LIP
8	5202035	BUSHING .78
	633295	BUSHING .53
9	5202026	CAP, DUST
10	B6182-12	NUT, NYLOC M12
11	542011-2	WLD, CASTER FORK 6.5, RED
12	543189	BOLT, M12 X 225 MM

FRAME ASSEMBLY



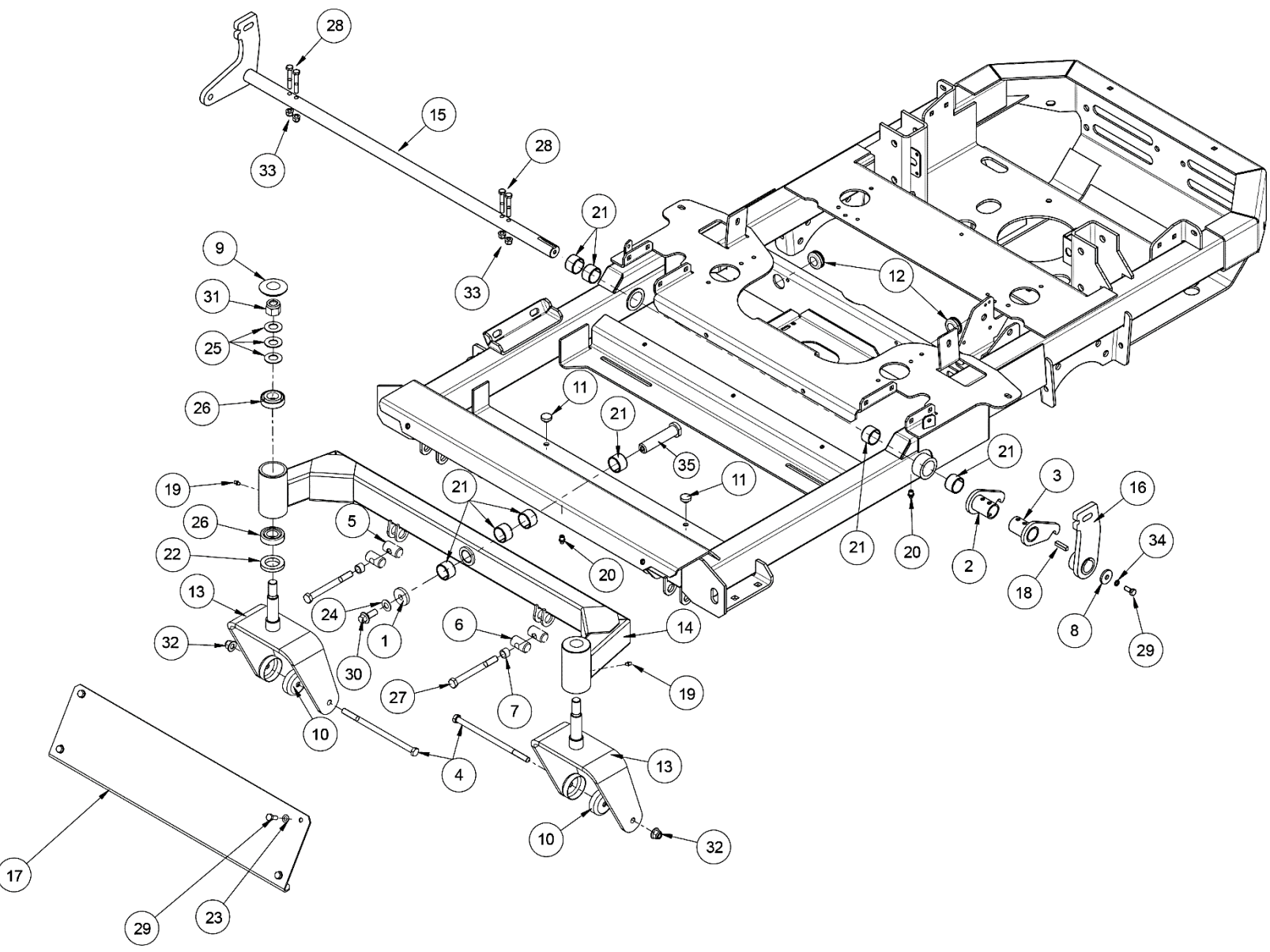
FRAME ASSEMBLY

ITEM	PART NO.	DESCRIPTION
1	100028	SCREW, HH TAP 3/8-16 X 2-1/2
2	100327	1/2-13 X 1-1/2 HHCS
3	102500	SCREW, FLANGE TF M8X16 CA-PT
4	105260	3/8 STD FLAT WASHER
5	523034	PARK SWITCH
6	543125	YOKE, DECK ADJUST
7	543554	RUBBER SPRING 32-GBA-5
8	423359	FRONT CHAIN (5 LINKS)
9	603031	DRAIN CLAMP
10	622135	SPRING TENSION ASSY.755X1.147X14.71
11	683099	WASHER, 5/8" ID UHMW
12	5203907	BUMPER, RUBBER
13	5205003	SPRING, COMPRESSION
14	5208103	NUT RACK
15	4LZ2.16.4-04	GROMMET
16	542204	FRAME W/DECALS
17	542171-2	WLD, LOWER HYDRO, RED
18	542172-1	WLD, FAN GUARD RH, BLK
19	542173-2	WLD, FRONT COVER STRAP RH, RED
20	542174-2	WLD, FRONT COVER STRAP LH, RED
21	542175-1	WLD, T-SLOT BRACKET LH, BLK
22	542176-1	WLD, T-SLOT BRACKET RH BLK
23	542190-2	WLD, DAMPER MOUNT, RED
24	543226-1	FLOORPAN, BLACK
25	543418-1	KICKBOARD, BLK
26	543551-1	GUARD, FAN LH, BLK
27	543561-2	PLATE, FUEL TANK MOUNT, LH, RED
28	543562-2	PLATE, FUEL TANK MOUNT, RH, RED
29	543563-1	REAR GUARD, BLK
30	543567-1	COVER, MOTION CONTROL LH, BLK
31	543568-1	COVER, MOTION CONTROL RH, BLK
32	543569-1	BRACKET, MOTION CONTROL, LH, BLK
33	543570-1	BRACKET, MOTION CONTROL, RH, BLK
34	B1152-8	GREASE FITTING 8MM
35	B12613-322820	BUSHING 32 X 28 X 20
36	B5783-1230	BOLT M12X30
37	B5783-1240	SCREW, HH TAP M12 X 40
38	B5783-1255	SCREW,HH TAP M12 X 55
39	B5783-840	SCREW, HH TAP M8 X 40
40	B5783-860	HEX HD BOLT M8X60

FRAME ASSEMBLY

ITEM	PART NO.	DESCRIPTION
41	B5786-1070B	SCREW, HH TAP M10 X 1.25 X 70
42	B5787-1645	SCREW, HH FLANGED M16 X 45
43	B5787-1040	SCREW, HH FLANGE M10X40
44	B5787-830	SCREW, HH FLANGE M8X30
45	B6172-8	NUT, THIN HEX M8
46	B6177-10	NUT, FLANGED M10
47	B6177.2-10	NUT, SERRATED FLANGE M10 X 1.25MM
48	B6177-12	NUT, FLANGED M12
49	B6182-10	NUT, NYLOC M10
50	B6183-12	NUT, NYLOC FLANGE M12
51	B6183-8	NUT, FLANGED NYLOC M8
52	B801-825	BOLT, CARRIAGE SN M8X25
53	B823-516	SCREW M5X16
54	B96-16	WASHER, FLAT 16
55	B97.1-16	WASHER 16
56	T001012	WASHER, 10 MM
57	REFERENCE ONLY	ASM, CROSS SHAFT REAR DETAIL ON PG 13
58	B6183-10	NUT, NYLOC FLANGE M10
59	105502	WASHER, SPRING DISC 1/2

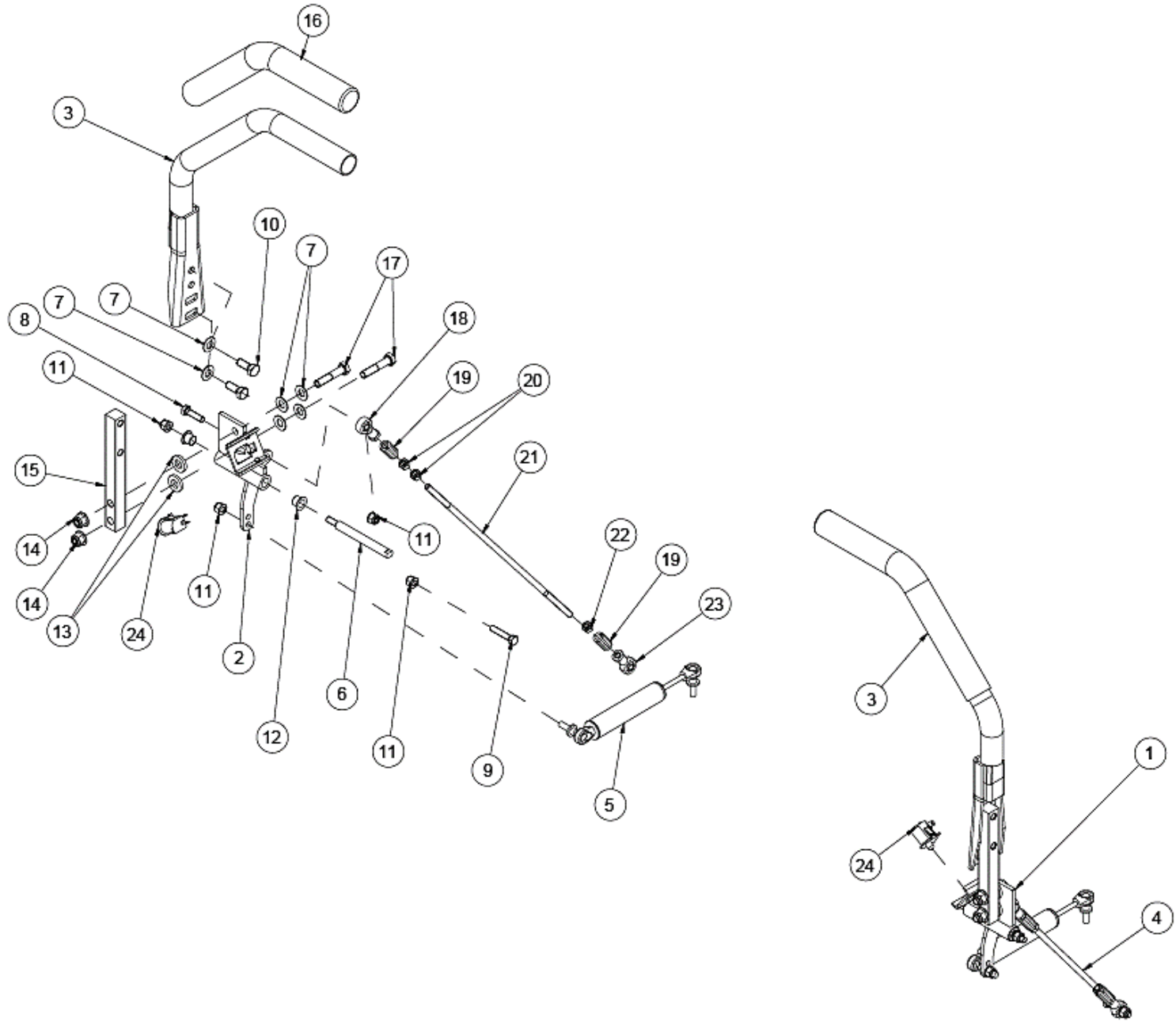
FRONT BEAM \ REAR CROSS SHAFT



FRONT BEAM \ REAR CROSS SHAFT

ITEM	PART NO.	DESCRIPTION
1	423068	CLUTCH WASHER
2	542186	WLD, SPRING MOUNT, REAR RH
3	542187	WLD, SPRING, MOUNT, REAR LH
4	543189	BOLT, M12 X 225 MM
5	543555	CROSS DOWEL W/M12 HOLE
6	543556	CROSS DOWEL W/13MM HOLE
7	543557	DOWEL SPACER
8	5201083	SPACER
9	5202009	DUST CAP
10	5202026	DUST CAP
11	5203907	BUMPER, RUBBER
12	4LZ2.16.4-04	GROMMET
13	542011-2	WLD, CASTER FORK 6.5, RED
14	542177-2	WLD, 52 FRONT AXLE, RED
	542178-2	WLD, 60 FRONT AXLE, RED
15	542184-1	WLD, CROSS SHAFT REAR, BLK
16	542185-1	WLD, BRACKET REAR, BLK
17	543560-2	FRONT COVER, RED
18	B1096-B832	KEY 8 X 32 TYPE B
19	B1152-6	GREASE FITTING M6
20	B1152-8	GREASE FITTING 8MM
21	B12613-322820	BUSHING 32 X 28 X 20
22	B13871-B32528	SEAL (F) 32X52X8
23	B1972-A16	WASHER, SPRING DISC A16-1
24	B1972-A25-2	WASHER, SPRING DISC
25	B1972-A40	WASHER, SPRING DISC A40
26	B297-30205	BEARING 30205
27	B5782-12120	SCREW, HH M12 X 120
28	B5782-850	SCREW, HH M8x50
29	B5783-820	SCREW, HH TAP M8x20
30	B5787-1230	SCREW, HH FLANGED M12 X 30
31	B6182-20	NUT, NYLOC M20
32	B6182-12	NUT, NYLOC M12
33	B6183-8	NUT, FLANGED NYLOC M8
34	B93-8	LOCKWASHER 8
35	543610	PIN, FRONT AXLE

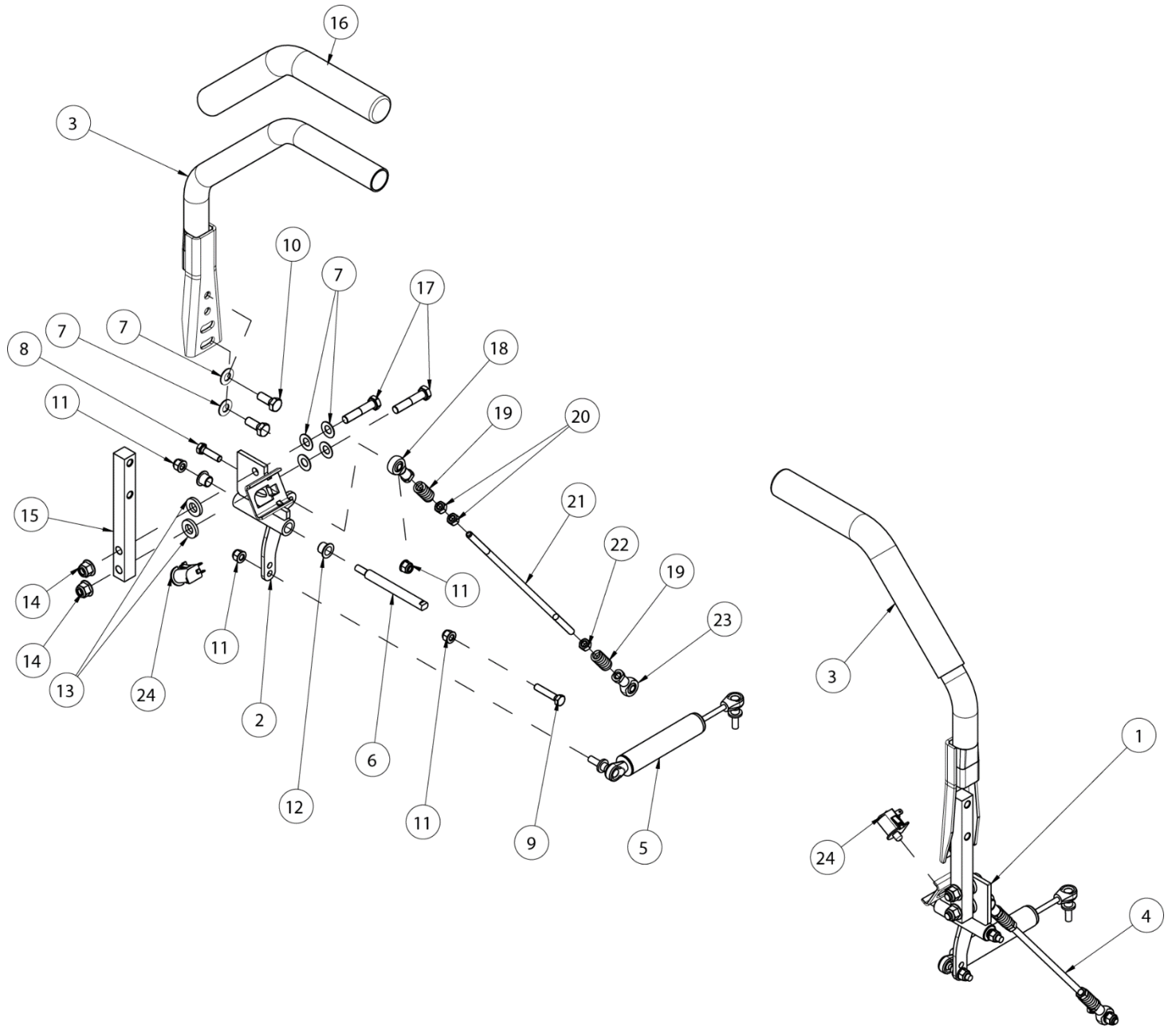
MOTION CONTROL ASSEMBLY 4400



MOTION CONTROL 4400

ITEM	PART NO.	DESCRIPTION
1	542044	WLD, MOTION CONTROL LH
2	542079	WLD, MOTION CONTROL RH
3	542048	MOTION CONTROL LEVER W/GRIP
4	544111	ASM, LINKAGE 4400
5	543229	DAMPER
6	5002111	ROD, MOTION CONTROL
7	B1972-A22.5-2	WASHER, SPRING DISC A22.5 OD
8	B5783-830	SCREW, HH TAP M8x30
9	B5783-840	SCREW, HH TAP M8 X 40
10	B5783-1025	SCREW, HH TAP M10x25
11	B6183-8	NUT, FLANGED NYLOC M8
12	543154	BUSHING, MOTION CONTROL
13	543152	WASHER, PLASTIC
14	B6183-10	NUT, NYLOC FLANGE M10
15	543153	ARM, MOTION CONTROL
16	543156	GRIP, MOTION CONTROL LEVER
17	B5782-1050	BOLT 10X50
18	5205016	ROD END, SPHERICAL M8 RH SIBJK8S
19	5205003	SPRING, COMPRESSION
20	B6171-8	NUT M8
21	543579	ROD, LINKAGE HYDRO 4400
22	B6171-8L	NUT M8X1 (LH)
23	5205017	ROD END, SPHERICAL M8 LH SILBJK8S
24	353048	SWITCH

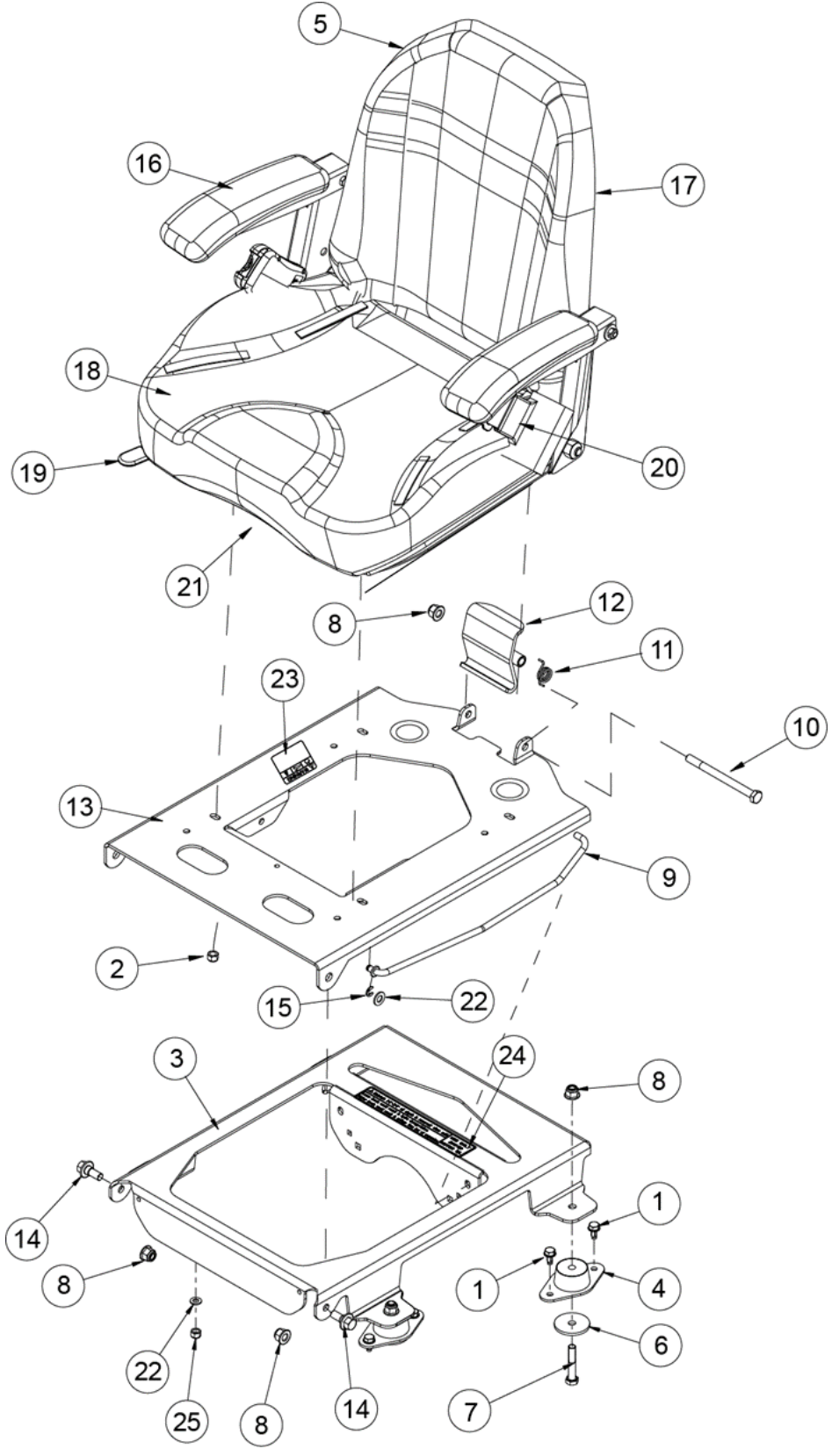
MOTION CONTROL ASSEMBLY 5400



MOTION CONTROL ASSEMBLY 5400

ITEM	PART NO.	DESCRIPTION
1	542044	WLD, MOTION CONTROL LH
2	542079	WLD, MOTION CONTROL RH
3	542048	MOTION CONTROL LEVER W/GRIP
4	542065	5400 LINKAGE COMPLETE
5	543229	DAMPER
6	5002111	ROD, MOTION CONTROL
7	B1972-A22.5-2	WASHER, SPRING DISC A22.5 OD
8	B5783-830	SCREW, HH TAP M8x30
9	B5783-840	SCREW, HH TAP M8 X 40
10	B5783-1025	SCREW, HH TAP M10x25
11	B6183-8	NUT, FLANGED NYLOC M8
12	543154	BUSHING, MOTION CONTROL
13	543152	WASHER, PLASTIC
14	B6183-10	NUT, NYLOC FLANGE M10
15	543153	ARM, MOTION CONTROL
16	543156	GRIP, MOTION CONTROL LEVER
17	B5782-1050	BOLT 10X50
18	5205016	ROD END, SPHERICAL M8 RH SIBJK8S
19	5205003	SPRING, COMPRESSION
20	B6171-8	NUT M8
21	543193	ROD, LINKAGE HYDRO LONG
22	B6171-8L	NUT M8X1 (LH)
23	5205017	ROD END, SPHERICAL M8 LH SILBJK8S
24	353048	SWITCH

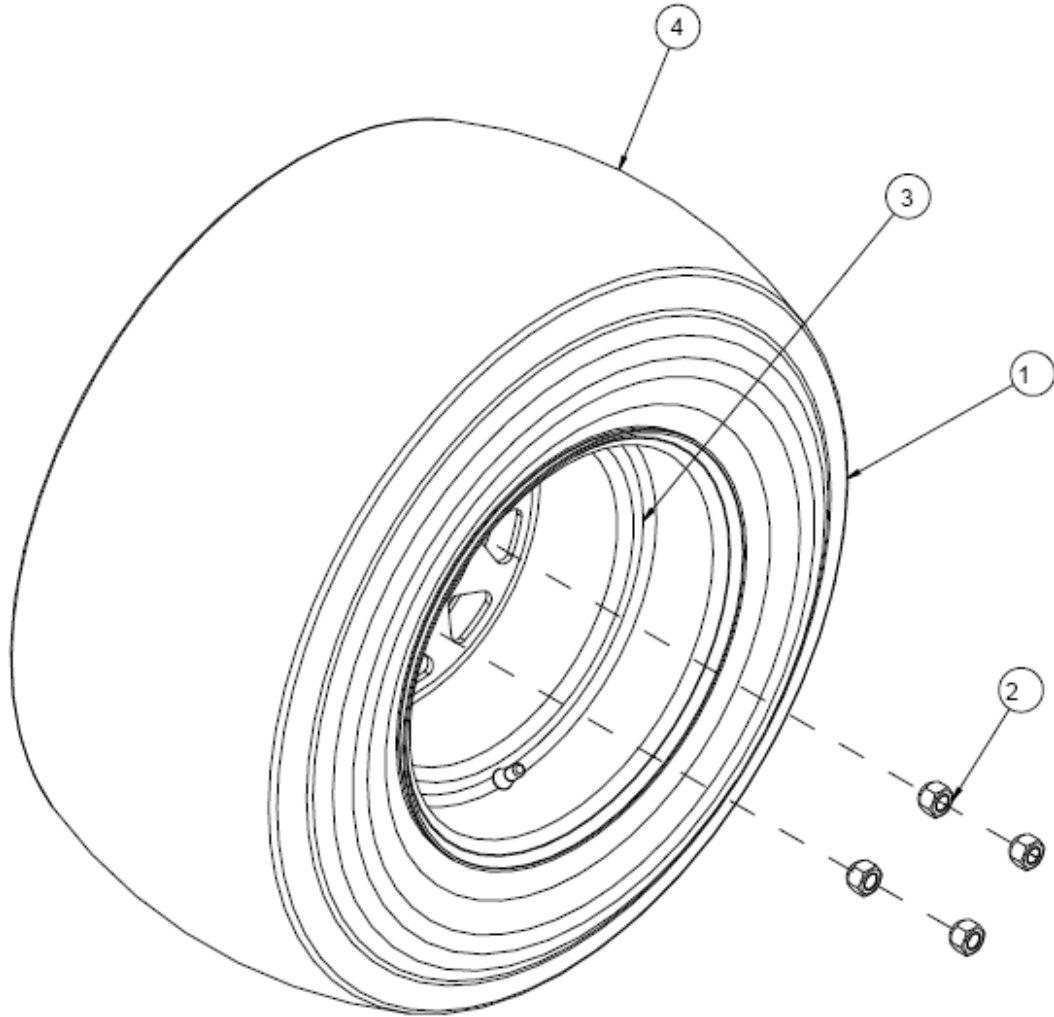
SEAT ASSEMBLY



SEAT ASSEMBLY

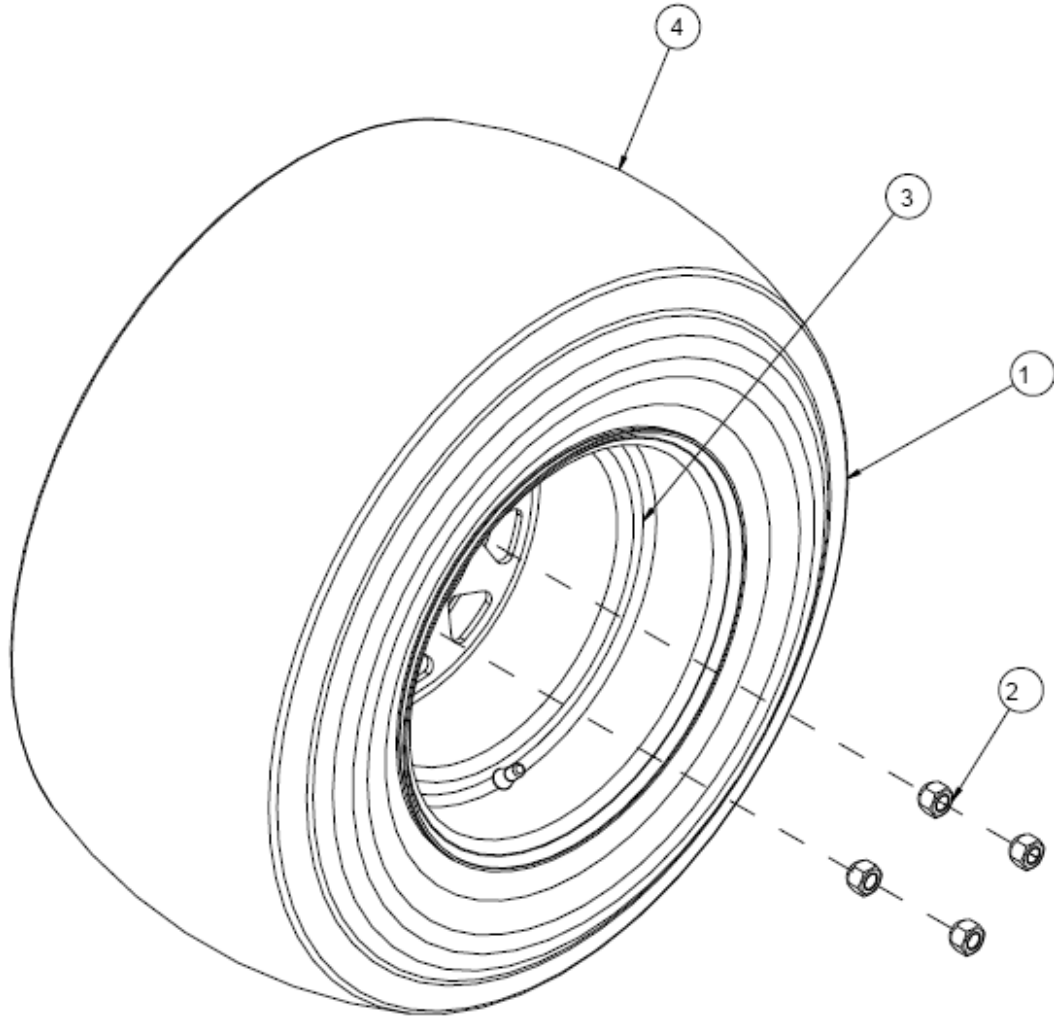
ITEM	PART NO	DESCRIPTION
1	102500	SCREW, FLANGE TF M8X16 CA-PT
2	104256	5/16-18 HEX NYLOC NUT
3	544152	SEAT PAN W/DECAL
4	543181	ISO- MOUNT, SEAT
5	543271	SEAT, WORL DLAWN
6	543296	WASHER, SNUBBER
7	B5782-1055	SCREW, HH M10X55
8	B6183-10	NUT, NYLOC FLANGE M10
9	543252	SEAT ROD
10	B5782-10125	SCREW, HH M10X125
11	543180	SPRING, TORSION
12	542060	WLD, SEAT LATCH
13	542111	FRAME, SEAT, BLACK WITH DECALS
14	543177	SHOULDER BOLT 10MM
15	B896-6	E-CLIP 6
16	593097	ARM REST PAD-GREY/MOLDED
17	543442	BACK, SEAT WL
18	543441	CUSHION, SEAT WL
19	543438	KIT, SEAT TRACK 4"
20	543004	KIT, SEAT BELT, RETRACTABLE
21	353048	SEAT SWITCH
22	B97.1-8	WASHER 8
23	543397	DECAL, BATTERY WARNING
24	543396	DECAL, HYDRO RESERVOIR
25	104256	5/16-18 HEX NYLOC NUT

REAR TIRE ASSEMBLY – 52” MODELS



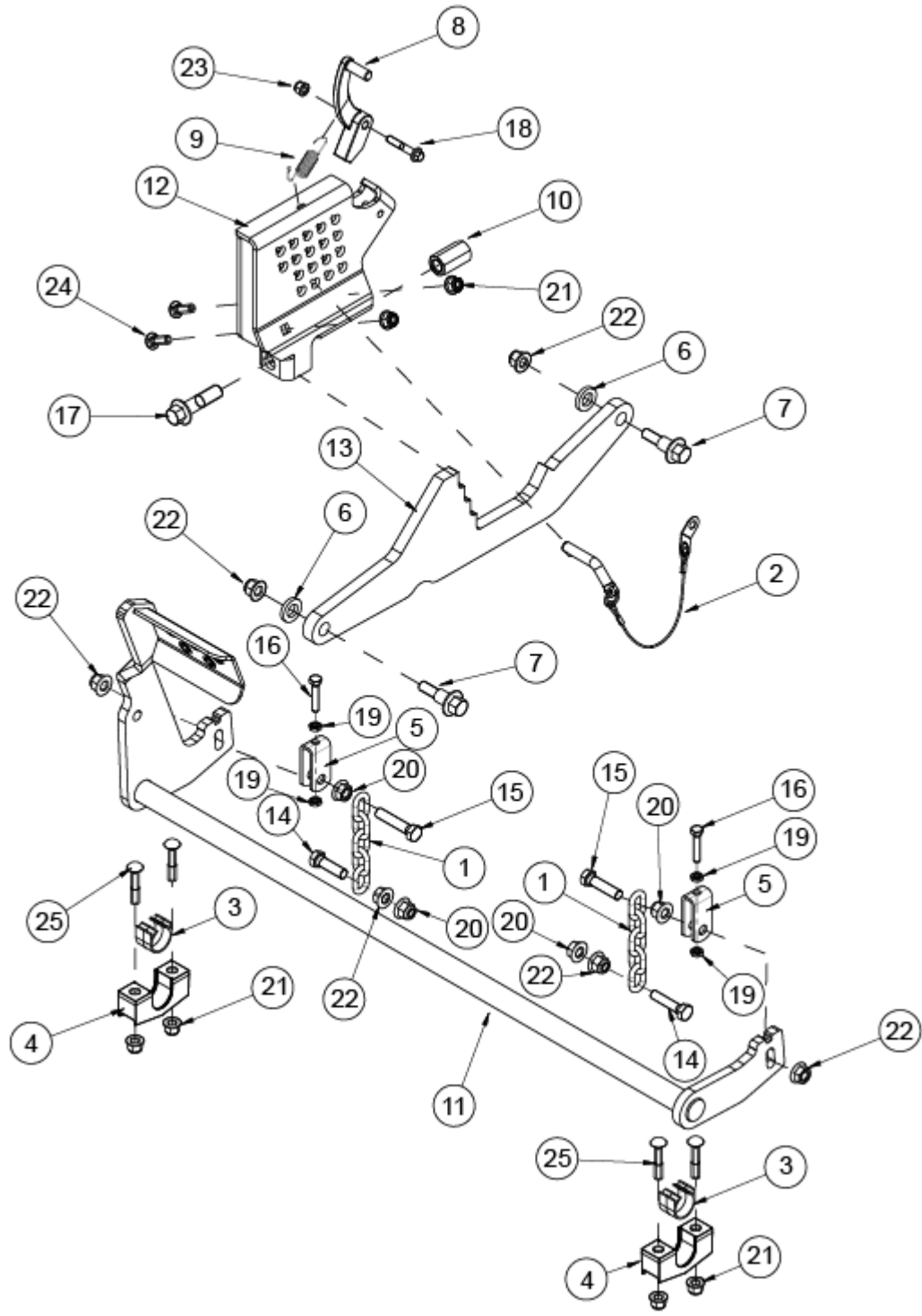
ITEM	PART NO.	DESCRIPTION
1	543427	ASM, WHEEL 24 X 9.5-12
2	103023	1/2-20 X 60 T LUG NUT
3	542101	WHEEL, 12 X 7
4	542102	TIRE, 24 X 9.5-12

REAR TIRE ASSEMBLY – 60” MODELS



ITEM	PART NO.	DESCRIPTION
1	543012	ASM, WHEEL 24 X 12-12
2	103023	1/2-20 X 60 T LUG NUT
3	542018	WHEEL, 12 X 10.5
4	542019	TIRE, 24 X 12.0-12

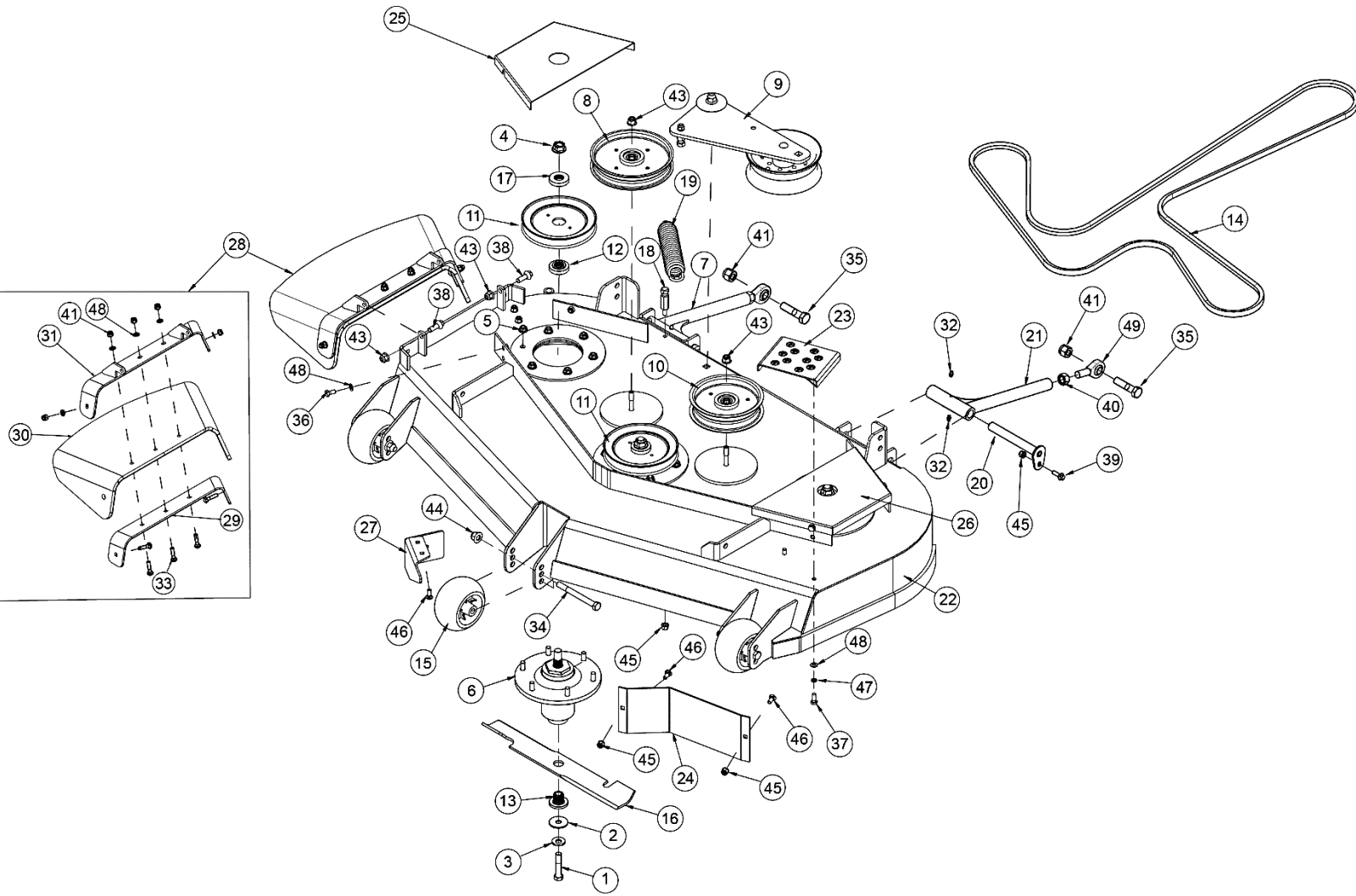
DECK LIFT ASSEMBLY



DECK LIFT ASSEMBLY

ITEM	PART NO.	DESCRIPTION
1	423359	FRONT CHAIN (5 LINKS)
2	542193	ASM, HEIGHT PIN
3	543123	BUSHING, CROSS SHAFT
4	543124	MOUNT, CROSS SHAFT
5	543125	YOKE, DECK ADJUST
6	543126	SPACER, 16MM X 5M
7	543127	BOLT, SHOULDER 12MM
8	543138	PAWL, TRANSPORT
9	543302	SPRING, EXTENSION
10	543445	NUT, LONG 16MM
11	542003-1	WLD, CROSS SHAFT FRONT, BLACK
12	54112	HOC PLATE W/DECAL
13	543599-1	LINK, SIDE, BLK
14	B5783-1240	SCREW, HH TAP M12 x 40
15	B5783-1255	SCREW, HH TAP M12 x 55
16	B5783-840	SCREW, HH TAP M8 X 40
17	B5787-1660	SCREW, HH FLANGE M16 X 60
18	B5787-845	SCREW, HH FLANGE M8X45
19	B6172-8	NUT, THIN HEX M8
20	B6177-12	NUT, FLANGED M12
21	B6183-10	NUT, NYLOC FLANGE M10
22	B6183-12	NUT, NYLOC FLANGE M12
23	B6183-8	NUT, FLANGED NYLOC M8
24	B801-1030	BOLT, CARRIAGE SN M10X30
25	B801-1050	BOLT, CARRIAGE SN M10x50

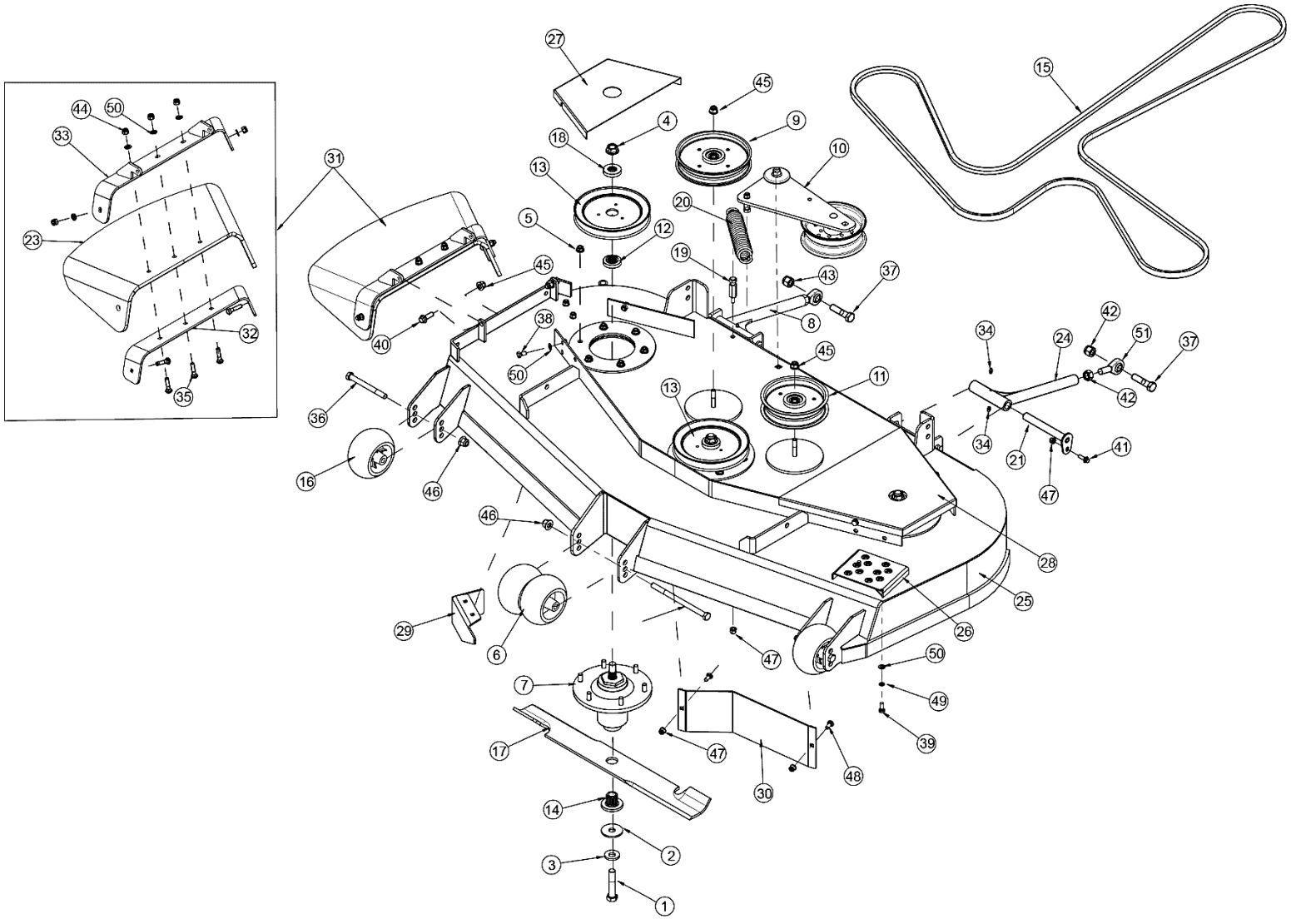
52" DECK ASSEMBLY



52" DECK ASSEMBLY

ITEM	PART NO.	DESCRIPTION
1	100537	1/2-20 X 2-1/2 HHCS
2	103038	WASHER, FLAT .530 X 1.75 X .125
3	105502	WASHER, SPRING DISC 1/2
4	109047	NUT, FLANGE SIDELOCK 5/8-18 UNF
5	109048	NUT, FLANGE NYLOC 3/8-16 UNC
6	542014	ASM, SPINDLE HOUSING - DETAIL PG 26
7	542025	ASM, DECK STRUT
8	542125	IDLER, FLAT 175MM W/NEW SPACER - DETAIL PG 31
9	542132	ASM, COMPLETE DECK IDLER - DETAIL PG 28
10	542147	ASM, 150MM FLAT IDLER W/SPACER - DETAIL PG 30
11	543013	SHEAVE, BLADE DRIVE 6.23
12	543014	SPACER, BLADE DRIVE
13	542123	DRIVER, BLADE
14	543097	BELT, DECK 52"
15	543225	ROLLER, ANTI SCALP
16	543293	BLADE, STD 18.0"
17	543337	SPACER, SPLINED
18	543374	ANCHOR, SPRING 1.46
19	5201002	SPRING, EXTENSION
20	5201055	AXLE PIN WELDMENT
21	542024-1	WLD, STRUT, BLACK
22	542205	52" DECK W/DECALS
23	542195-2	WLD, ANTI-SKID PAN, RED
24	543046-2	BAFFLE, BIRDWING LH, PTD
25	542115	BELT SHIELD SHORT W/DECALS
26	542116	BELT SHIELD LONG W/DECALS
27	543213-2	BAFFLE, DOGLEG 52, RED
28	6001050A	ASM, DISCHARGE CHUTE 52/60
29	6001052A	INNER BRACKET, DISCHARGE CHUTE
30	6001053	DISCHARGE CHUTE (RUBBER)
31	6001054A	OUTER BRACKET, DISCHARGE CHUTE
32	B1152-6	GREASE FITTING M6
33	B12-835	CARRIAGE HD BOLT M8 X 35
34	B5782-12120	SCREW, HH M12 X 120
35	B5782-1665	SCREW, HH M16 X 65
36	B5783-816	SCREW, HH TAP M8X16
37	B5783-820	SCREW, HH TAP M8X20
38	B5787-1030	SCREW, HH FLANGE M10X30
39	B5787-825	SCREW, HH FLANGE M8X25
40	B6170-16	NUT M16
41	B6182-16	NYLOC NUT M16
42	B6182-8	NUT, NYLOC M8
43	B6183-10	NUT, NYLOC M10
44	B6183-12	NUT, NYLOC M12
45	B6183-8	NUT, FLANGED NYLOC M8
46	B801-820	BOLT, CARRIAGE SN M8X20
47	B93-8	LOCKWASHER 8
48	B97.1-8	WASHER 8
49	SABJK16C	ROD END, SPHERICAL 16mm

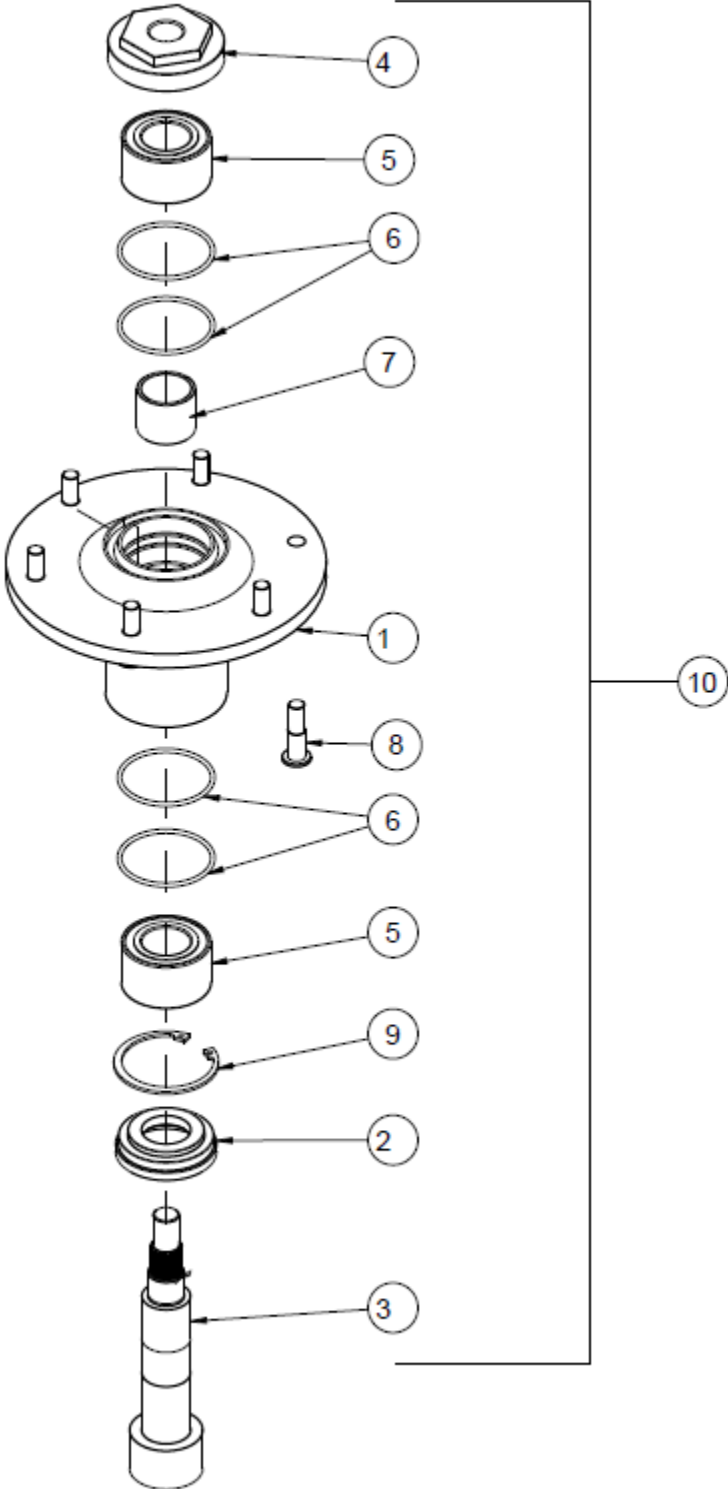
60" DECK ASSEMBLY



60" DECK ASSEMBLY

ITEM	PART NO.	DESCRIPTION
1	100537	1/2-20 X 2-1/2 HHCS
2	103038	WASHER, FLAT .530 X 1.75 X .125
3	105502	WASHER, SPRING DISC 1/2
4	109047	NUT, FLANGE SIDELOCK 5/8-18 UNF
5	109048	NUT, FLANGE NYLOC 3/8-16 UNC
6	423023	ROLLER, ANTI SCALP
7	542014	ASM, SPINDLE HOUSING - DETAIL PG 26
8	542025	ASM, DECK STRUT
9	542125	IDLER, FLAT 175MM W/NEW SPACER - DETAIL PG 31
10	542132	ASM, COMPLETE DECK IDLER - DETAIL PG 28
11	542147	ASM, 150MM FLAT IDLER W/SPACER - DETAIL PG 30
12	543014	SPACER, BLADE DRIVE
13	543080	SHEAVE, BLADE DRIVE 6.86
14	543085	DRIVER, BLADE - SVC BY 542123
15	543103	BELT, DECK 60"
16	543225	ROLLER, ANTI SCALP
17	543294	BLADE, STD 20.5"
18	543337	SPACER, SPLINED
19	543374	ANCHOR, SPRING 1.46
20	5201002	SPRING, EXTENSION
21	5201055	AXLE PIN WELDMENT
22	5202029	SCREW, HH CAP M12 X 185
23	6001053	DISCHARGE CHUTE (RUBBER)
24	542024-1	WLD, STRUT, BLACK
25	542206	60" DECK W/DECALS
26	542195-2	WLD, ANTI-SKID PAN, RED
27	542115	BELT SHIELD SHORT W/DECALS
28	542116	BELT SHIELD LONG W/DECALS
29	543214-2	BAFFLE, DOGLEG 60, RED
30	543217-2	BAFFLE, BIRDWING 60, RED
31	6001050A	ASM, DISCHARGE CHUTE 52/60
32	6001052A	INNER BRACKET, DISCHARGE CHUTE
33	6001054A	OUTER BRACKET, DISCHARGE CHUTE
34	B1152-6	GREASE FITTING M6
35	B12-835	CARRIAGE HD BOLT M8 X 35
36	B5782-12120	SCREW, HH M12 X 120
37	B5782-1665	SCREW, HH M16 X 65
38	B5783-816	SCREW, HH TAP M8X16
39	B5783-820	SCREW, HH TAP M8X20
40	B5787-1030	SCREW, HH FLANGE M10X30
41	B5787-825	SCREW, HH FLANGE M8X25
42	B6170-16	NUT M16
43	B6182-16	NYLOC NUT M16
44	B6182-8	NUT, NYLOC M8
45	B6183-10	NUT, NYLOC FLANGE M10
46	B6183-12	NUT, NYLOC FLANGE M12
47	B6183-8	NUT, FLANGED NYLOC M8
48	B801-820	BOLT, CARRIAGE SN M8X20
49	B93-8	LOCKWASHER 8
50	B97.1-8	WASHER 8
51	SABJK16C	ROD END, SPHERICAL 16MM

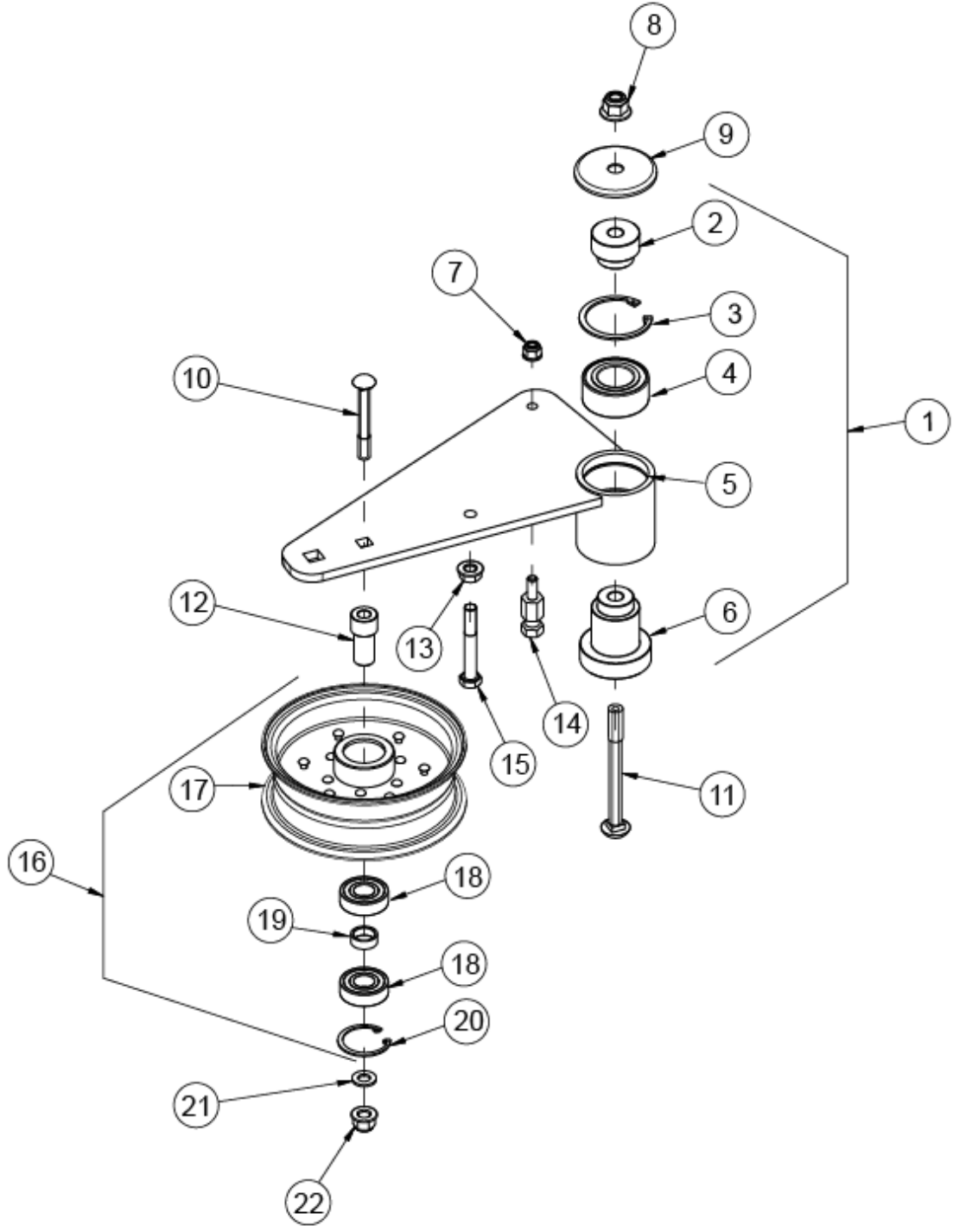
SPINDLE HOUSING ASSEMBLY



SPINDLE HOUSING ASSEMBLY

ITEM	PART NO.	DESCRIPTION
1	542012	HOUSING, CUTTER WITH STUDS
2	543008	GUARD, BOTTOM
3	543009	SPINDLE
4	543010	NUT, SPINDLE
5	543166	BEARING, DAC3055RK
6	B3452.1-545X265	O-RING 54.5 X 2.65
7	543237	SPACER
8	543015	STUD, WHEEL 3/8-16 UNC
9	B893.2-60	RING, SNAP INTERNAL 60mm
10	542014	ASM, CUTTER HOUSING

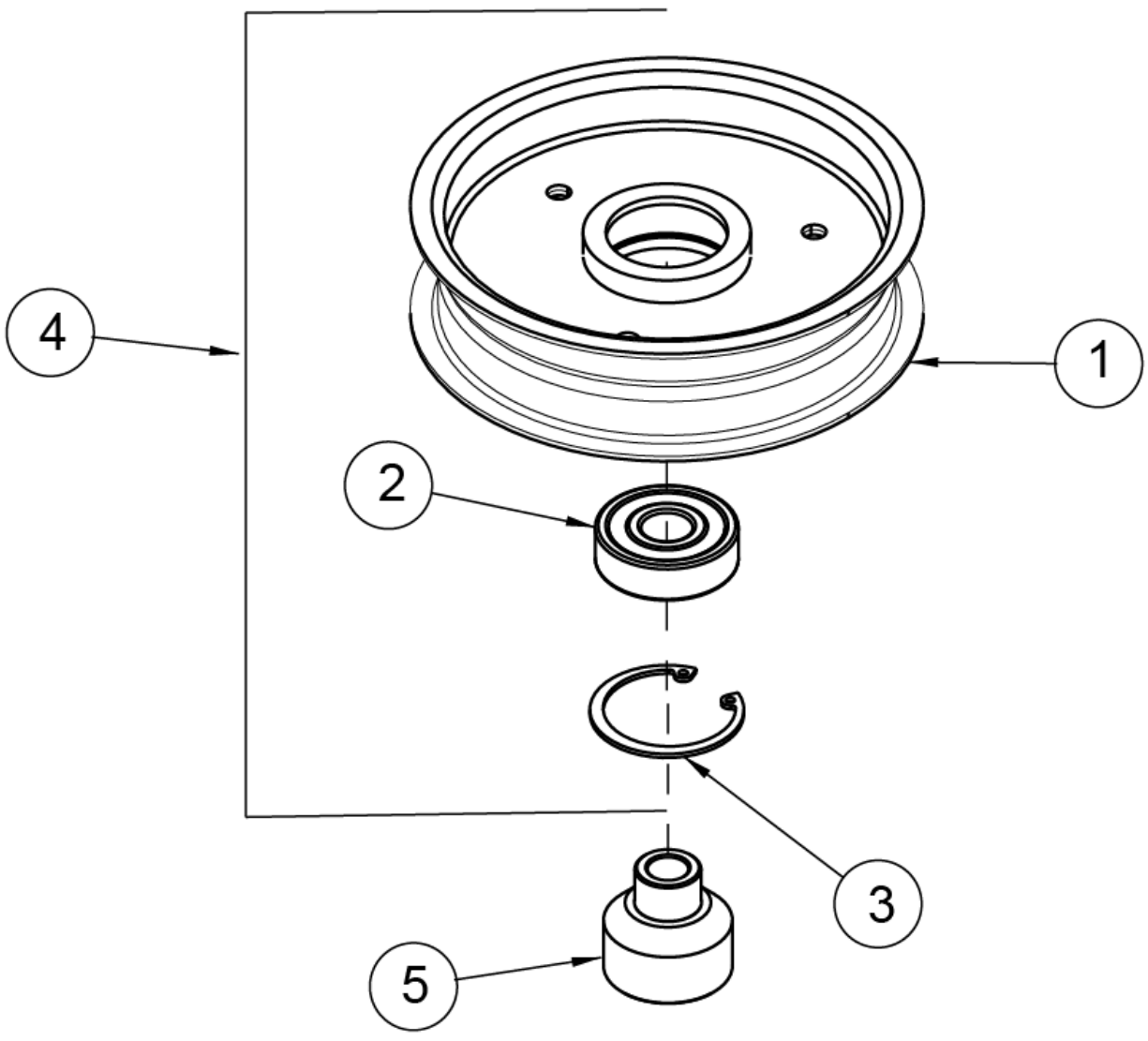
DECK IDLER ASSEMBLY



DECK IDLER ASSEMBLY

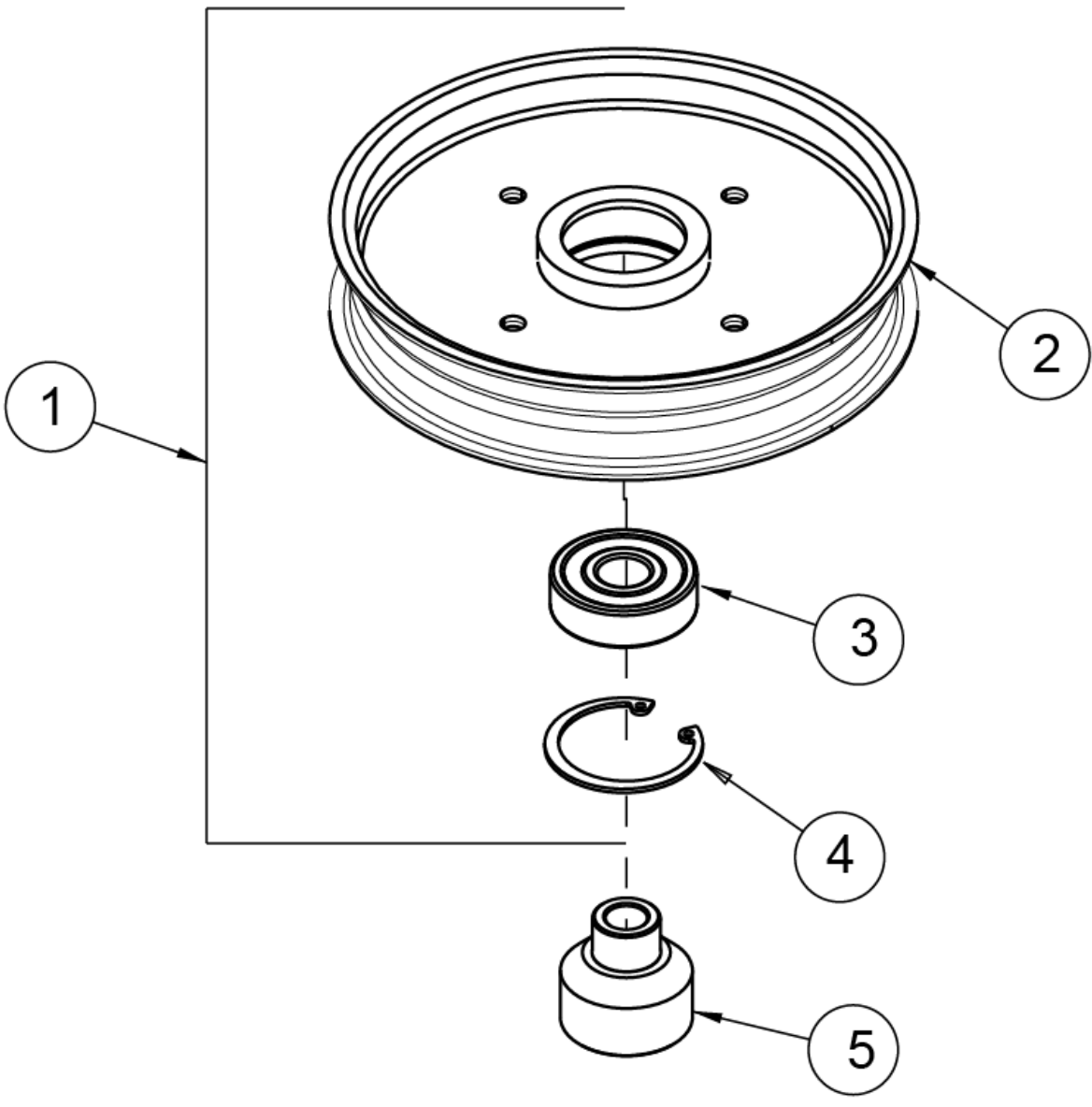
ITEM	PART NO.	DESCRIPTION
1	542131	ASM, DECK IDLER
2	543096	SPACER, STEPPED
3	B893.2-56	RING, SNAP 56MM
4	543236	BEARING, 30BD40DF2
5	542130	WLD, DECK IDLER
6	543463	SPACER, TALL IDLER
7	B6183-8	NUT, FLANGED NYLOC M8
8	B6183-12	NUT, NYLOC FLANGE M12
9	543099	CAP, DUST
10	B801-1075	BOLT, CARRIAGE M10 X 75
11	B801-12120	BOLT, CARRIAGE M12 X 120
12	543462	SPACER, PULLEY
13	B6177-10	NUT, FLANGED M10
14	543100	ANCHOR, SPRING .91
15	B5782-1070	HEX HD BOLT M10- X 70
16	542134	ASM, PULLEY 150MM X 48MM W/BEARINGS
17	542133	ASM, PULLEY 150MM X 48MM
18	B276-6203RS	BEARING 6203-2RS
19	5201077	BUSHING
20	B893.1-40	SNAP RING 40
21	B97.1-10	WSHER, FLAT M10
22	B6183-10	NUT, NYLOC FLANGE M10

IDLER, FLAT 150MM



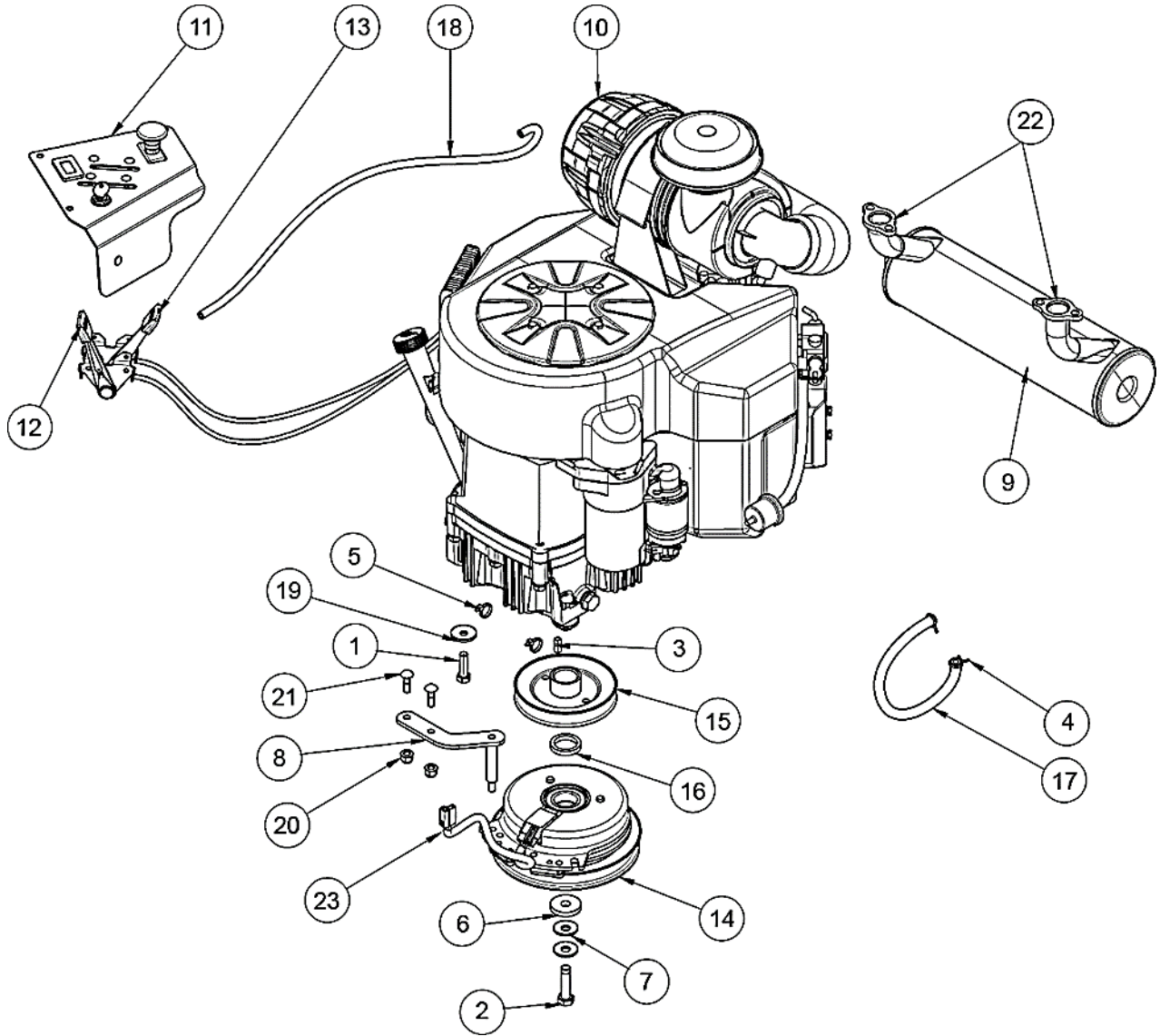
ITEM	PART NO.	DESCRIPTION
1	542137	WLD, FLAT IDLER 150MM
2	B276-6303RS	BEARING 6303-2RS
3	B893.2-47	SNAP RING 47
4	542138	IDLER, FLAT 150MM W/BEARING
5	543450	SPACER, IDLER

IDLER, FLAT 175MM



ITEM	PART NO.	DESCRIPTION
1	542125	IDLER, FLAT 175MM W/NEW SPACER
2	542032	WLD, FLAT IDLER 175MM
3	B276-6303RS	BEARING 6303-2RS
4	B893.2-47	SNAP RING 47
5	543450	SPACER, IDLER

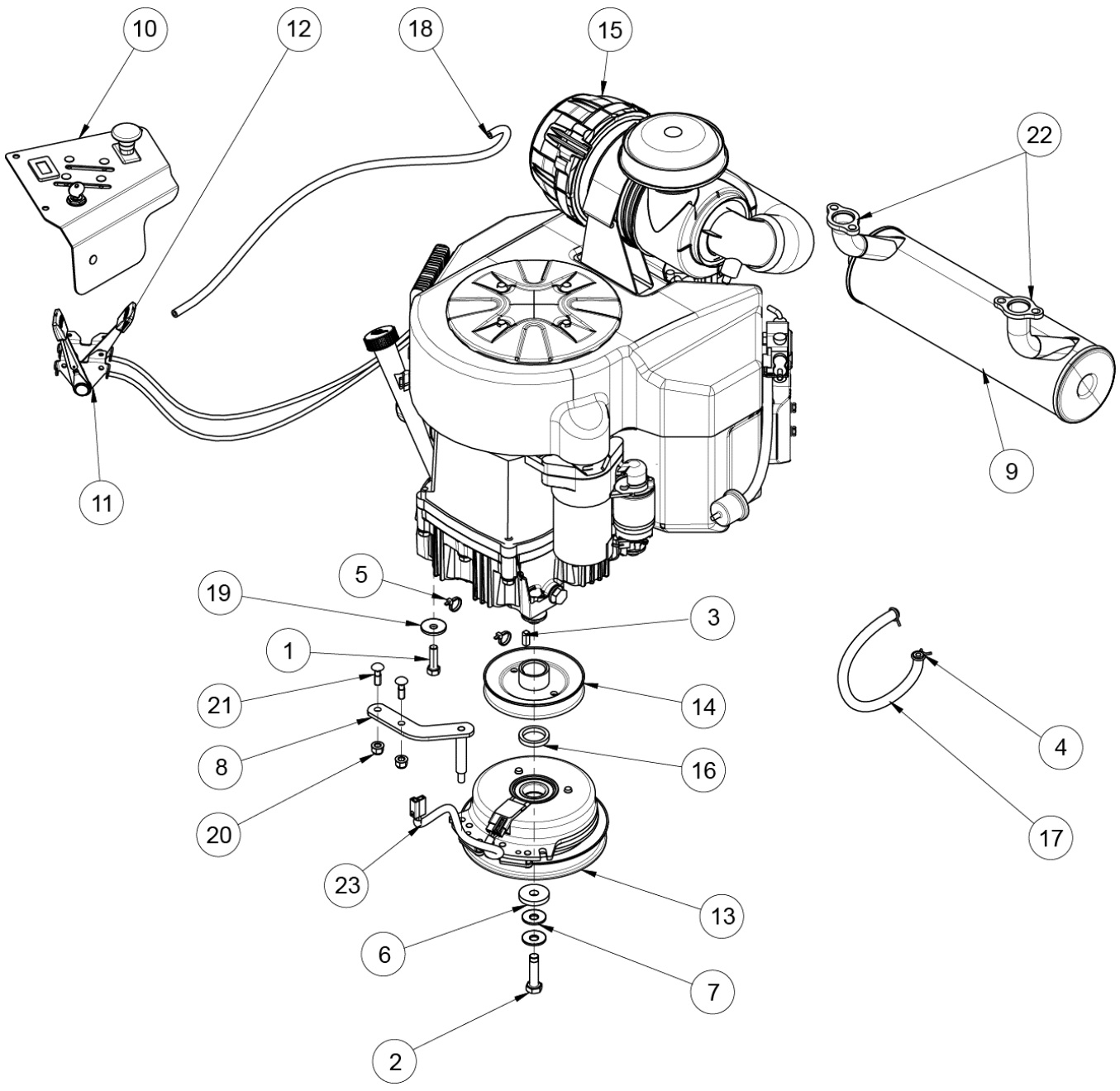
ENGINE ASSEMBLY FX801



ENGINE ASSEMBLY FX801

ITEM	PART NO.	DESCRIPTION
1	100293	3/8-16 X 1-1/4 HHCS
2	100533	7/16-20 X 1-3/4 HHCS
3	107258	1/4 X 1/4 X 3/4 MACH KEY
4	363098	CLAMP, FUEL LINE 1/4 ID
5	363222	PLASTIC TIE
6	423068	CLUTCH WASHER
7	423069	SPRING DISC. WASHER - 7/16
8	542183	WLD, CLUTCH ANCHOR
9	543184	MUFFLER, KAW 852 CC
10	FOR REFERENCE ONLY	ENGINE FX801V
11	542117	CONTROL PANEL W/DECALS
12	543250	CABLE, THROTTLE
13	543251	CABLE, CHOKE
14	543288	CLUTCH, MS200 W/PIGTAIL
15	543411	SHEAVE, HYDRO DRIVE - 5400
16	543588	SPACER BUSHING, CLUTCH
17	583470	HOSE, FUEL 1/4 ID X 13
18	623418	3/16" FUEL LINE DSL - 29"
19	753027	SPRING DISC WASHER
20	B6183-8	NUT, FLANGED NYLOC M8
21	B801-825	BOLT, CARRIAGE SN M8X25
22	483098	MUFFLER GASKET - 19,21,23,25 KAW
23	543364	HARNESS, CLUTCH PIGTAIL

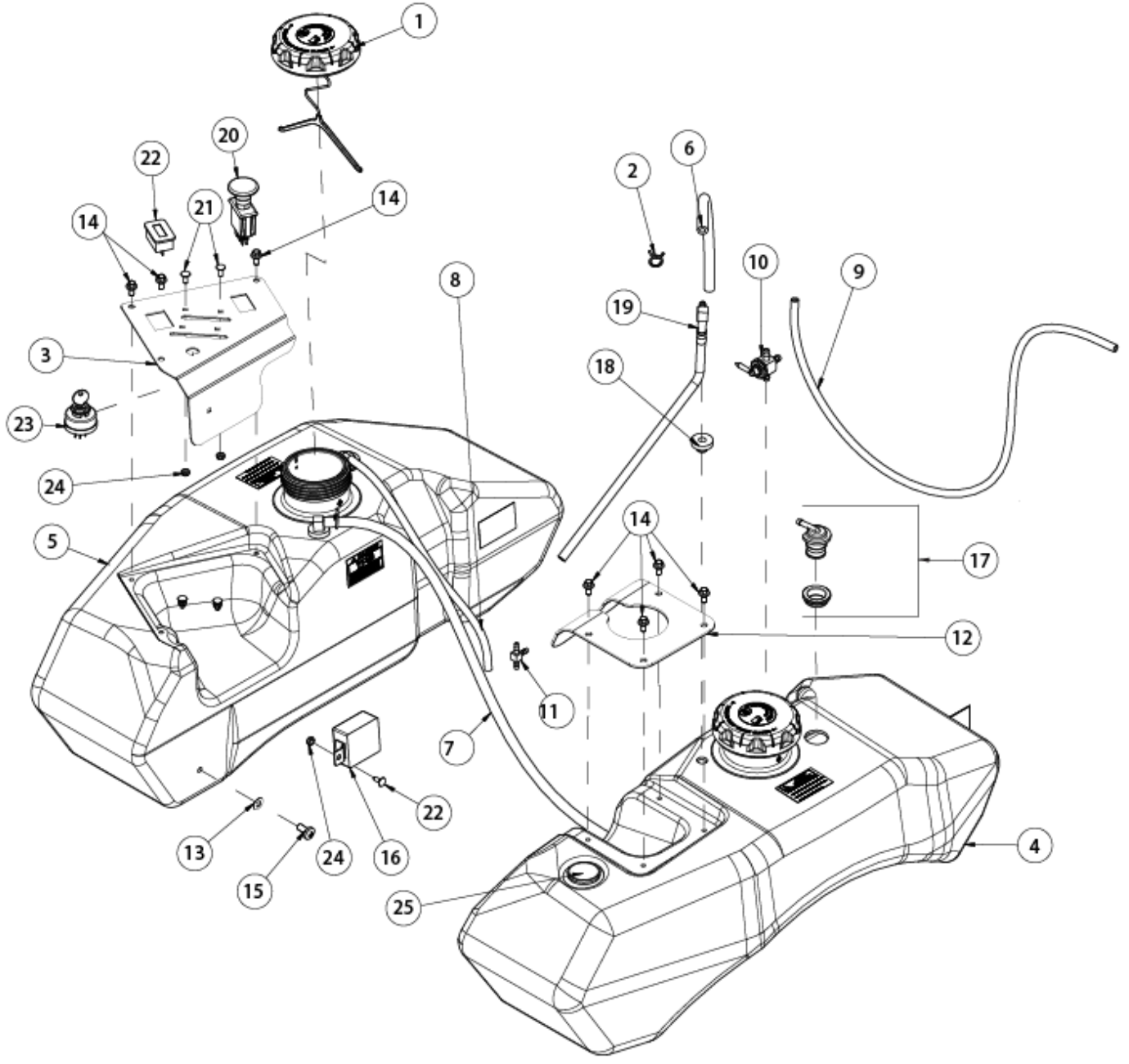
ENGINE ASSEMBLY FX850



ENGINE ASSEMBLY FX850

ITEM	PART NO.	DESCRIPTION
1	100293	3/8-16 X 1-1/4 HHCS
2	100533	7/16-20 X 1-3/4 HHCS
3	107258	1/4 X 1/4 X 3/4 MACH KEY
4	363098	CLAMP, FUEL LINE 1/4 ID
5	363222	PLASTIC TIE
6	423068	CLUTCH WASHER
7	423069	SPRING DISC. WASHER - 7/16
8	542183	WLD, CLUTCH ANCHOR
9	543184	MUFFLER, KAW 852 CC
10	542117	CONTROL PANEL W/DECALS
11	543250	CABLE, THROTTLE
12	543251	CABLE, CHOKE
13	543288	CLUTCH, MS200 W/PIGTAIL
14	543411	SHEAVE, HYDRO DRIVE - 5400
15	FOR REFERENCE ONLY	ENGINE, KAW FX850V
16	543588	SPACER BUSHING, CLUTCH
17	583470	HOSE, FUEL 1/4 ID X 13
18	623418	3/16" FUEL LINE DSL - 29"
19	753027	SPRING DISC WASHER
20	B6183-8	NUT, FLANGED NYLOC M8
21	B801-825	BOLT, CARRIAGE SN M8X25
22	483098	MUFFLER GASKET - 19,21,23,25 KAW
23	543364	HARNESS, CLUTCH PIGTAIL

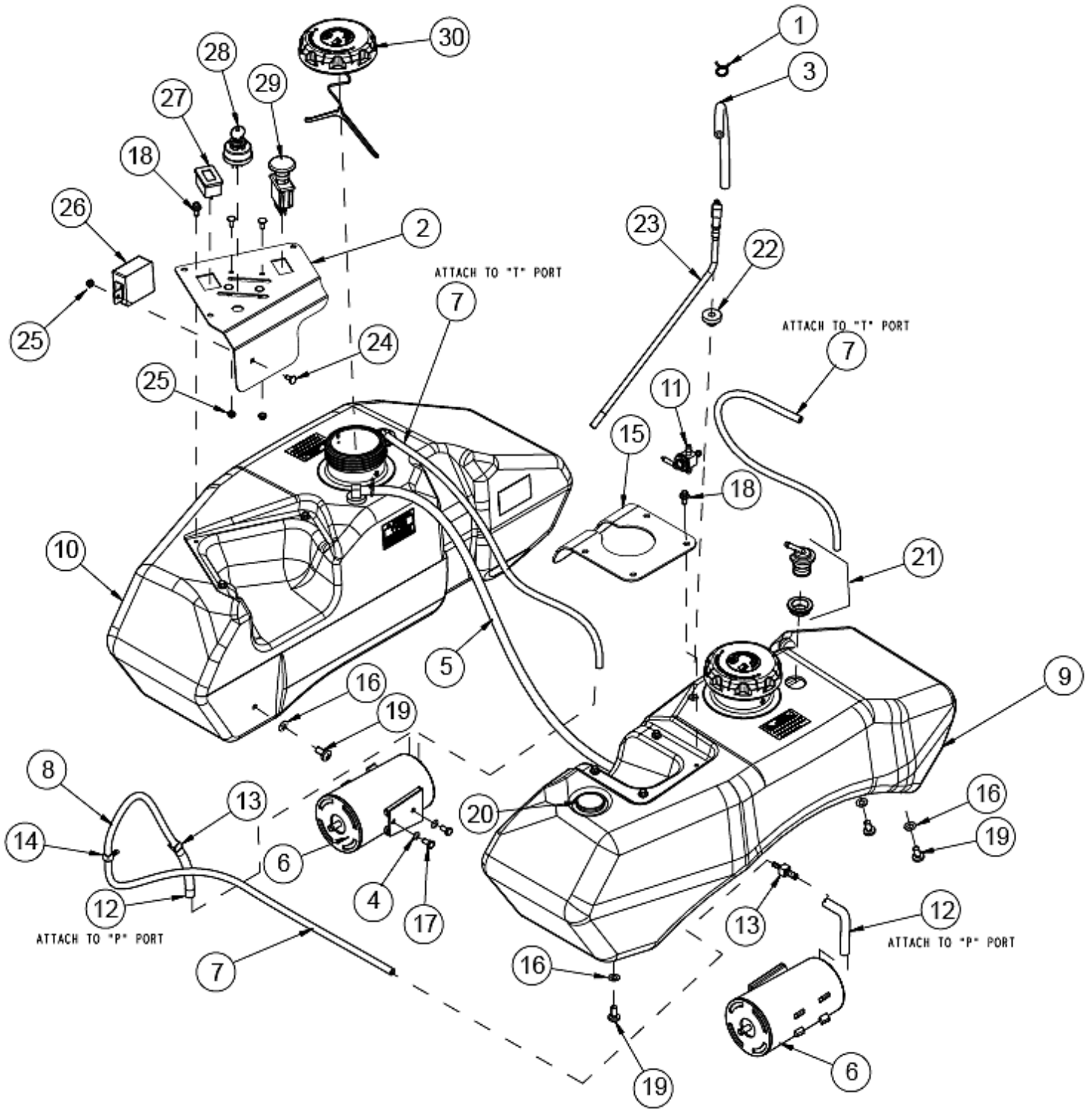
FUEL ASSEMBLY – FX801 - FX850



FUEL ASSEMBLY – FX801 – FX850

ITEM	PART NO.	DESCRIPTION
1	5204019	GAS CAP-EPA
2	363098	CLAMP, FUEL LINE 1/4 ID
3	542117	CONTROL PANEL W/DECALS
4	543375	ASM, FUEL TANK LH ENCORE
5	543376	ASM, FUEL TANK RH ENCORE
6	543323	HOSE, FUEL 1/4 ID X 14.5
7	543328	HOSE, FUEL 1/4 ID X 32.5
8	543361	HOSE, VENT 3/16 ID X 15
9	543362	HOSE, VENT 3/16 ID X 36
10	583050	FUEL VALVE
11	5204010	TEE, HOSE 3/16 ID
12	543277-1	CUP HOLDER, BLACK
13	B1972-A16	WASHER, SPRING DISC A16-1
14	B5787-612	SCREW, FLANGED HH M6 X 12
15	B818-816	SCREW, PAN HEAD PHILLIPS M8 X 16
16	543308	MODULE, SEAT DELAY
17	543283	ASM, FUEL VENT W/GROMMET
18	533125	VALVE GROMMET - VITON
19	543306	FITTING, 90° FUEL W/TUBE 10"
20	523031	PTO SWITCH
21	107527	BOLT, CARRIAGE #10-24 X 1/2
22	453417	METER, MS HOUR
23	5208070	ASM, IGNITION SWITCH
24	104252	#10-24 HEX NYLOC NUT
25	543278	GAUGE, FUEL 8.5"
NOT SHOWN	5204047	GROMMET, FUEL GAUGE

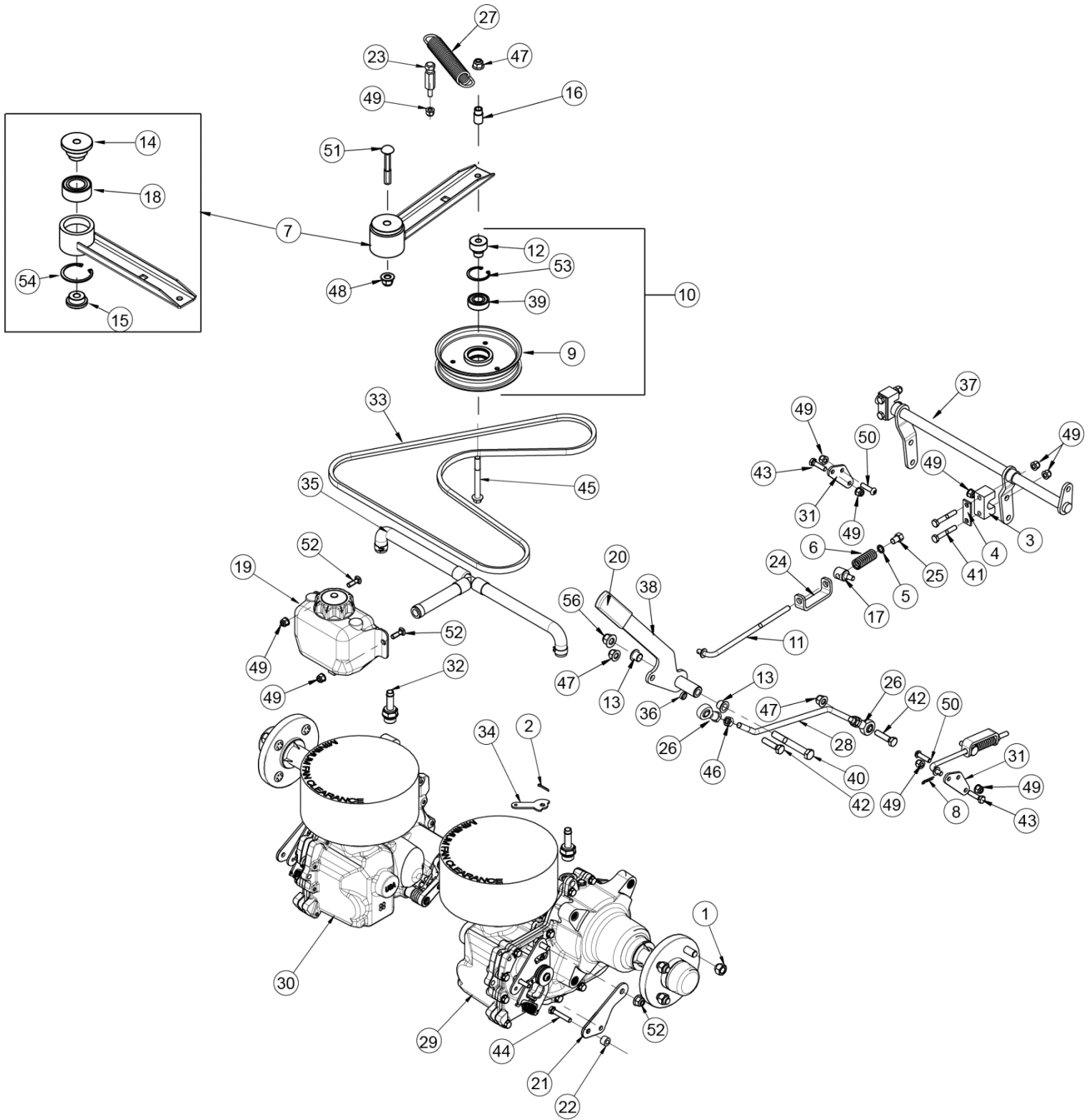
FUEL ASSEMBLY CARB FX801



FUEL ASSEMBLY CARB FX801

ITEM	PART NO.	DESCRIPTION
1	363098	CLAMP, FUEL LINE 1/4 I.D.
2	542117	CONTROL PANEL W/DECALS
3	543323	HOSE, FUEL 1/4 ID X 14.5
4	543326	WASHER, SPRING DISC 1/4
5	543328	HOSE, FUEL 18/4 ID X 32.5
6	543363	CANISTER, CARBON 680cc
7	543371	HOSE, VENT 3/16 ID X 26
8	543372	HOSE, VENT 3/16 ID X 12
9	543375	ASM, FUEL TANK LH
10	543376	ASM, FUEL TANK RH
11	583050	FUEL VALVE
12	623414	HOSE, FUEL 1/4 ID X 4"
13	5000130	REDUCER, HOSE 3/16-1/4
14	5204010	TEE, HOSE 3/16 ID
15	543277-1	CUP HOLDER, BLACK
16	B1972-A16	WASHER, SPRING DISC A16-1
17	B5783-612	SCREW, HH TAP M6 X 12
18	B5787-612	SCREW, FLANGED HH M6 X 12
19	B818-816	SCREW, PAN HEAD PHILLIPS M8 X 16
20	543278	GAUGE, FUEL 8.5"
21	543283	ASM, FUEL VENT W/GROMMET
22	533125	VALVE GROMMET - VITON
23	543306	FITTING, 90° FUEL W/TUBE 10"
24	107527	BOLT, CARRIAGE #10-24 X 1/2
25	104252	#10-24 HEX NYLOC NUT
26	543308	MODULE, SEAT DELAY
27	453417	METER, MS HOUR
28	5208070	ASM, IGNITION SWITCH
29	523031	PTO SWITCH
30	5204019	GAS CAP - EPA

4400 HYDRO ASSEMBLY



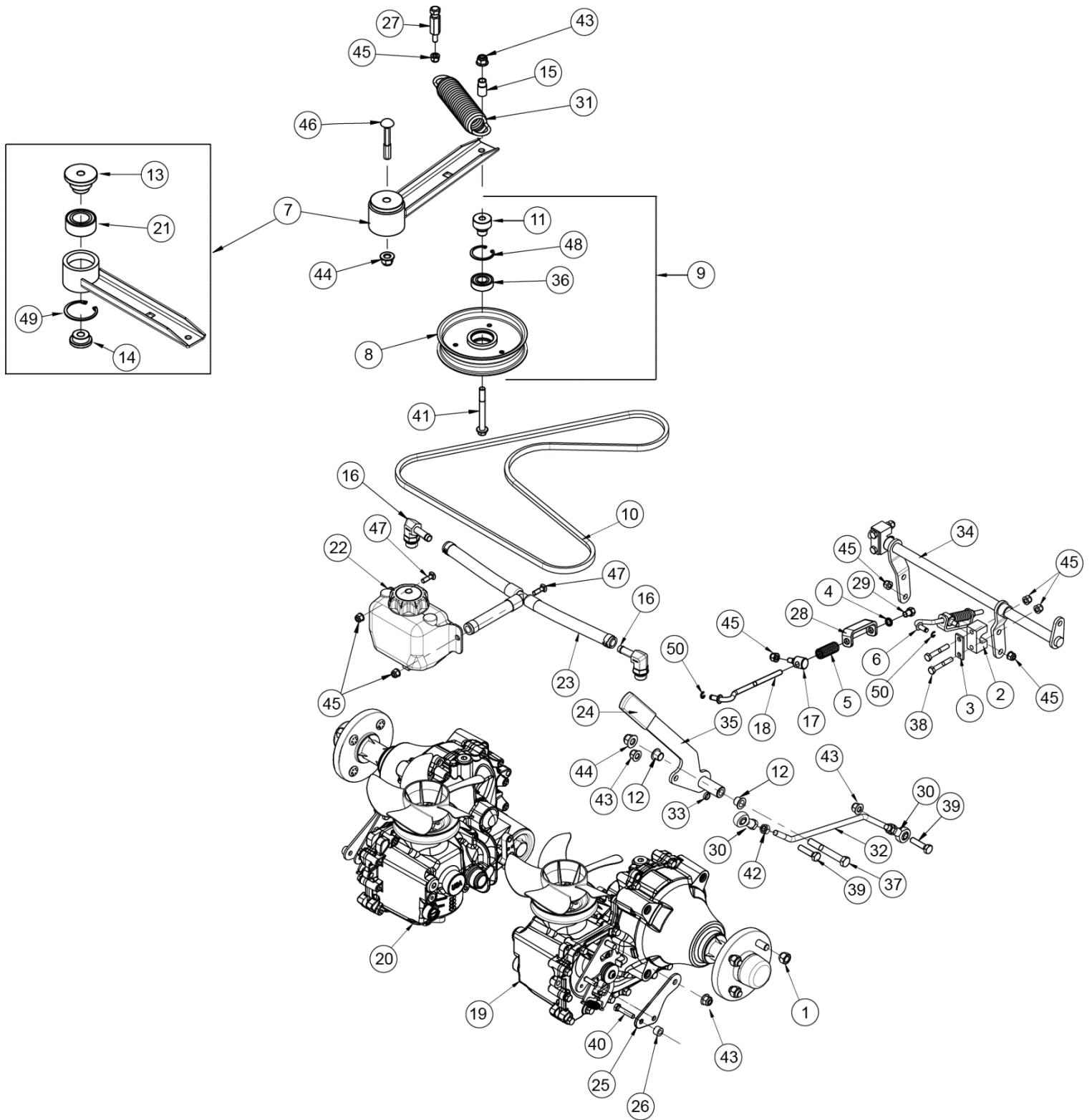
4400 HYDRO ASSEMBLY

ITEM	PAR NO.	DESCRIPTION
1	103023	1/2-20 X 60 T LUG NUT
2	106753	3/32 X 3/4 COTTER PIN
3	353028	PIVOT BLOCK
4	353047	PIVOT BLOCK PLATE
5	363177	3/8 PUSH NUT
6	523024	SPRING, COMPRESSION
7	542126	ASM, HYDRO IDLER 5400
8	XSZ56-1-17	HAIR PIN
9	542137	WLD, FLAT IDLER 150MM
10	542148	ASM, 150MM FLAT IDLER W/STEP SPACER
11	542180	WLD, LINK, BRAKE 4400
12	543098	SPACER, IDLER
13	543154	BUSHING, MOTION CONTROL
14	543162	SPACER, STEPPED
15	543164	SPACER, STEPPED
16	543169	SPACER
17	543201	SWIVEL, BRAKE
18	543236	BEARING, 30BD40DF2
19	543285	TANK, HYDRO OVERFLOW 1 QT
20	543300	GRIP, PARK BRAKE
21	543315	EXTENSION, CONTROL ARM
22	543316	SPACER
23	543374	ANCHOR, SPRING 1.46
24	543386	RETAINER, BRAKE SPRING
25	543387	NUT, BRAKE SPRING
26	543430	END, SPHERICAL ROD M10
27	543520	EXTENSION SPRING
28	543576	ROD, LINKAGE BRAKE
29	543577	HYDRO, ZT 4400 LH
30	543578	HYDRO, ZT 4400 RH
31	543580	TAB, HYDRO 4400
32	543587	ADAPTOR, HYDRO 4400
33	543607	BELT, HYDRO 4400
34	543626	ARM, HYDRO RELEASE 4400
35	683113	ASM, HYDRO VENT
36	4801302	SPACER
37	542099-1	WLD, CROSS SHAFT BRAKE, BLACK
38	542179-1	WLD, BRAKE LEVER, BLK
39	B276-6303RS	BEARING 6303-2RS
40	B5782-1290	HHCS, M12 X 90MM
41	B5782-850	SCREW, HH M8X50
42	B5783-1040	BOLT M10X40
43	B5783-830	SCREW, HH TAP M8X30

4400 HYDRO ASSEMBLY

ITEM	PART NO.	DESCRIPTION
44	B5783-845	BOLT M8X45
45	B5787-1090	SCREW, HH FLANGE M10 X 90
46	B6170-10	NUT M10X1
47	B6183-10	NUT, NYLOC FLANGE M10
48	B6183-12	NUT, NYLOC FLANGE M12
49	B6183-8	NUT, FLANGED NYLOC M8
50	B70.2-830	SCREW, BUTTON SOCKET HEAD M8 X 30
51	B801-1275	BOLT, CARRIAGE SN M12 X 75
52	B801-825	BOLT, CARRIAGE SN M8X25
53	B893.2-47	SNAP RING 47
54	B893.2-56	RING, SNAP 56MM

5400 HYDRO ASSEMBLY



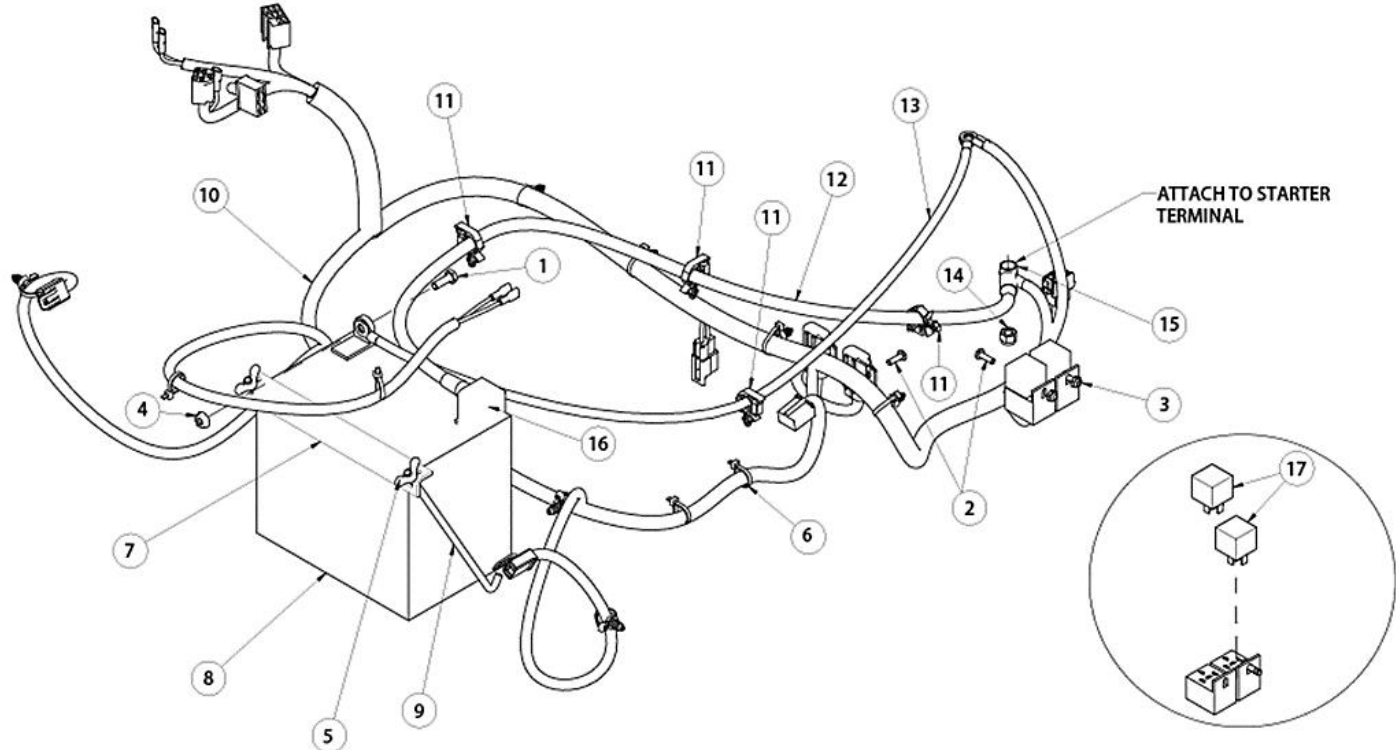
5400 HYDRO ASSEMBLY

ITEM	PART NO.	DESCRIPTION
1	103023	1/2-20 X 60 T LUG NUT
2	353028	PIVOT BLOCK
3	353047	PIVOT BLOCK PLATE
4	363177	3/8 PUSH NUT
5	523024	SPRING, COMPRESSION
6	542094	ASM, BRAKE LINK 5400
7	542126	ASM, HYDRO IDLER 5400
8	542137	WLD, FLAT IDLER 150MM
9	542148	ASM, 150MM FLAT IDLER W/STEP SPACER
10	543005	BELT, HYDRO
11	543098	SPACER, IDLER
12	543154	BUSHING, MOTION CONTROL
13	543162	SPACER, STEPPED
14	543164	SPACER, STEPPED
15	543169	SPACER
16	543199	ADAPTER, HYDRAULIC 4601-08-10
17	543201	SWIVEL, BRAKE
18	543205	LINK, BRAKE 5400
19	543208	HYDRO, ZT 5400 LH
20	543209	HYDRO, ZT 5400 RH
21	543236	BEARING, 30BD40DF2
22	543285	TANK, HYDRO OVERFLOW 1 QT
23	543287	ASM, HYDRO VENT 5400
24	543300	GRIP, PARK BRAKE
25	543315	EXTENSION, CONTROL ARM
26	543316	SPACER
27	543374	ANCHOR, SPRING 1.46
28	543386	RETAINER, BRAKE SPRING
29	543387	NUT, BRAKE SPRING
30	543430	END, SPHERICAL ROD M10
31	543520	EXTENSION SPRING
32	543576	ROD, LINKAGE BRAKE
33	4801302	SPACER
34	542099-1	WLD, CROSS SHAFT BRAKE, BLACK
35	542179-1	WLD, BRAKE LEVER, BLK
36	B276-6303RS	BEARING 6303-2RS
37	B5782-1290	HHCS, M12 X 90MM
38	B5782-850	SCREW, HH M8X50
39	B5783-1040	BOLT M10X40
40	B5783-840	SCREW, HH TAP M8 X 40
41	B5787-1090	SCREW, HH FLANGE M10 X 90
42	B6170-10	NUT M10X1

5400 HYDRO ASSEMBLY

ITEM	PART NO.	DESCRIPTION
43	B6183-10	NUT, NYLOC FLANGE M10
44	B6183-12	NUT, NYLOC FLANGE M12
45	B6183-8	NUT, FLANGED NYLOC M8
46	B801-1275	BOLT, CARRIAGE SN M12 X 75
47	B801-825	BOLT, CARRIAGE SN M8X25
48	B893.2-47	SNAP RING 47
49	B893.2-56	RING, SNAP 56mm
50	B896-6	E-CLIP 6

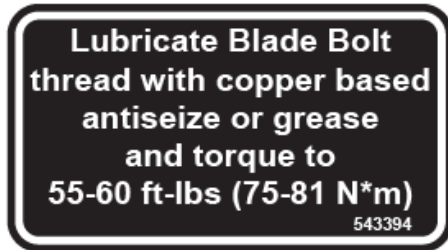
ELECTRICAL ASSEMBLY



ELECTRICAL ASSEMBLY

ITEM	PART NO.	DESCRIPTION
1	100252	1/4-20 X 3/4 HHCS
2	101039	#10-24 X 5/8 MACH SCREW
3	104252	#10-24 HEX NYLOC NUT
4	109000	1/4-20 WHIZLOCK NUT
5	109012	1/4 WING NUT
6	363222	PLASTIC TIE
7	453419-1	BATTERY HOLD DOWN - BLACK
8	FOR REFERENCE ONLY	BATTERY 12V
9	423172	BATTERY HOLD DOWN ROD - PLATED
10	543267	HARNESS, WIRING
11	543309	CLIP, ROSEBUD LOOM 13MM
12	543329	ASM, BATTERY CABLE POSITIVE
13	543330	CABLE, BATTERY NEGATIVE
14	B6182-8	NUT, NYLOC M8
15	423158	TERMINAL INSULATOR CAP
16	343134	BATTERY BOOT
17	5208042	12V RELAY (USA)

DECAL ASSEMBLY



543394



8307



543433



8324



543391



523493



8303



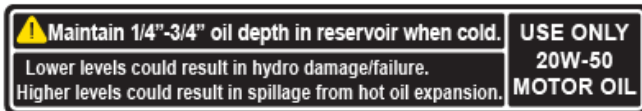
363023



543402



543392



543396



8008

ENCORE

543504



543403



543401

DECAL ASSEMBLY



8304



8318



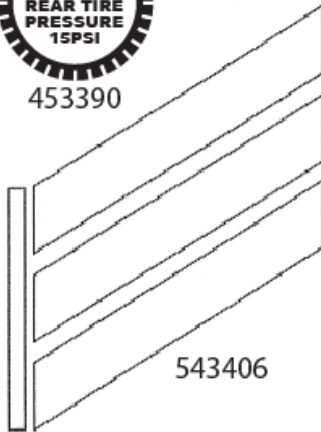
543380



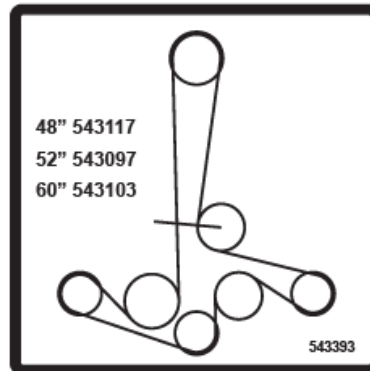
453389



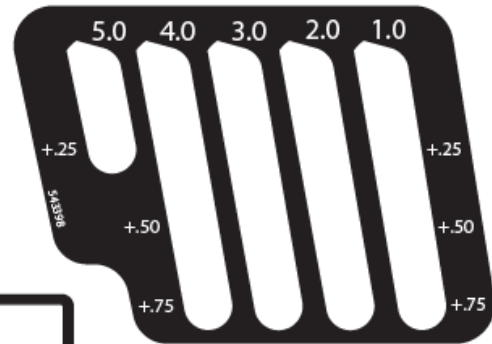
453390



543406



543393



543398



BATTERY CONTAINS SULFURIC ACID. AVOID CONTACT AND ALWAYS SHIELD EYES, FACE AND SKIN FROM BATTERY. CIGARETTES, FLAMES OR SPARKS COULD CAUSE BATTERY TO EXPLODE. DO NOT CHARGE OR USE BOOSTER CABLES WITHOUT PROPER TRAINING. IN EVENT OF AN ACCIDENT FLUSH WITH WATER AND CALL A PHYSICIAN IMMEDIATELY.

543397

543397

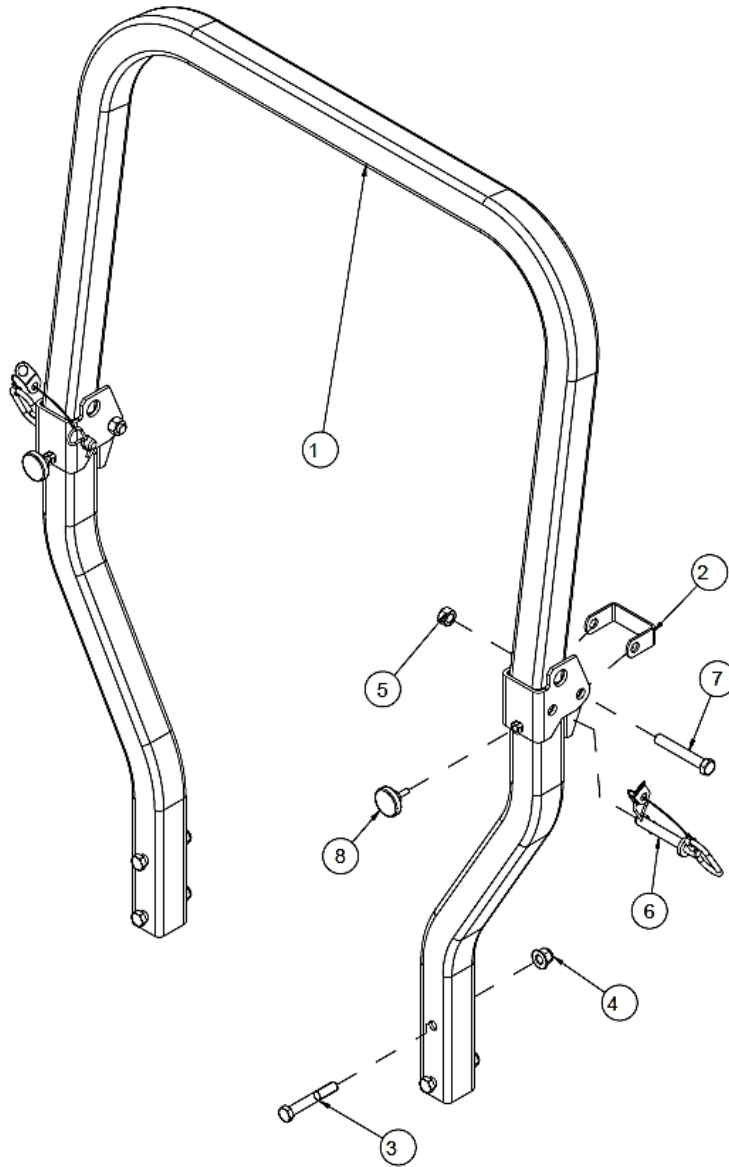


363243



543471

ROPS ASSEMBLY



ITEM	PART NO.	DESCRIPTION
1	541002	ROPS ASSEMBLY, COMPLETE
2	543443	ROPS STOP
3	B5782-1280	SCREW, HH M12 X 80
4	B6183-12	NUT, NYLOC FLANGE M12
5	104259	1/2-13 HEX NYLOC NUT
6	543262	PIN, ROPS W/LANYARD
7	100332	SCREW, HH 1/2-13 X 3-1/4
8	543261	KNOB, ROPS



ENCORE