



PARTS MANUAL

EC52FX730V3CE



**2415 ASHLAND AVE
BEATRICE, NE 68310
800-267-4255
FAX – 402-223-4103**

Contents

CASTER ASSEMBLY..... 7

FRAME ASSEMBLY 3400 HYDRO MODELS 9

MOTION CONTROL ASSEMBLY..... 11

SEAT ASSEMBLY..... 13

REAR TIRE ASSEMBLY – 52” DECK 3400 HYDRO MODELS..... 15

DECK LIFT ASSEMBLY..... 16

52” DECK ASSEMBLY..... 18

SPINDLE HOUSING ASSEMBLY 20

DECK IDLER ASSEMBLY..... 22

FLAT IDLER ASSEMBLY 150MM..... 24

FLAT IDLER ASSEMBLY 175MM..... 25

ENGINE ASSEMBLY FX730V..... 26

FUEL ASSEMBLY – FX730..... 28

3400 HYDRO ASSEMBLY..... 30

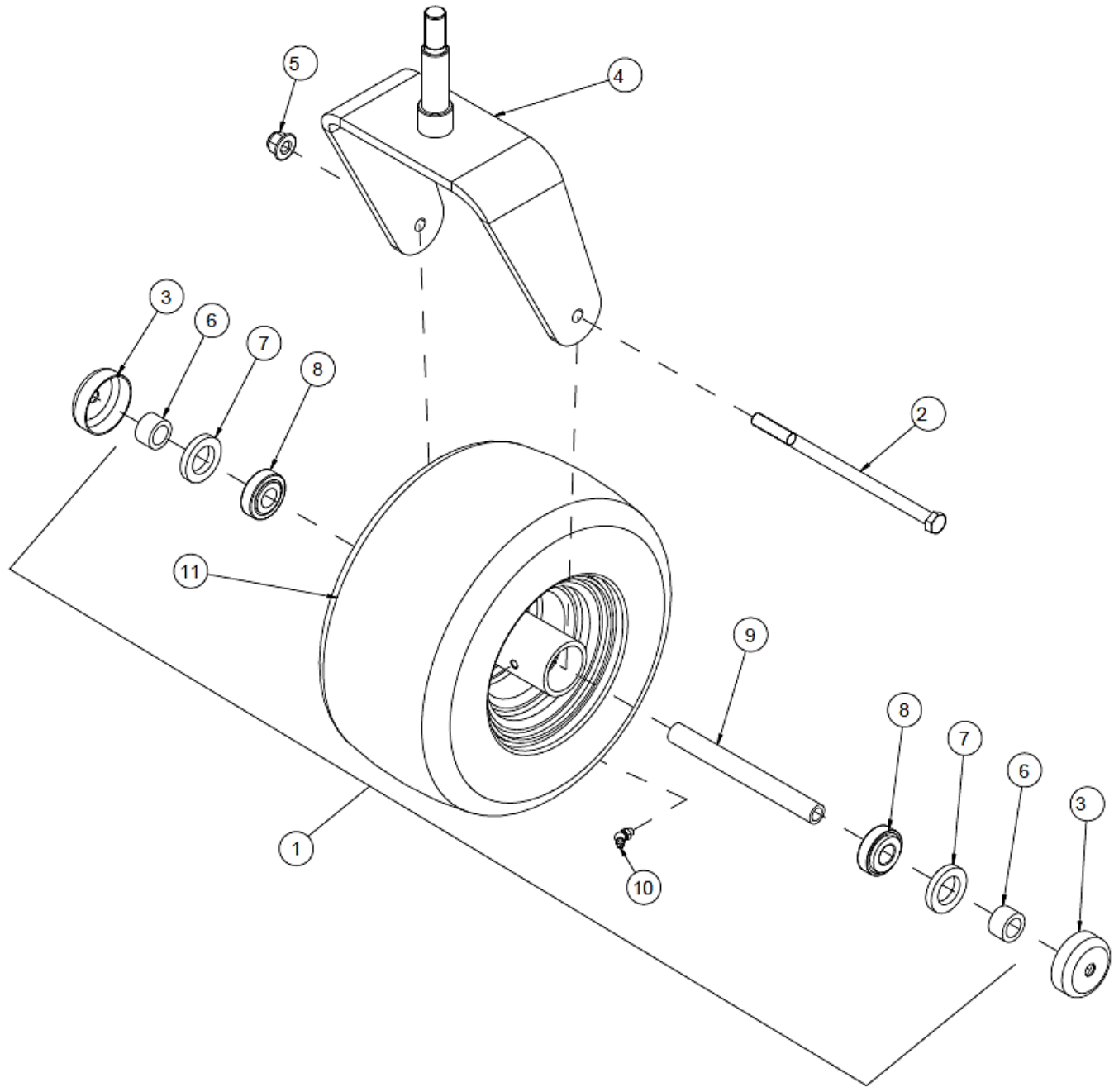
RTN GROUP, CE..... 33

ELECTRICAL ASSEMBLY..... 34

DECAL ASSEMBLY 35

ROPS ASSEMBLY 38

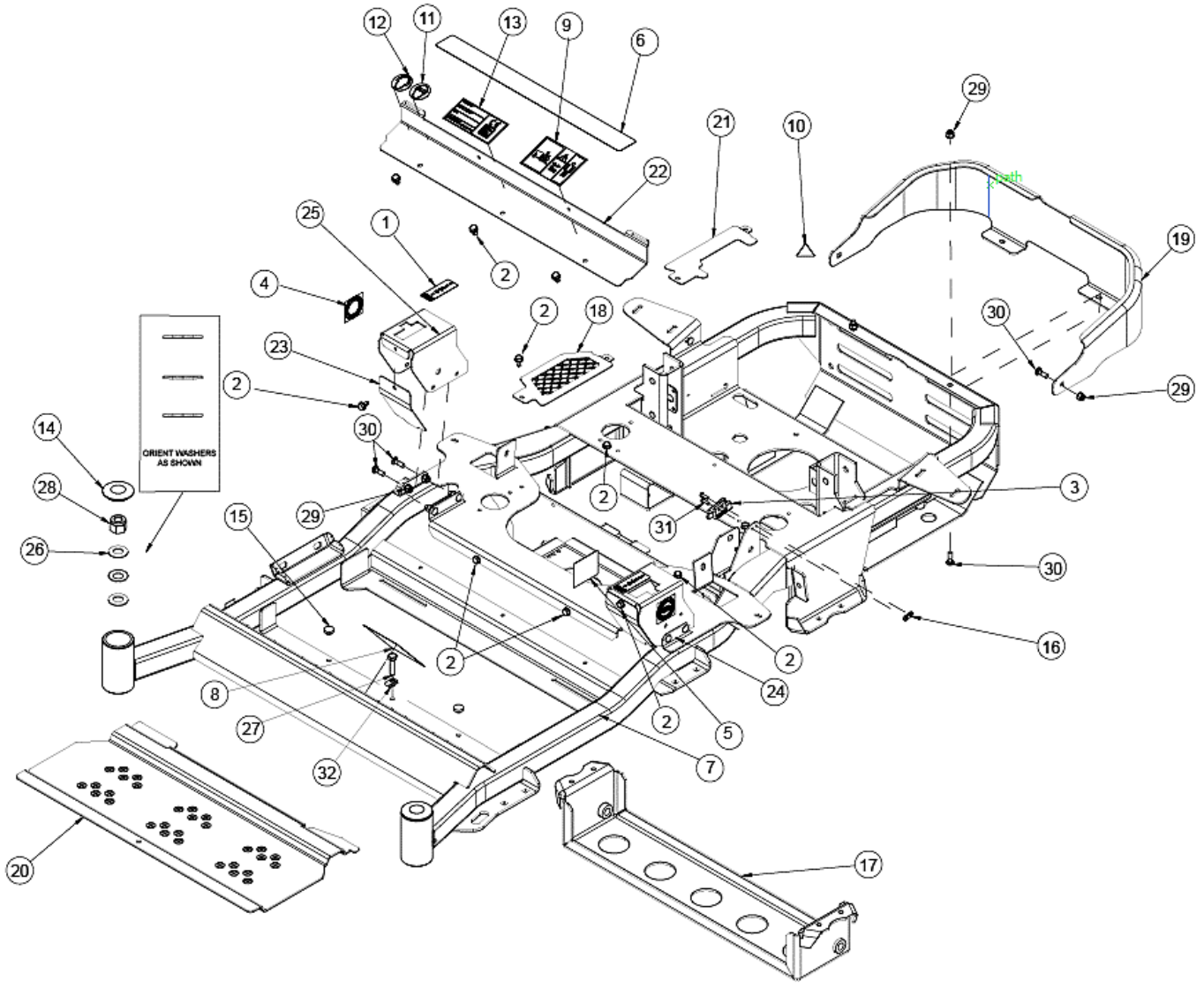
CASTER ASSEMBLY



CASTER ASSEMBLY

ITEM	PART NO.	DESCRIPTION
1	542070	ASM, WHEEL COMPLETE 13 X 6.5-6 PNEUM
2	543189	BOLT, M12 X 225 MM
3	5202026	CAP, DUST
4	542011-2	WLD, CASTER FORK 6.5, RED
5	B6183-12	NUT, NYLOC FLANGE M12
6	5202035	SPACER
7	5202036	SEAL, LIP
8	5202037	BEARING, TAPERED ROLLER
9	543230	TUBE, AXLE
10	111009	ZERK, 45° 1/4-28
11	542007	TIRE, 13 X 6.5-6 PNEUMATIC

FRAME ASSEMBLY 3400 HYDRO MODELS



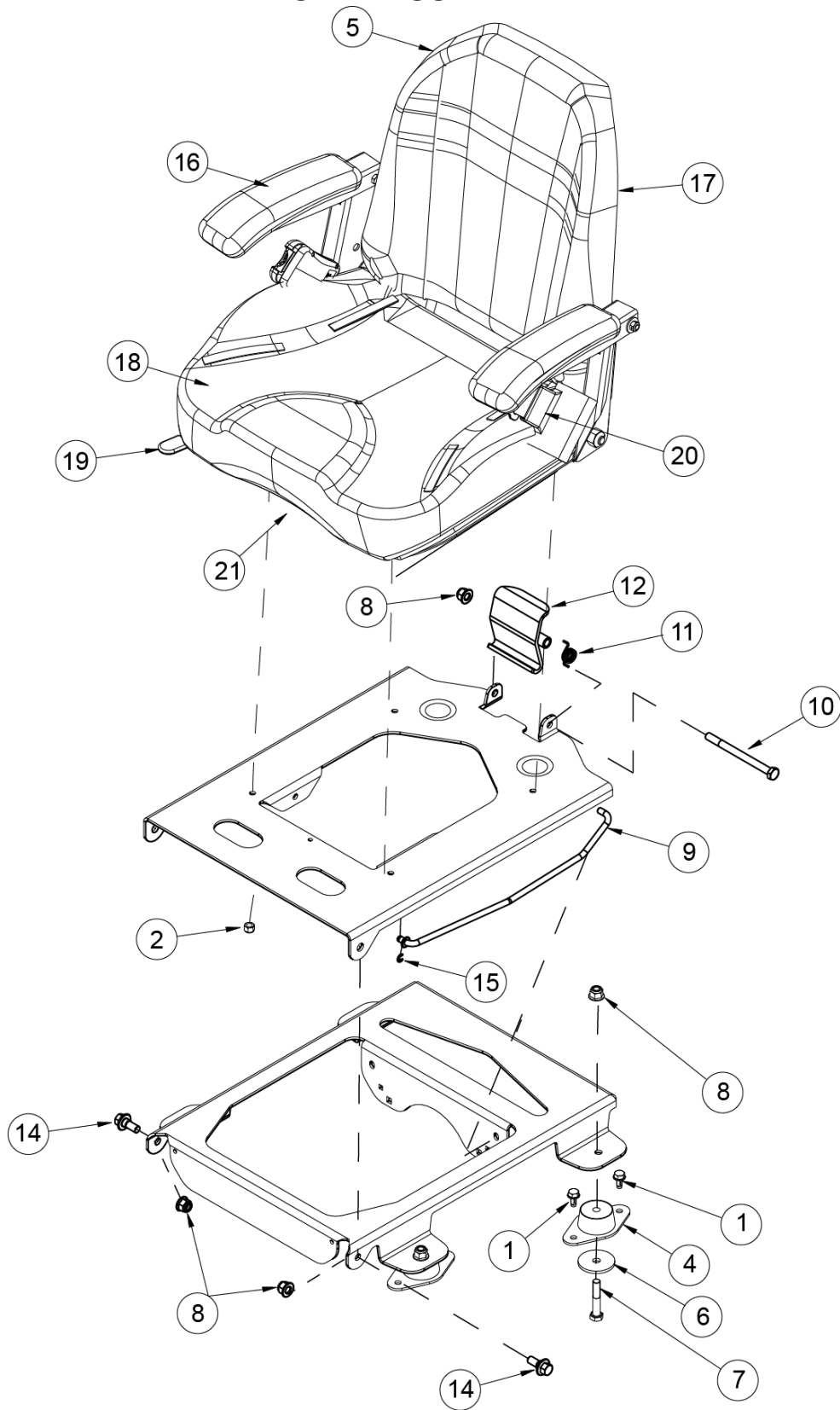
FRAME ASSEMBLY 3400 HYDRO MODELS

ITEM	PART NO.	DESCRIPTION
1	8324	DECAL, MOTION CONTROL
2	102500	SCREW, FLANGE TF M8X16 CA-PT
3	523034	PARK SWITCH
4	543380	DECAL, BEATRICE
5	543391	DECAL, PARK BRAKE
6	543401	DECAL, OPERATOR SAFETY
7	542161	CE FRAME 48/52 - 3400 W/DECALS
8	633342	DECAL, CE, SAFETY WARNING 2
9	633345	DECAL, CE, SAFETY WARNING 5
10	633346	DECAL, CE, SAFETY WARNING 6
11	633347	DECAL, CE, EYE PPE
12	633348	DECAL, CE, SOUND PPE
13	633349	DECAL, CE, CE MARK & SOUND LEVEL
14	5202009	DUST CAP
15	5203907	BUMPER, RUBBER
16	5208103	
17	542020-2	
18	542081-1	
19	543224-*1	
20	543226-1	
21	543319-1	
22	543418-1	
23	543419-1	
24	543420-1	
25	543421-1	
26	B1972-A40	
27	B5783-1040	
28	B6182-20	
29	B6183-8	
30	B801-825	
31	B826-516	
32	109015	

MOTION CONTROL ASSEMBLY

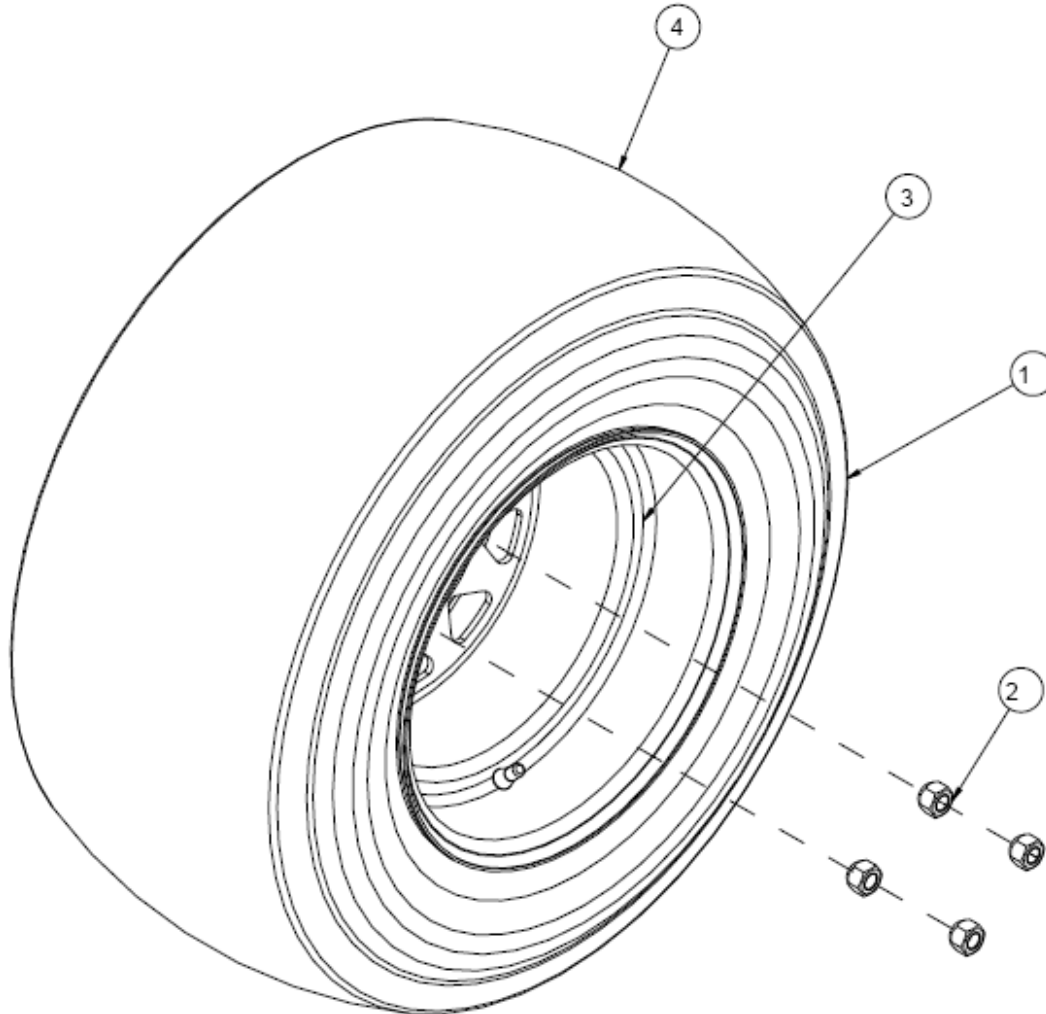
ITEM	PART NO.	DESCRIPTION
1	542044	WLD, MOTION CONTROL LH
2	542079	WLD, MOTION CONTROL RH
3	542048	MOTION CONTROL LEVER W/GRIP
4	542065	5400 LINKAGE COMPLETE
	542049	3400 LINKAGE COMPLETE
5	543229	DAMPER
6	5002111	ROD, MOTION CONTROL
7	B1972-A22.5-2	WASHER, SPRING DISC A22.5 OD
8	B5783-830	SCREW, HH TAP M8x30
9	B5783-840	SCREW, HH TAP M8 X 40
10	B5783-1025	SCREW, HH TAP M10x25
11	B6183-8	NUT, FLANGED NYLOC M8
12	543154	BUSHING, MOTION CONTROL
13	543152	WASHER, PLASTIC
14	B6183-10	NUT, NYLOC FLANGE M10
15	543153	ARM, MOTION CONTROL
16	543156	GRIP, MOTION CONTROL LEVER
17	B5782-1050	BOLT 10X50
18	5205016	ROD END, SPHERICAL M8 RH SIBJK8S
19	5205003	SPRING, COMPRESSION
20	B6171-8	NUT M8
21	543193	ROD, LINKAGE HYDRO LONG
22	B6171-8L	NUT M8X1 (LH)
23	5205017	ROD END, SPHERICAL M8 LH SILBJK8S
24	353048	SWITCH

SEAT ASSEMBLY



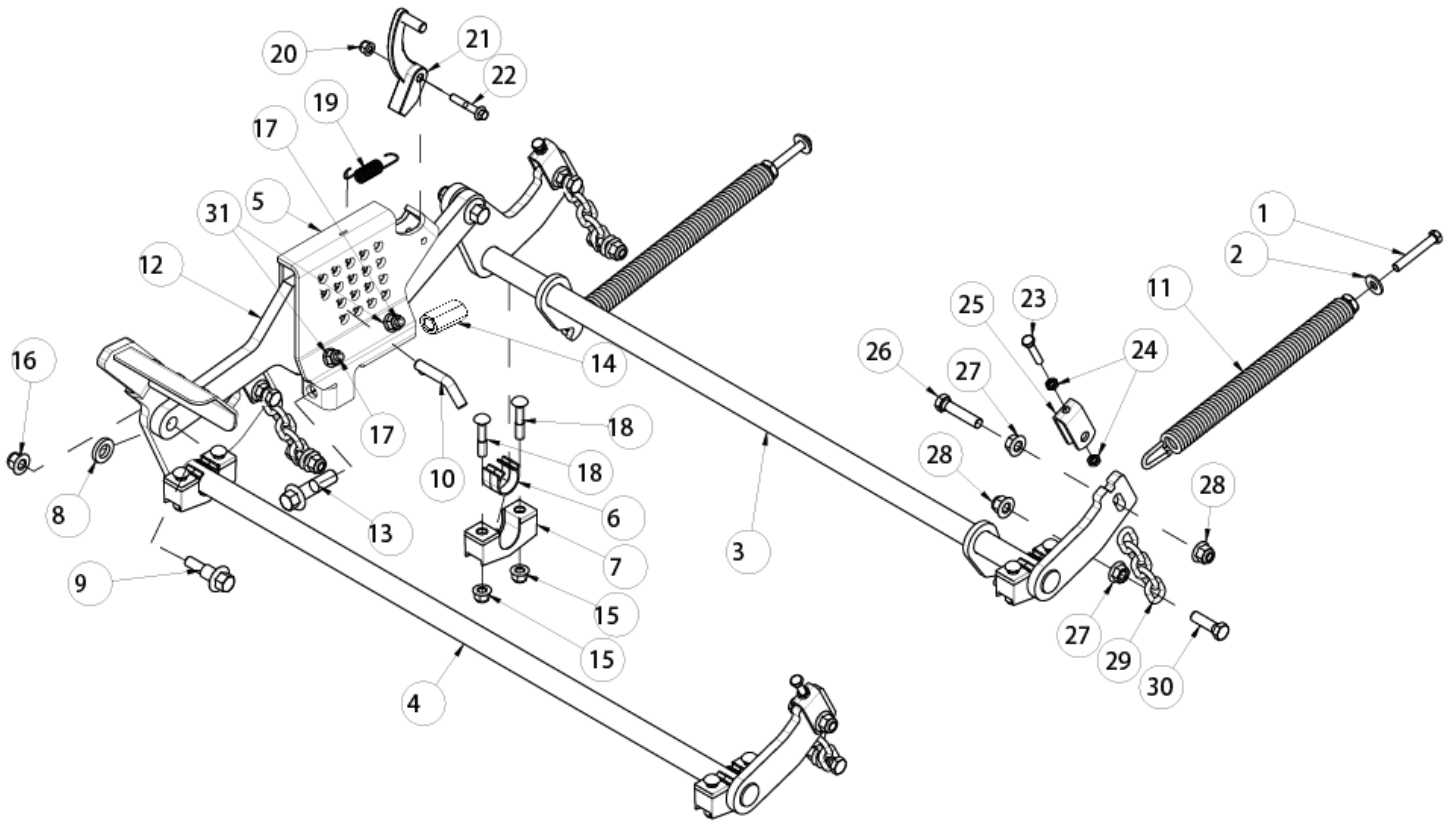
SEAT ASSEMBLY

ITEM	PART NO	DESCRIPTION
1	102500	SCREW, FLANGE TF M8X16 CA-PT
2	104256	5/16-18 HEX NYLOC NUT
3	542110	PAN, SEAT, BLACK
4	543181	ISO- MOUNT, SEAT
5	543373	SEAT, ENCORE
6	543296	WASHER, SNUBBER
7	B5782-1055	SCREW, HH M10x55
8	B6183-10	NUT, NYLOC FLANGE M10
9	543252	SEAT ROD
10	B5782-10125	SCREW, HH M10x125
11	543180	SPRING, TORSION
12	542060	WLD, SEAT LATCH
13	542111	FRAME, SEAT, BLACK
14	543177	SHOULDER BOLT 10MM
15	B896-6	E-CLIP 6
16	593097	ARM REST PAD-GREY/MOLDED
17	543440	BACK, SEAT ENCORE
18	543439	CUSHION, SEAT ENCORE
19	543438	KIT, SEAT TRACK 4"
20	543004	SEAT BELT KIT - RETRACTABLE
21	353048	SEAT SWITCH

REAR TIRE ASSEMBLY – 52” DECK 3400 HYDRO MODELS


ITEM	PART NO.	DESCRIPTION
1	543289	ASM, WHEEL 23 X 9.5-12
2	103023	1/2-20 X 60 T LUG NUT
3	542078	WHEEL, 12 X 7 WITH VALVE
4	542073	TIRE, 23 X 9.5-12

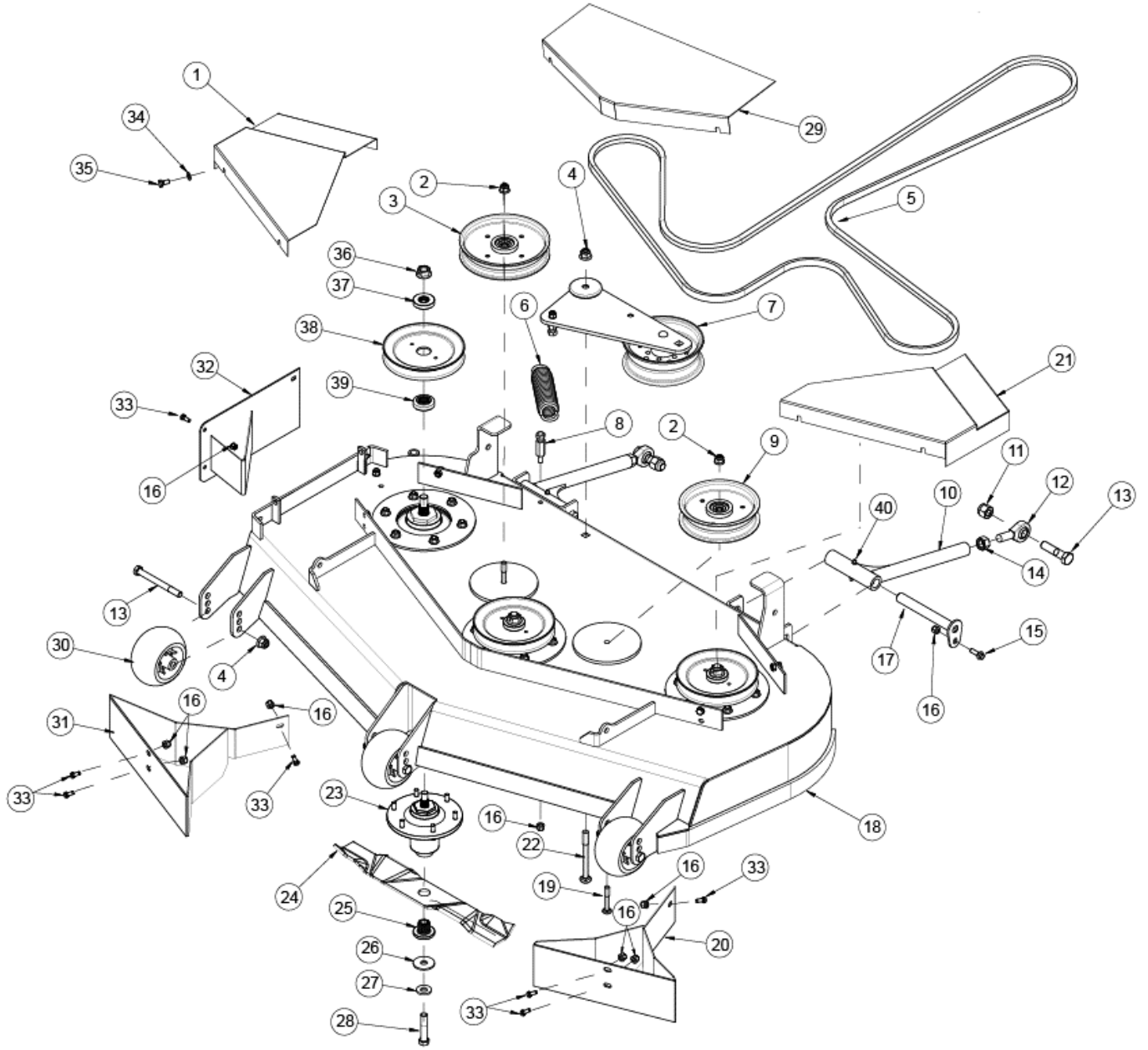
DECK LIFT ASSEMBLY



DECK LIFT ASSEMBLY

ITEM	PART NO.	DESCRIPTION
1	100028	SCREW, HH TAP 3/8-16 X 2-1/2
2	105260	3/8 STD FLAT WASHER
3	542038	ASM, CROSS SHAFT, REAR
4	542039	ASM, CROSS SHAFT, FRONT
5	542112	HOC PLATE W/DECAL
6	543123	BUSHING, CROSS SHAFT
7	543124	MOUNT, CROSS SHAFT
8	543126	SPACER, 16MM X 5M
9	543127	BOLT, SHOULDER 12MM
10	543207	PIN, HOC
11	622135	SPRING TENSION ASSY.755x1.147x14.71
12	543122-1	LINK, SIDE, BLACK
13	B5787-1660	SCREW, HH FLANGE M16 X 60
14	543445	NUT, LONG 16MM
15	B6183-10	NUT, NYLOC FLANGE M10
16	B6183-12	NUT, NYLOC FLANGE M12
17	B801-1030	BOLT, CARRIAGE SN M10X30
18	B801-1050	BOLT, CARRIAGE SN M10x50
19	543302	SPRING, EXTENSION
20	B6183-8	NUT, FLANGED NYLOC M8
21	543138	PAWL, TRANSPORT
22	B5787-845	SCREW, HH FLANGE M8X45
23	B5783-840	SCREW, HH TAP M8 X 40
24	B6172-8	NUT, THIN HEX M8
25	543125	YOKE, DECK ADJUST
26	B5783-1255	SCREW,HH TAP M12 x 55
27	B6177-12	NUT M12
28	B6183-12	NUT, NYLOC FLANGE M12
29	423359	CHAIN (5 LINKS)
30	B5783-1240	SCREW, HH TAP M12 x 40

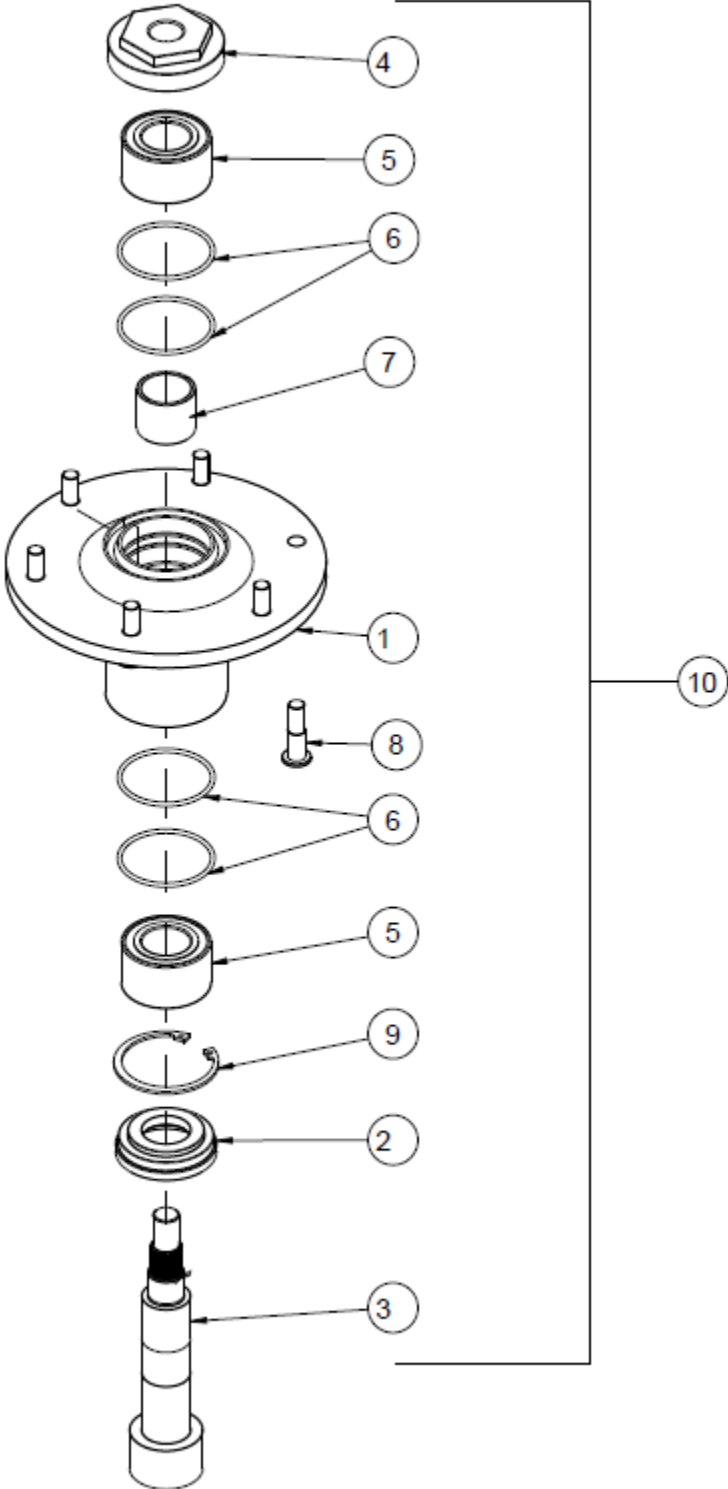
52" DECK ASSEMBLY



52" DECK ASSEMBLY

ITEM	PART NO.	DESCRIPTION
1	542159	SHIELD, RH 52 CALIBER CE BELT W/DECALS
2	B6183-10	NUT, NYLOC FLANGE M10
3	542125	IDLER, FLAT 175MM W/NEW SPACER SEE DETAILS PG 23
4	B6183-12	NUT, NYLOC FLANGE M12
5	543097	BELT, DECK 52"
6	5201002	SPRING, EXTENSION
7	542132	ASM, COMPLETE DECK IDLER SEE DETAILS PG 20
8	543374	ANCHOR, SPRING 1.46
9	542147	ASM, 150MM FLAT IDLER W/SPACER SEE DETAILS PG 22
10	542025	ASM, DECK STRUT
11	B6182-16	NYLOC NUT M16
12	SABJK16C	ROD END, SPHERICAL 16mm
13	B5782-12120	SCREW, HH M12 X 120
14	B6170-16	NUT M16
15	B5787-825	SCREW, HH FLANGE M8x25
16	B6183-8	NUT, FLANGED NYLOC M8
17	5201055	AXLE PIN WELDMENT
18	542160	DECK, 52 CALIBER CE W/DECALS
19	B801-1060	BOLT, CARRIAGE M10 X 60
20	542084-2	WLD, MULCH 52 LH - RED
21	542158	SHIELD, LH 52 CALLIBER CE BELT W/DECALS
22	B801-12120	BOLT, CARRIAGE M12 X 120
23	542014	ASM, SPINDLE HOUSING SEE DETAILS PG 18
24	543436	BLADE, MULCH 18.0"
25	542123	KIT, BLADE DRIVER
26	103038	WASHER, FLAT .530 X 1.75 X .125
27	105502	WASHER, SPRING DISC 1/2
28	100537	1/2-20 X 2-1/2 HHCS
29	543499-2	CE SHIELD, CALIBER, CENTER, RED
30	543225	ROLLER, ANTI SCALP
31	542085-2	WLD, MULCH 52 RH - RED
32	542086-2	WLD, BLOCK PLATE 52 - RED
33	B5783-820	SCREW, HH TAP M8x20
34	B97.1-8	WASHER 8
35	B5783-816	SCREW, HH TAP M8x16
36	109047	NUT, FLANGE SIDELOCK 5/8-18 UNF
37	543337	SPACER, SPLINED
38	543013	SHEAVE, BLADE DRIVE 6.23
39	543014	SPACER, BLADE DRIVE
40	B1152-6	GREASE FITTING M6

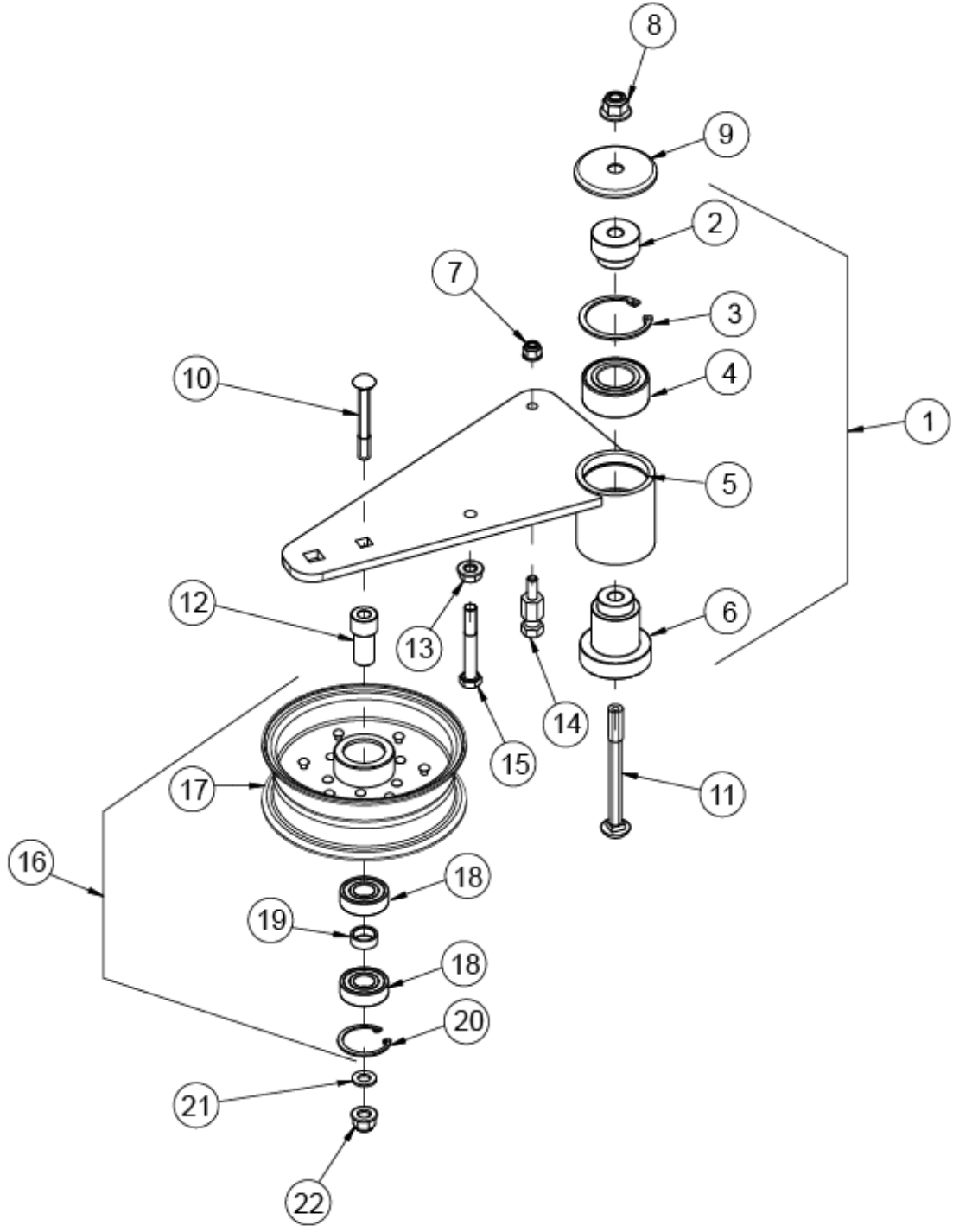
SPINDLE HOUSING ASSEMBLY



SPINDLE HOUSING ASSEMBLY

ITEM	PART NO.	DESCRIPTION
1	542012	HOUSING, CUTTER WITH STUDS
2	543008	GUARD, BOTTOM
3	543009	SPINDLE
4	543010	NUT, SPINDLE
5	543166	BEARING, DAC3055RK
6	B3452.1-545X265	O-RING 54.5 X 2.65
7	543237	SPACER
8	543015	STUD, WHEEL 10MM
9	B893.2-60	RING, SNAP INTERNAL 60mm
10	542014	ASM, CUTTER HOUSING

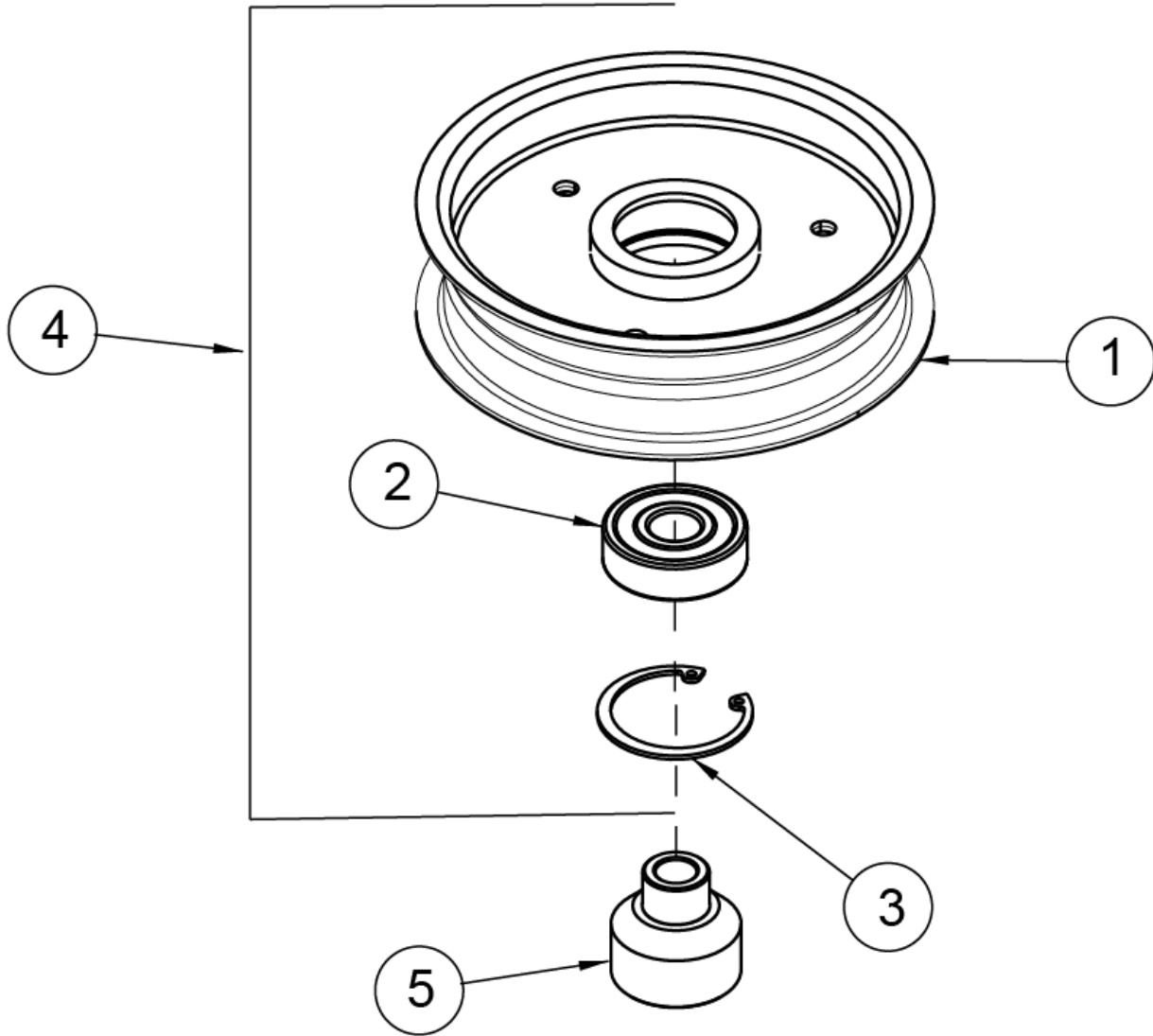
DECK IDLER ASSEMBLY



DECK IDLER ASSEMBLY

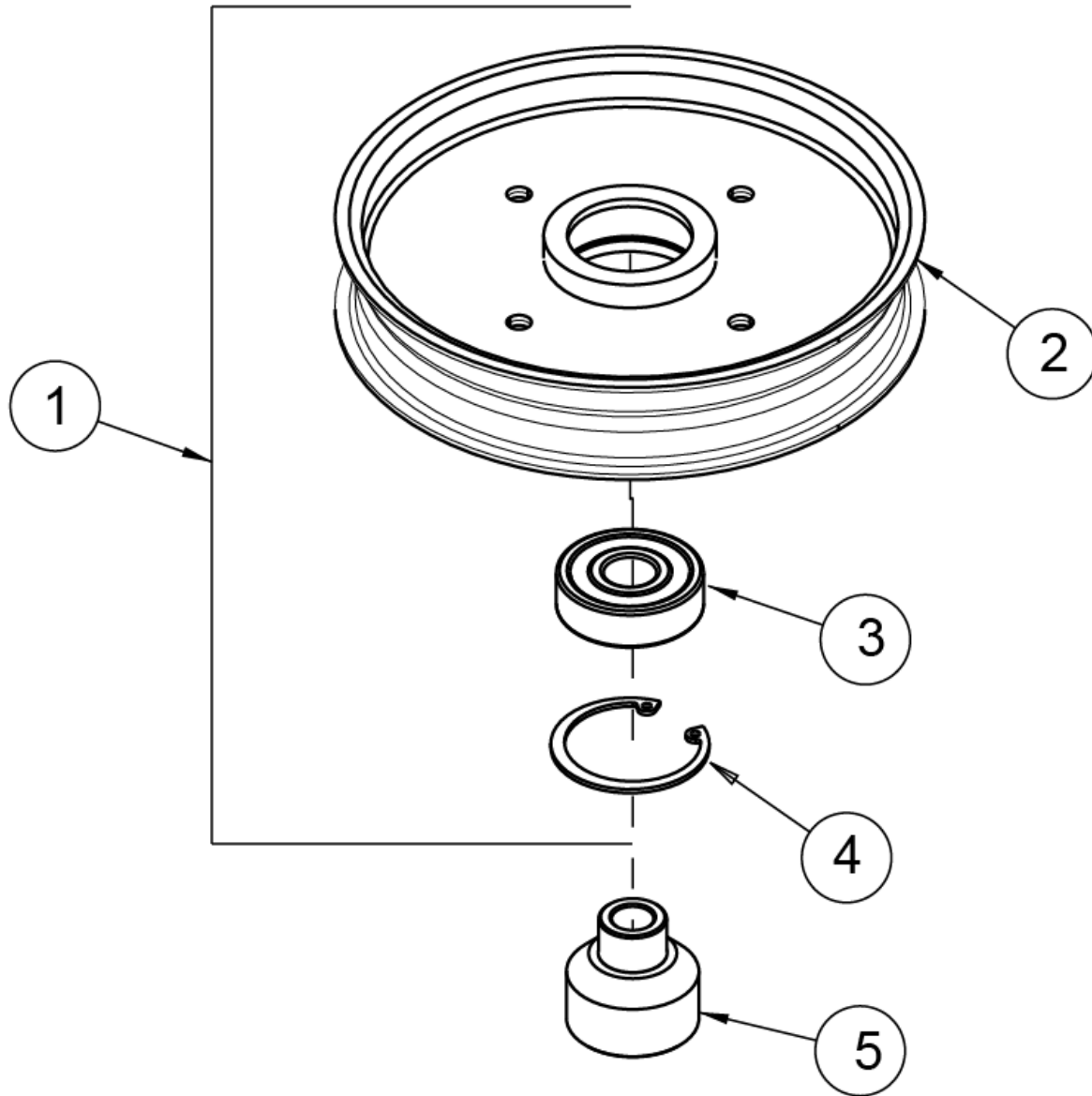
ITEM	PART NO.	DESCRIPTION
1	542131	ASM, DECK IDLER
2	543096	SPACER, STEPPED
3	B893.2-56	RING, SNAP 56MM
4	543236	BEARING, 30BD40DF2
5	542130	WLD, DECK IDLER
6	543463	SPACER, TALL IDLER
7	B6183-8	NUT, FLANGED NYLOC M8
8	B6183-12	NUT, NYLOC FLANGE M12
9	543099	CAP, DUST
10	B801-1075	BOLT, CARRIAGE M10 X 75
11	B801-12120	BOLT, CARRIAGE M12 X 120
12	543462	SPACER, PULLEY
13	B6177-10	NUT, FLANGED M10
14	543100	ANCHOR, SPRING .91
15	B5782-1070	HEX HD BOLT M10- X 70
16	542134	ASM, PULLEY 150MM X 48MM W/BEARINGS
17	542133	ASM, PULLEY 150MM X 48MM
18	B276-6203RS	BEARING 6203-2RS
19	5201077	BUSHING
20	B893.1-40	SNAP RING 40
21	B97.1-10	WSHER, FLAT M10
22	B6183-10	NUT, NYLOC FLANGE M10

FLAT IDLER ASSEMBLY 150MM



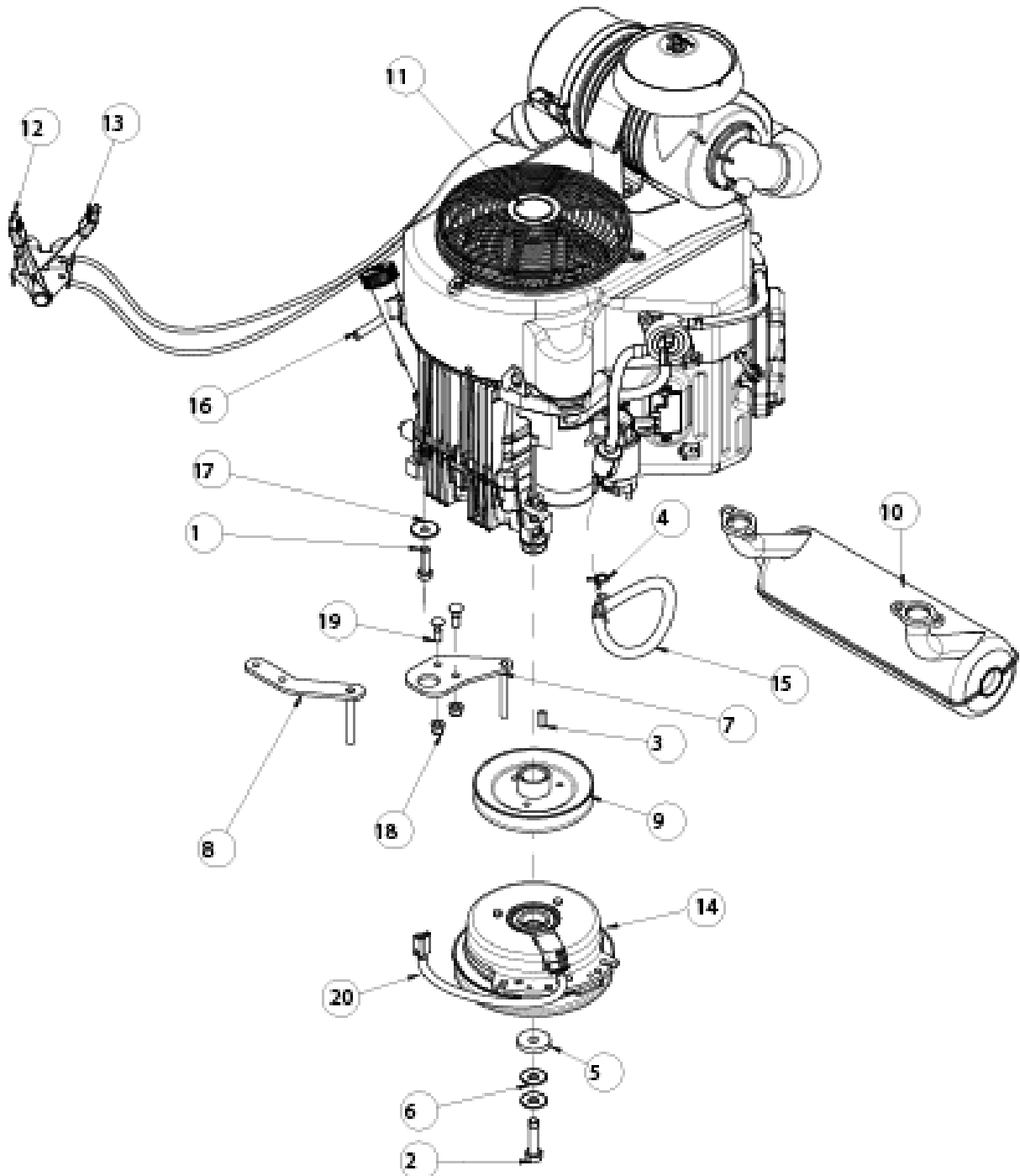
ITEM	PART NO.	DESCRIPTION
1	542137	WLD, FLAT IDLER 150MM
2	B276-6303RS	BEARING 6303-2RS
3	B893.2-47	SNAP RING 47
4	542138	IDLER, FLAT 150MM W/BEARING
5	543450	SPACER, IDLER

FLAT IDLER ASSEMBLY 175MM



ITEM	PART NO.	DESCRIPTION
1	542125	IDLER, FLAT 175MM W/NEW SPACER
2	542032	WLD, FLAT IDLER 175MM
3	B276-6303RS	BEARING 6303-2RS
4	B893.2-47	SNAP RING 47
5	543450	SPACER, IDLER

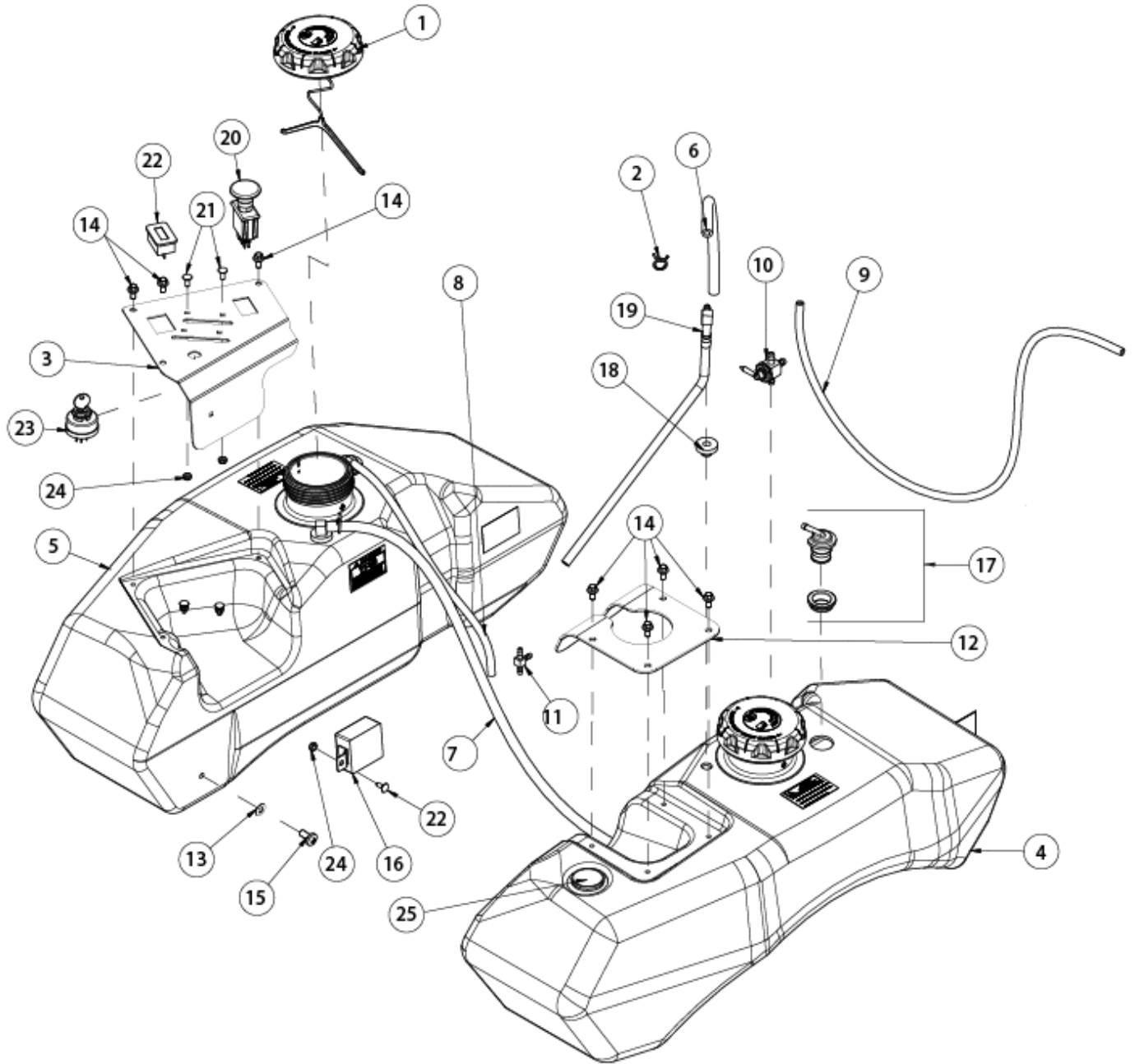
ENGINE ASSEMBLY FX730V



ENGINE ASSEMBLY

ITEM	PART NO.	DESCRIPTION
1	100293	3/8-16 X 1-1/4 HHCS
2	100533	7/16-20 X 1-3/4 HHCS
3	107258	1/4 X 1/4 X 3/4 MACH KEY
4	363098	CLAMP, FUEL LINE 1/4 ID
5	423068	CLUTCH WASHER
6	423069	WASHER, SPRING DISC.- 7/16
7	542076	WLD, CLUTCH ANCHOR 3400 MODELS
8	542077	WLD, CLUTCH ANCHOR 5400
9	543003	SHEAVE, PUMP DRIVE FOR 3400 HYDRO MODELS
	543411	SHEAVE, PUMP DRIVE FOR 5400 HYDRO MODELS
10	543183	MUFFLER, KAW 726cc
	543184	MUFFLER, KAW 852cc
11	REFERENCE ONLY	ENGINE
12	543250	CABLE, THROTTLE
13	543251	CABLE, CHOKE
14	543288	CLUTCH, MS200 W/PIGTAIL
15	583470	HOSE, FUEL 1/4 ID X 13
16	623418	HOSE, FUEL 3/16 ID X 29
17	753027	WASHER, SPRING DISC
18	B6183-8	NUT, FLANGED NYLOC M8
19	B801-825	BOLT, CARRIAGE SN M8X25
20	543364	HARNESS, CLUTCH PIGTAIL

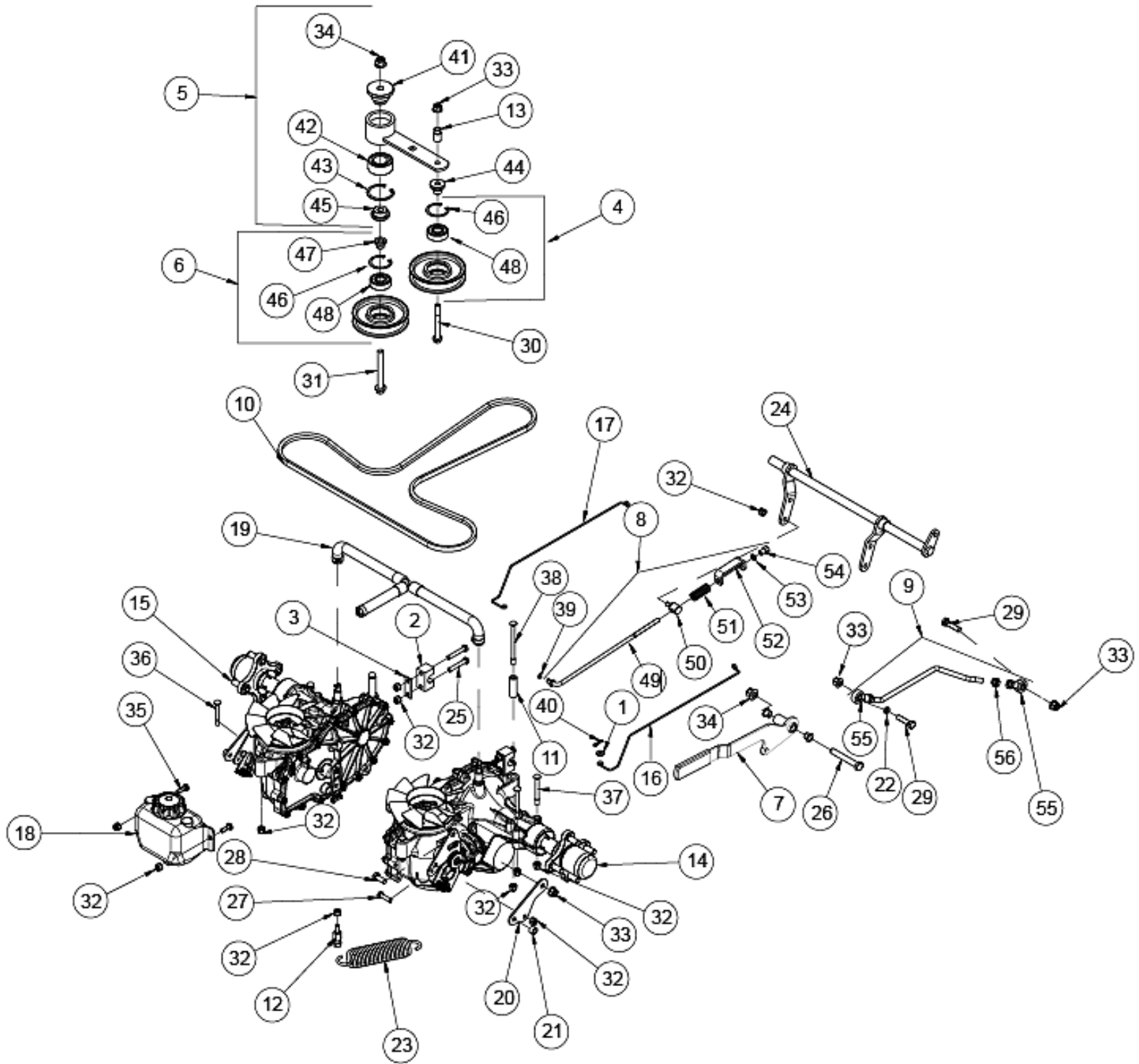
FUEL ASSEMBLY – FX730



FUEL ASSEMBLY – FX730

ITEM	PART NO.	DESCRIPTION
1	5204019	GAS CAP-EPA
2	363098	CLAMP, FUEL LINE 1/4 ID
3	542117	CONTROL PANEL W/DECALS
4	543375	ASM, FUEL TANK LH ENCORE
5	543376	ASM, FUEL TANK RH ENCORE
6	543323	HOSE, FUEL 1/4 ID X 14.5
7	543328	HOSE, FUEL 1/4 ID X 32.5
8	543361	HOSE, VENT 3/16 ID X 15
9	543362	HOSE, VENT 3/16 ID X 36
10	583050	FUEL VALVE
11	5204010	TEE, HOSE 3/16 ID
12	543277-1	CUP HOLDER, BLACK
13	B1972-A16	WASHER, SPRING DISC A16-1
14	B5787-612	SCREW, FLANGED HH M6 X 12
15	B818-816	SCREW, PAN HEAD PHILLIPS M8 X 16
16	543308	MODULE, SEAT DELAY
17	543283	ASM, FUEL VENT W/GROMMET
18	533125	VALVE GROMMET - VITON
19	543306	FITTING, 90° FUEL W/TUBE 10"
20	523031	PTO SWITCH
21	107527	BOLT, CARRIAGE #10-24 X 1/2
22	453417	METER, MS HOUR
23	5208003	IGNITION SWITCH (ELECT)
24	104252	#10-24 HEX NYLOC NUT
25	543278	GAUGE, FUEL 8.5"
NOT SHOWN	5204047	GROMMET, FUEL GAUGE

3400 HYDRO ASSEMBLY



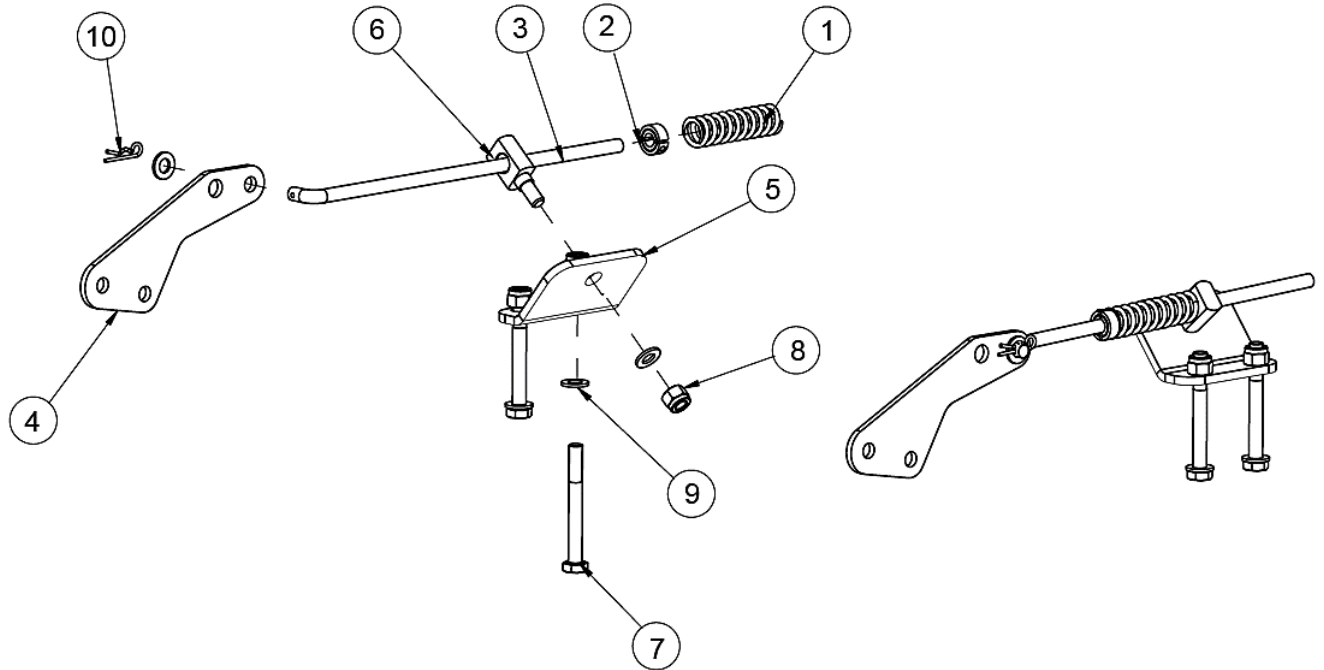
3400 HYDRO ASSEMBLY

ITEM	PAR NO.	DESCRIPTION
1	105257	5/16 SAE FLAT WASHER
2	353028	PIVOT BLOCK
3	353047	PIVOT BLOCK PLATE
4	542050	IDLER, FLAT 110MM W/SPACER
5	542053	ASM, HYDRO IDLER 3400
6	542054	IDLER, FLAT 110MM W/SPACER
7	542067	ASM, BRAKE LEVER
8	542093	ASM, BRAKE LINK 3400
9	542103	ASM, BRAKE ROD
10	543006	BELT, HYDRO
11	543076	SPACER
12	543100	ANCHOR, SPRING .91
13	543169	SPACER
14	543210	HYDRO, ZT 3400 LH
15	543211	HYDRO, ZT 3400 RH
16	543227	RELEASE, HYDRO LH
17	543228	RELEASE, HYDRO RH
18	543285	TANK, HYDRO OVERFLOW 1 QT
19	543286	ASM, HYDRO VENT 3400
20	543315	EXTENSION, CONTROL ARM
21	543316	SPACER
22	4801302	SPACER
23	5201002	SPRING, EXTENSION
24	542099-1	WLD, CROSS SHAFT BRAKE, BLACK
25	B5787-850	HEX FLANGE HD BOLT M8 X 50
26	B5782-1280	SCREW, HH M12 X 80
27	B5783-830	SCREW, HH TAP M8 X 30
28	B5783-1025	SCREW, HH TAP M10 X 25
29	B5783-1040	BOLT, M10 X 40
30	B5787-1090	SCREW, H FLANGE M10 X 90
31	B5787-12100	SCREW, HH FLANGE M12 X 100
32	B6183-8	NUT, FLANGED NYLOC M8
33	B6183-10	NUT, NYLOC FLANGE M10
34	B6183-12	NUT, FLANGE M12
35	B801-825	BOLT, CARRIAGE SN M8 X 25
36	B801-860	BOLT, CARRIAGE SN M8 X 60
37	B801-875	BOLT, CARRIAGE SN M8 X 75
38	B801-8110	BOLT, CARRIAGE SN M8 X 110
39	B896-6	E-CLIP 6
40	XSZ56-1-17	HAIR PIN
41	543162	SPACER, STEPPED
42	543236	BEARING, 30BD46DF2
43	B893.2-56	RING, SNAP 56MM

3400 HYDRO ASSEMBLY

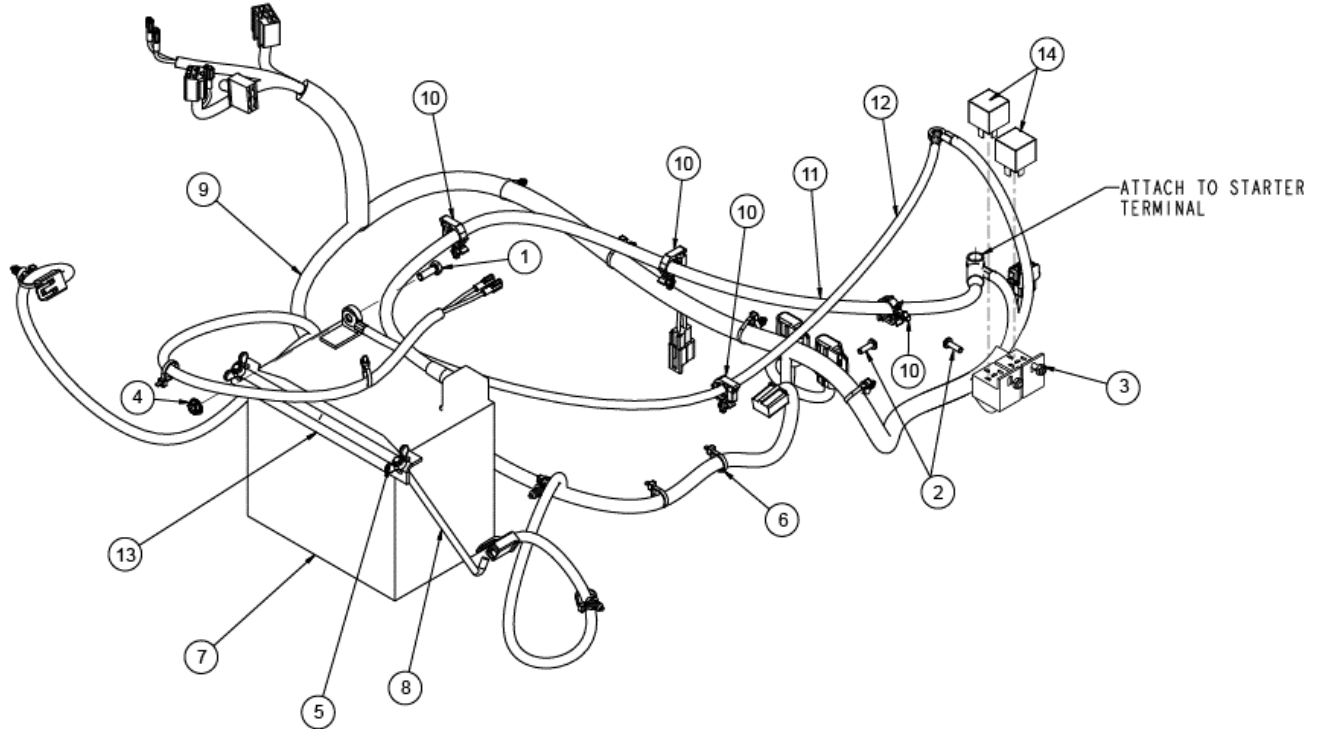
ITEM	PART NO.	DESCRIPTION
44	543163	SPACER, STEPPED
45	543164	SPACER, STEPPED
46	B893.2-47	SNAP RING 47
47	543167	SPACER, STEPPED
48	B276-6303RS	BEARING 6303-2RS
49	543200	LINK, BRAKE 3400
50	543201	SWIVEL, BRAKE
51	523024	SPRING, COMPRESSION
52	543386	RETAINER, BRAKE SPRING
53	363177	3/8 PUSH NUT
54	543387	NUT, BRAKE SPRING
55	543430	EMD, SPHERICAL ROD M10
56	B6170-10	NUT M10 X 1

RTN GROUP, CE



ITEM	PART NO.	DESCRIPTION
1	523024	SPRING, COMPRESSION
2	523112	5/16" CLAMP COLLAR
3	523114	ASSIST ROD
4	543500	CE RTN CONTROL ARM, CALIBER
5	543501	CE RTN TAB, CALIBER
6	3602721	SWIVEL
7	B5782-870	BOLT M8X70
8	B6182-8	NUT, NYLOC M8
9	B97.1-8	WASHER 8
10	XSZ56-1-17	HAIR PIN

ELECTRICAL ASSEMBLY



ITEM	PART NO.	DESCRIPTION
1	100252	1/4-20 X 3/4 HHCS
2	101039	#10-24 X 5/8 MACH SCREW
3	104252	#10-24 HEX NYLOC NUT
4	109000	1/4-20 WHIZLOCK NUT
5	109012	1/4 WING NUT
6	363222	PLASTIC TIE
7	FOR REFERENCE ONLY	BATTERY
8	423172	BATTERY HOLD DOWN ROD - PLATED
9	543267	HARNESS, WIRING
10	543309	CLIP, ROSEBUD LOOM 13MM
11	543329	ASM, BATTERY CABLE POSITIVE
12	543330	CABLE, BATTERY NEGATIVE
13	453419-1	BATTERY HOLD DOWN - BLACK
14	5208042	12V RELAY (USA)

DECAL ASSEMBLY



8303



8318



523493



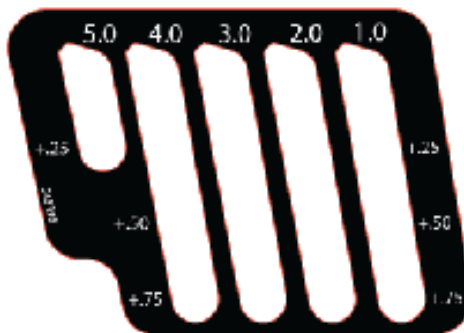
8324



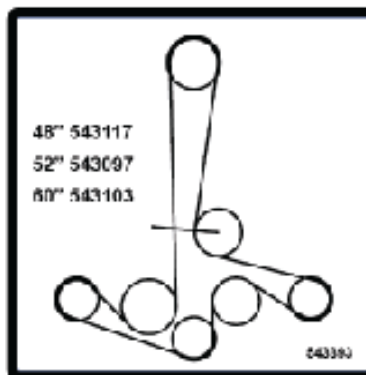
543391



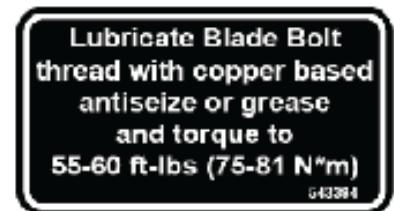
543392



543398



543393



543394



543397



453389



453390



543396

DECAL ASSEMBLY



633341



543433



633342



633344



633343



633348



633347



633345



543395



543406



633346



543401

DECAL ASSEMBLY

ENCORE

363243

ENCORE

543470

ENCORE

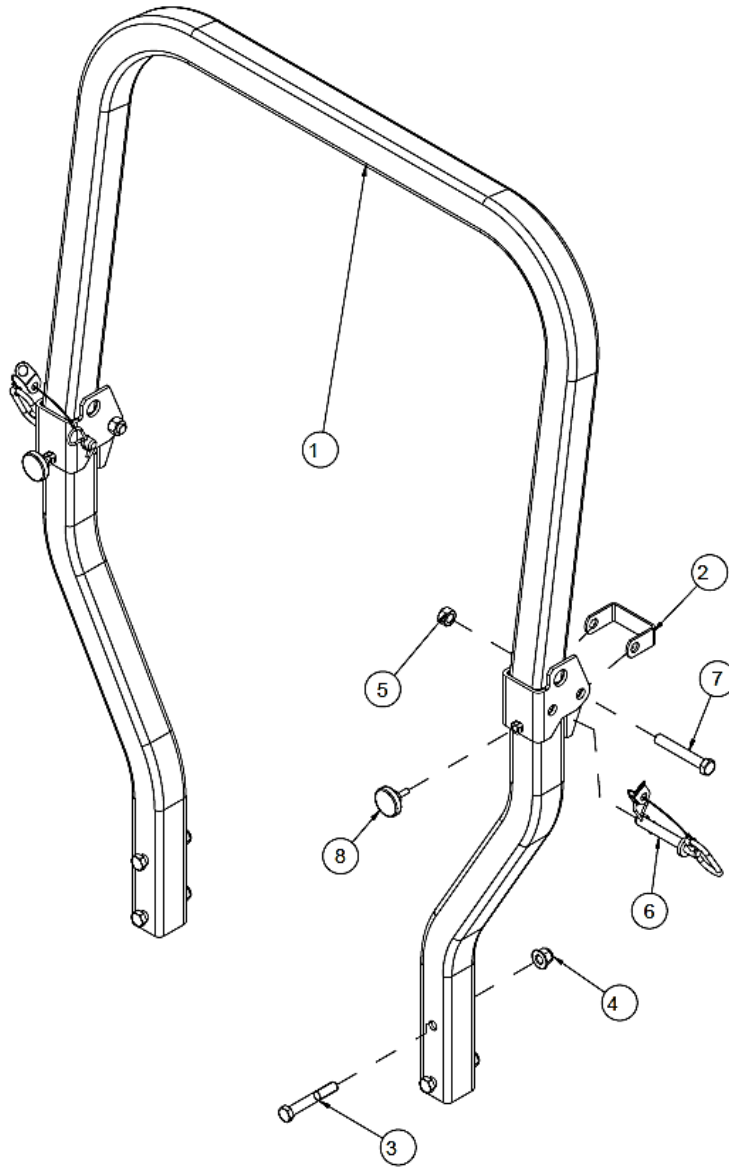
543471



CALIBER

543403

ROPS ASSEMBLY



ITEM	PART NO.	DESCRIPTION
1	541002	ROPS ASSEMBLY, COMPLETE
2	543443	ROPS STOP
3	B5782-1280	SCREW, HH M12 X 80
4	B6183-12	NUT, NYLOC FLANGE M12
5	104259	1/2-13 HEX NYLOC NUT
6	543262	PIN, ROPS W/LANYARD
7	100332	SCREW, HH 1/2-13 X 3-1/4
8	543261	KNOB, ROPS



ENCORE

ALL RIGHTS RESERVED

CONTENTS SUBJECT TO CHANGE

CALIBER CE PARTS MANUAL

933266 201708