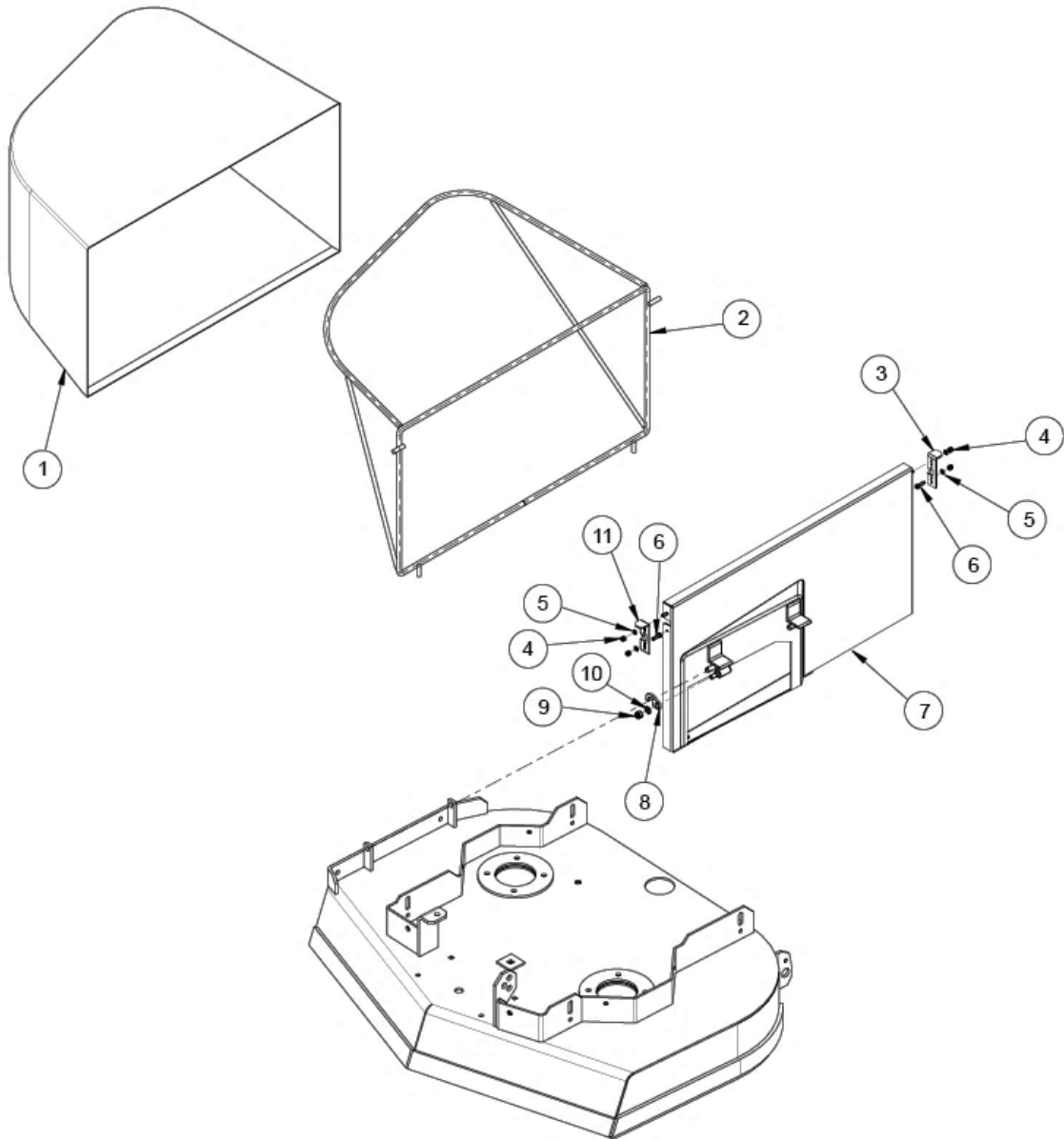


151033 GRASS CATCHER 32"/36" COMPACT STANDON



ITEM NO.	PART NO.	DESCRIPTION
1	4810300B	PAN AND CATCHER - NO LOGO
2	4810200	GRASS CATCHER WIRE FRAME
3	2802203	GRASS CATCHER LATCH, RH
4	B6182-5	NUT, NYLOC M5
5	B97.1-5	WASHER 5
6	B823-520	SCREW M5 X 20
7	152087	ASM, BACK PLATE 36 SO
8	4810101	LOCK CATCH
9	B6182-8	NUT, NYLOC M8
10	B97.1-8	WASHER 8
11	2802202	GRASS CATCHER LATCH LH