



# SERVICE NOTICE

Date: 9/5/2007

Number: SN0307

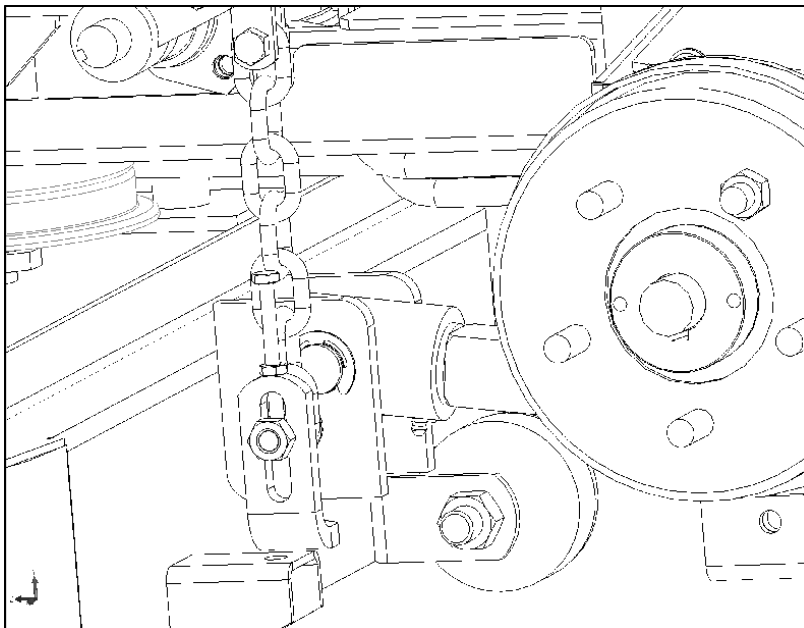
Subject: X-treme 48, 52 and 60 unit below serial # 53686.

---

Details: When encountering hose damage on the X-treme Model you may remedy the problem by trimming the stand offs that are located to the rear of the deck. To do this raise the rear of the machine, making sure that it is secure, At this time remove the belt cover from the right hand side of the deck and roll the deck drive belt off of the spindle pulley. Now remove the rear tires and starting on the trim side or left hand side of machine from operators position remove the deck lift chain by removing the 3/8 bolt from the deck chain bracket. After doing this remove the straight grease fitting from the deck arm and replace it with the 90° grease fitting that is located in the rear of the of the deck lift arm tube assembly (just swap fittings). With that done now remove the cutter key from the support pin on the deck. Remove the pin and block the deck arm up, with a 4" grinder either cut or grind both deck arm stand offs to a 3/4" / 45° angle. After accomplishing this rotate the 90° grease fitting to the bottom side of the deck arm and replace the pin and cotter key. Reattach the deck chain bracket and repeat the procedure on the right hand side.

Replace the deck belt making sure the it is on all pulleys correctly, belt cover and replace the wheels.

If any hoses need to be replace please use part # 533089 outside and # 533090 inside lines. Note that hoses should be replaced while the wheels are removed.



Note: Encore will allow 1 hour to grind the deck risers and if hoses are replaced add 1/2 hour. warranty time.

Thanks

Encore Service Department.