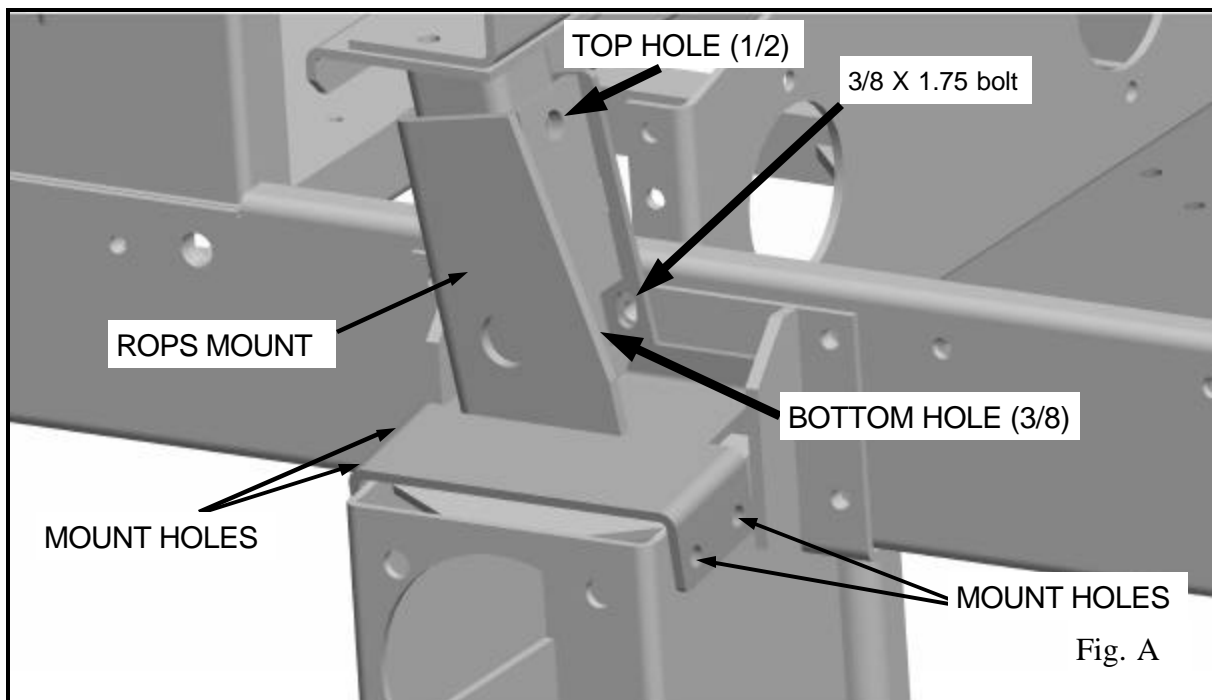


## ENCORE PROWLER ROPS FEMCO # 301943707

**WARNING:** Do not modify the ROPS structure in any way. This Roll Over Protective Structure has been designed specifically for this machine and any modifications can affect its performance in the event of a roll over.

### Installation

1. Elevate tractor & remove rear wheels.
2. Disconnect parking brake control rods.
3. Remove the existing 3/8 bolt shown in Fig. A.
4. Position Lh mount and connect using (1) 3/8-16 x 1.75 bolt (2) 3/8 flat washers and (1) 3/8 center lock nut.
5. Confirm that mount surfaces are flush. Drill holes mount holes to .406
6. Insert (4) 3/8-16 x 1.0 bolt (8) 3/8 flat washers and (4) 3/8 center lock nuts.
7. Torque to 35 FT-LBS. Repeat to RH side.
8. Insert ROPS post into mount and secure using 1/2-13 x 3.25 bolt, (2) 1/2 flat washers and (1) 1/2 lock nut. Top hole only. DO NOT TIGHTEN. Fig B.
9. Insert 3/8-16 x 3.0 bolt into bottom hole and fasten using (2) 3/8 flat washers and (1) 3/8 lock nut. Repeat to RH side. DO NOT TIGHTEN.



## ROPS POST ASSEMBLY

1. Place ROPS top loop onto ROPS posts as shown in Fig D.
2. Secure using (2) 1/2 HINGE PINS AS SHOWN Fig E.
3. Install ROPS stop using (1) 1/2-13 x 3.75 bolt & 1/2 lock nut.
4. Insert 1/2-13 x 3.25 bolt into other remaining hinge hole. Secure with 1/2 lock nut. Tighten ALL hardware.
5. Insert anti-rattle knobs as shown. Tighten.

