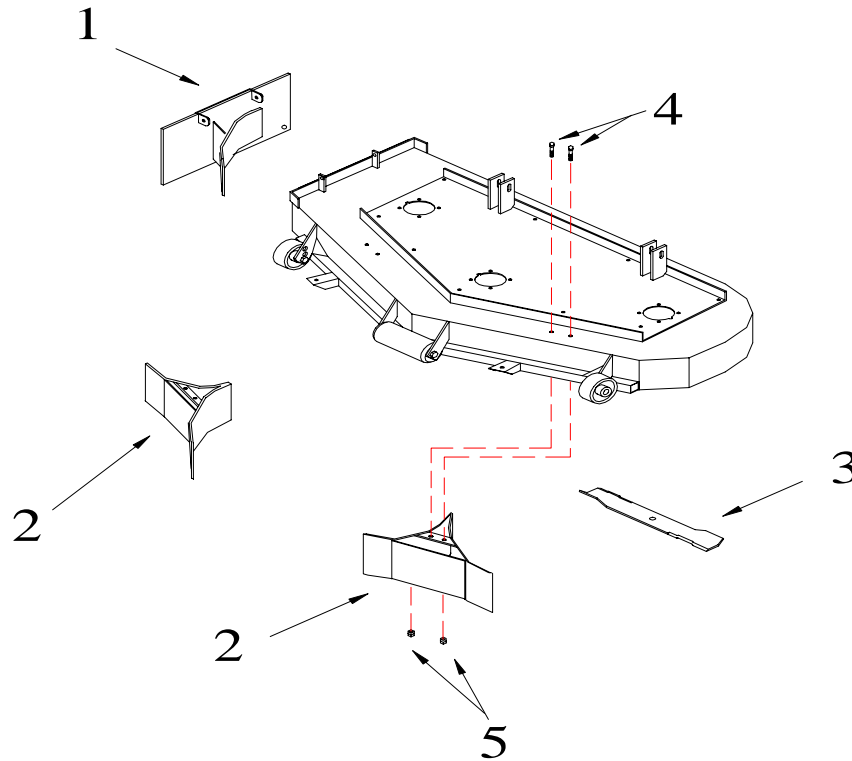




Z60 Mulch Kit

Part # 601016

Installation Instructions



Details:

Begin the installation of the mulch kit by checking that you received all the parts listed on the parts list below. You will need to drill out the existing pilot holes at the front of the deck (as shown on the diagram above) with an 11/32" drill bit. After drilling the holes, secure the mulch baffles to the underneath side of the deck by fastening with the 5/16 x 1" bolts and 5/16 nyloc nuts.

You will need to remove the deflector chute from the discharge opening. There you will install the mulch coverplate using two 5/16 x 1" bolts and 5/16 nyloc nuts. You may affix a third 5/16 x 1" bolt and nyloc nut in the lower rear corner of the coverplate. There is an existing hole in the coverplate, however, you will need to drill an 11/32" hole into the deck to use for fastening the 5/16 x 1" bolt and nyloc nut.

Remove the existing blades and replace with the three mulch blades included in the mulch kit. Torque the blades to 65ft-lbs. This completes the installation of the Z60 Mulch Kit.

Item #	Qty	Part #	Description
1	1	602046	Mulch Coverplate
2	2	602044	Mulch Baffle
3	3	603055	Mulch Blade
4	7	100273	5/16 X 1 HHCS
5	7	104256	5/16 Nyloc Nut