



## Z42\_Z48 Weight Bracket Kit

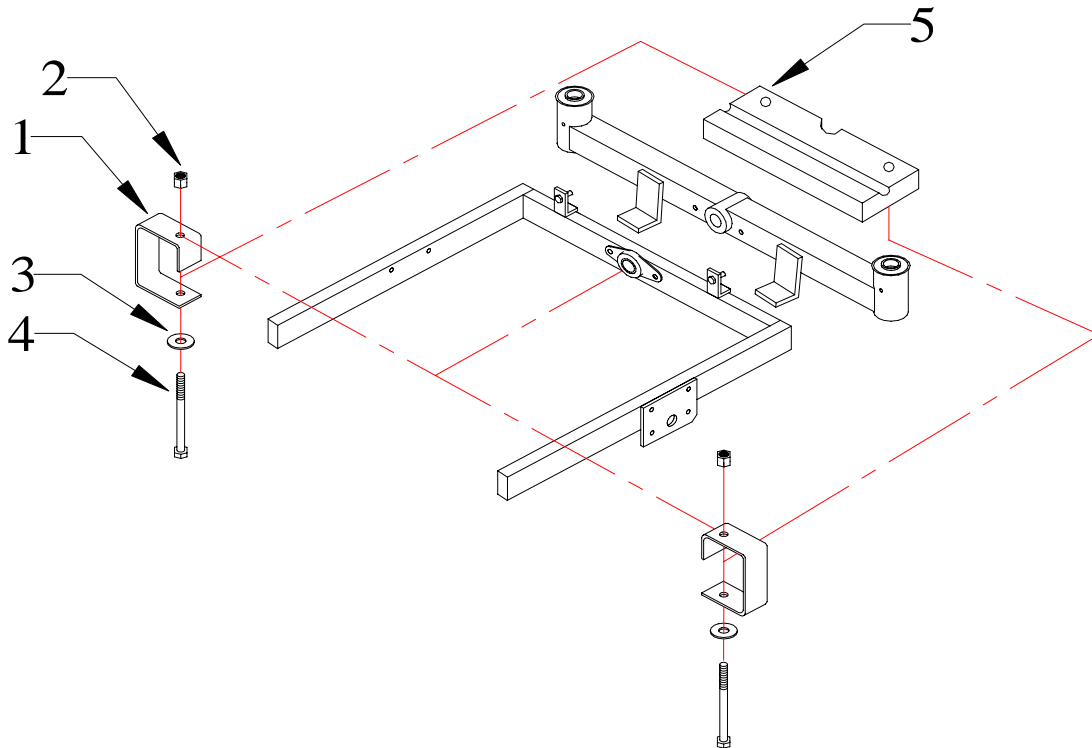
(part # 422080)

and

## Weight Kit

(part # 821017)

### Installation Instructions



- 1) Remove parts from box.
- 2) Place weight brackets (part # 423226) on frame approximately 2-3 inches from front of frame.
- 3) Install weight (part # 823281) from the front of frame.
- 4) Position weight so as to clear the front casters.
- 5) Secure weight into position using two 1/2x4 HHCS, 1/2 Flat Washers, and 1/2 Nyloc Nuts.

#### Parts List

#	Part #	Qty	Description
1	423226	2	Weight Bracket
2	104259	2	1/2-13 Nyloc Nut
3	105264	2	1/2 Std Flatwasher
4	100335	2	1/2-13x4 HHCS
5	823281	1	Front Weight