

Tracking Adjustment

The Encore Z34 riding lawnmower comes from the factory with the neutral setting already adjusted; however, the full-speed tracking will require checking.

The full-speed tracking may be checked by operating the machine on a smooth level surface. If the machine tends to travel more to one side rather than in a straight line, the tracking requires adjustment.

The tracking adjustment can be made by altering the position of the stop-plate located beneath the fuel tank/fender on each side of the machine. See Figure 7. The stop-plate limits the amount of stroke allowed on the steering lever. By rotating the stop-plate away from the linkage rod, the steering lever will be allowed to travel further thereby making that side faster.

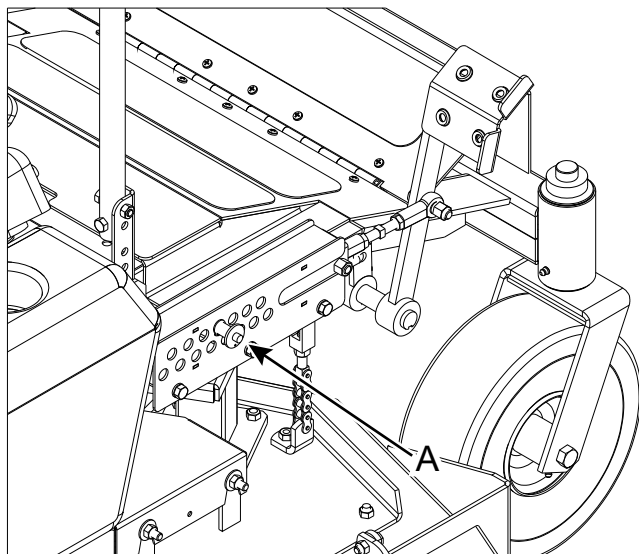


Figure 6

Deck Height Adjustment

Deck height adjustment can be attained by pressing down on the foot pedal and pulling the cut pin (A) out and repositioning it with the corresponding hole to the depth gauge label (See Fig. 6). Adjustments can be made in 1/4" increments from 1" to 4 1/2".

Leveling Deck

The deck comes from the manufacturer pre-leveled. If the deck does not appear to be cutting level use the following procedure. When leveling the deck, you will notice there are four chains (B) that support the deck (See fig. 8) these are the points you adjust when you need to level the deck.

1. Set all tire pressures to the correct specification.
2. Place machine on a level concrete surface.
3. Wearing heavy gloves, move blades by hand so they are pointing in the same direction. Measure from the blade tip (beveled edge to the ground). If there is more than 3/16" difference from one side to the other, the deck should be leveled.
4. Adjust deck height by loosening nut on deck lift chain and raising or lowering accordingly. Once you have achieved a difference of 3/16" or less retighten nut.

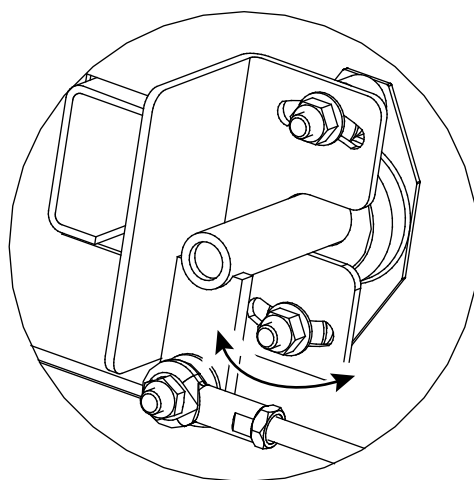


Figure 7

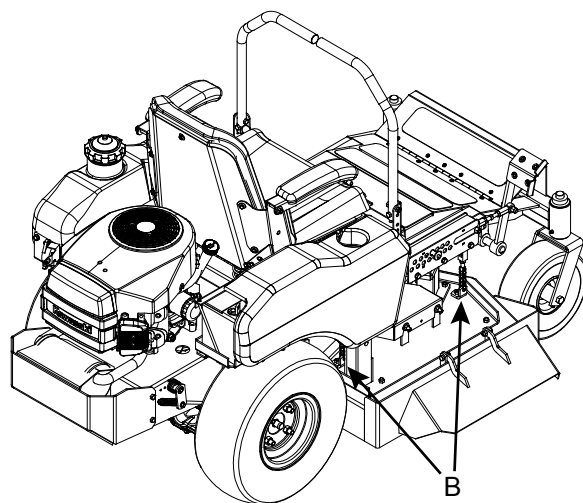


Figure 8