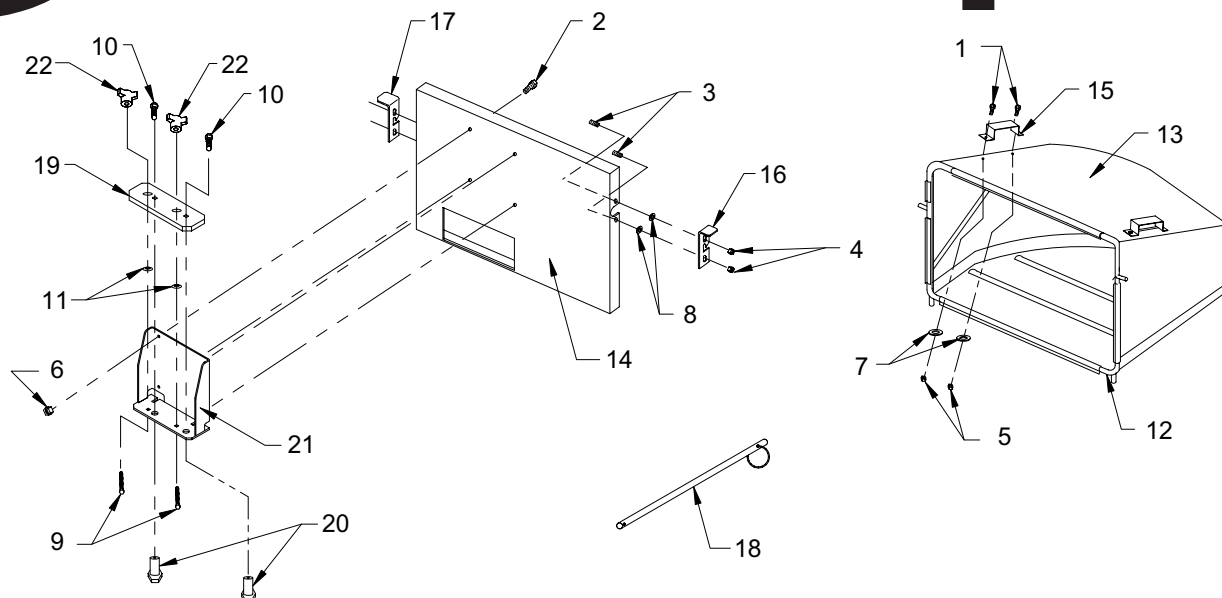


Z34 Grass Catcher

Part Number: 151016
Capacity: 3 Bushels

Parts List and Assembly Instructions



#	Part #	Qty	Description	#	Part #	Qty	Description
1	100254	4	1/4-20x1 HHCS	12	152005	1	Frame Assy
2	100271	4	5/16-18x3/4 HHCS	13	152007	1	Pan & Catcher Complete
3	101039	4	#10-24x5/8 Pan Head Screw	14	152046	1	Backplate Assy
4	104252	4	#10-24 Nyloc Nut	15	153003	2	Bag Handle
5	104255	4	1/4-20 Nyloc Nut	16	153007	1	Left Latch
6	104256	4	5/16-18 Nyloc Nut	17	153010	1	Right Latch
7	105256	4	1/4 Std. Flat Washer	18	153046	1	Ring-Pin
8	105500	4	1/4" Wavy Washer	19	153133	1	Adapter Strap
9	107520	2	5/16-18x1 3/4 Carr. Bolt	20	153135	2	Adapter Ram
10	107522	2	5/16-18x5/8 Carr. Bolt	21	152048	1	Backplate-Support
11	109030	2	5/16" Retaining Clip	22	753028	2	Knob

Assembly Instructions:

First

After removing all the items from carton and laying them out in an orderly manner, mount the backplate-support to the deck using the slots in the mounting phlange on the backplate-support. Slide the retaining ring-pin through the mount tabs above the discharge opening. Tighten backplate-support against retaining ring-pin by tightening the elevator knobs mounted on the backplate-support.

Second

Attach backplate to backplate-support with four 5/16-18 x 3/4 hex head cap screws and four 5/16-18 nyloc nuts.

Third

Attach left and right latches to backplate as shown above using four #10-24 x 5/8 pan head screws, four 1/4" spring washers and four #10-24 hex nuts. Do not tighten nuts completely as latches must slide up and down freely.

Fourth

Install sewn bag to frame using a screwdriver to attach the "J" strip to frame.

Fifth

Attach two bag handles to bag frame assembly with four 1/4-20 x 1 cap screws, four handle washers, and four 1/4-20 hex nuts. Insert cap screw through hole in handle through bag and between two parallel round bars (welded in place on frame), install washers and tighten nuts.

