



ENCORE X-TREME SERIES

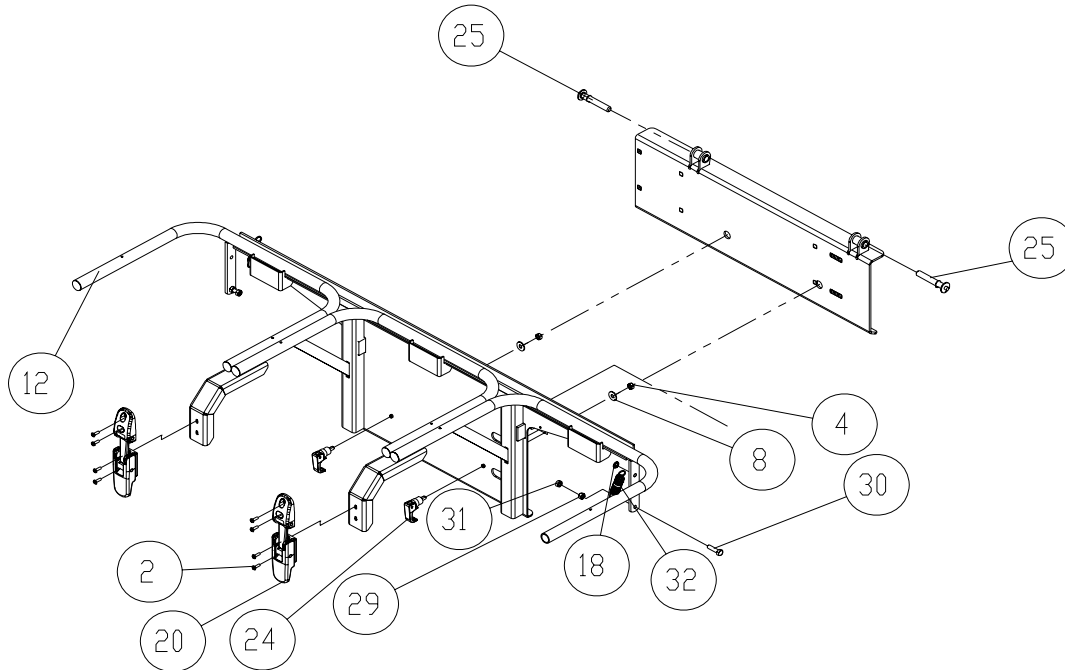
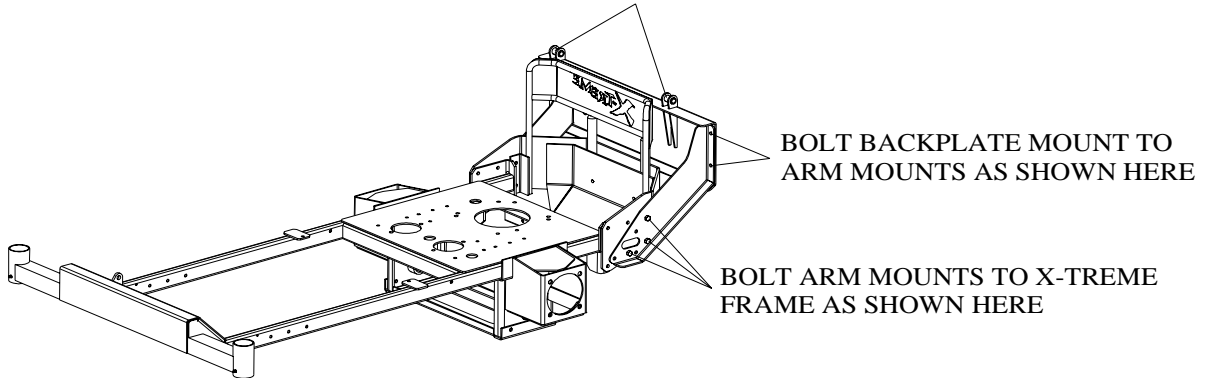
3-BAG GRASS CATCHER

ASSEMBLY INSTRUCTIONS

MOUNTING INSTRUCTIONS - X-TREME

3-BAG HOOD ASSEMBLY

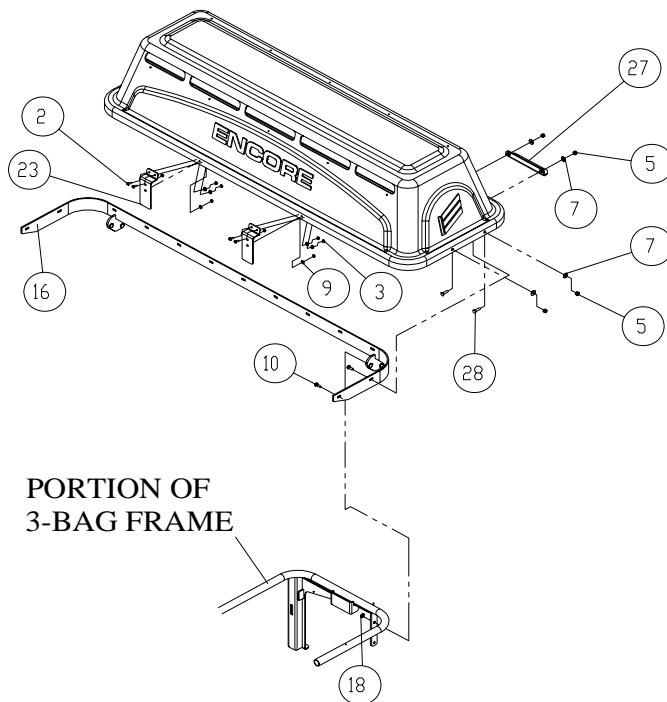
USING THE DECK HEIGHT PIN ASSEMBLIES AND SWELL LATCHES, ATTACH THE 3-BAG FRAME TO THE BACKPLATE MOUNT



BOLT THE 3-BAG FRAME TO THE BACKPLATE MOUNT USING THE DECK HEIGHT PINS (#25) AND SWELL LATCHES (#24).

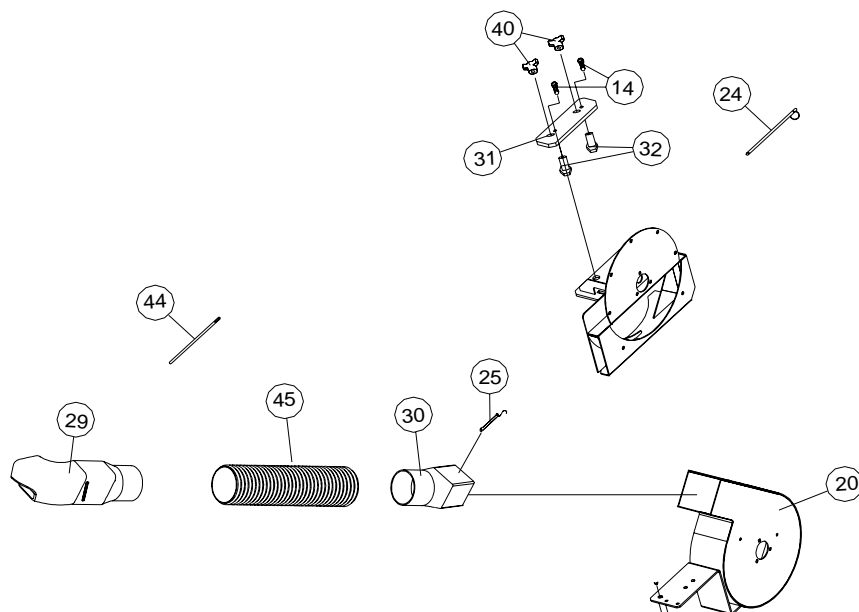
MOUNTING INSTRUCTIONS - X-TREME

3-BAG HOOD ASSEMBLY



MOUNTING INSTRUCTIONS - X-TREME

3-BAG BLOWER ASSEMBLY

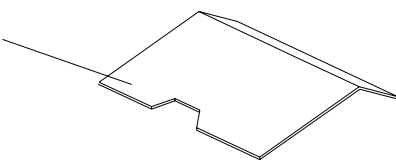


USING THE MOUNTING TABS AT THE DISCHARGE OPENING OF THE DECK, MOUNT THE BLOWER ASSY TO THE DECK BY SLIPPING THE MOUNTING TABS INTO THE SLOTS FOUND ON BLOWER MNT WLDMT. SECURE IN PLACE USING RING PIN (#24). TIGHTEN DOWN KNOBS (#40) UNTIL ADAPTER RAMS (#32) ARE TIGHT AGAINST THE DECK. FASTEN THE GRASS TUBE (#45) TO THE HOSE ADAPTERS (#29 & #30) USING GRASS TUBE CLAMPS (#44). ATTACH BLOWER TIE DOWN (#25) TO BLOWER HOSE ADAPTER (#30) USING HARDWARE FROM BOLT BAG.

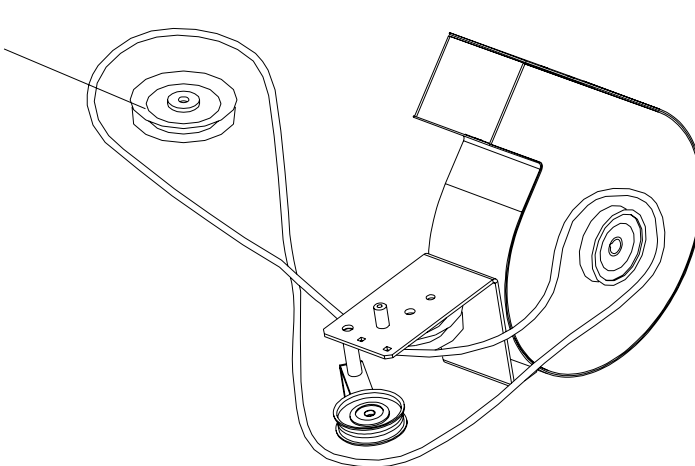
MOUNTING INSTRUCTIONS - X-TREME

3-BAG BLOWER ASSEMBLY

DRIVE PULLEY GUARD



DRIVE PULLEY ON
RH DECK SPINDLE



Route the blower drive belt so that the "V" side of the belt rides in the "V" groove of the drive pulley mounted on the RH blade spindle, the driven pulley mounted on the outside of the blower, and the stationary idler pulley bolted to the blower. The "flat" side of the drive belt should ride against the flat groove found on the spring tensioner pulley. Refer to diagram above for illustration of belt routing.

After routing the blower drive belt, be certain to install the drive pulley guard included with your grass catcher kit.

NOTES:

NOTES:

NOTES:



ENCORE
POWER EQUIPMENT