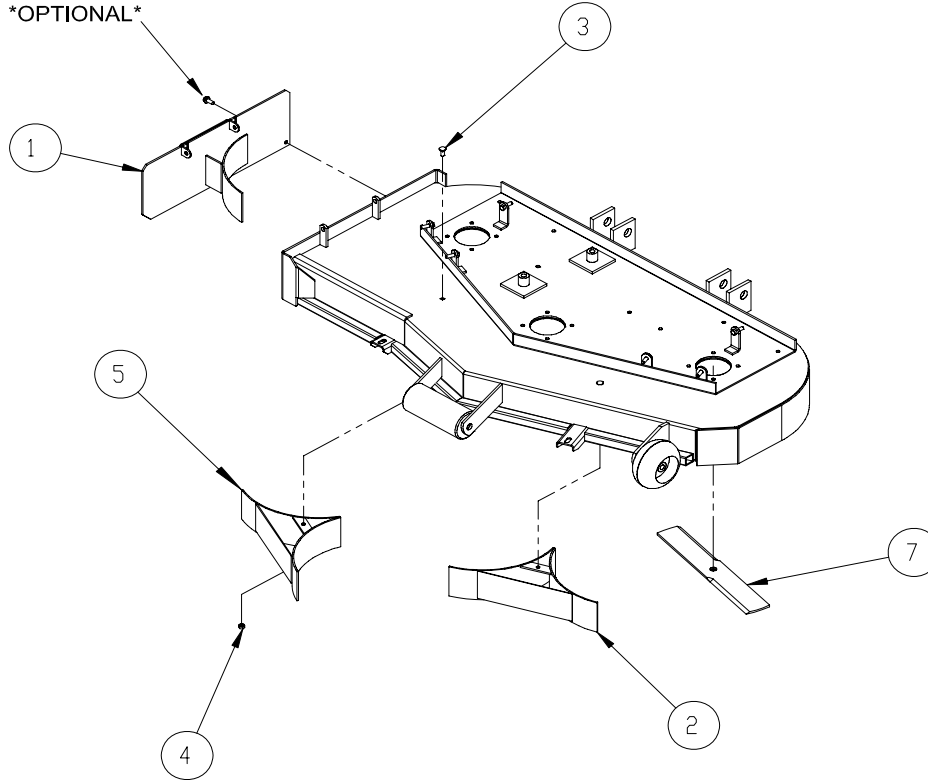




X52 MULCH KIT (part # 531012)

Serial # 53138 and Above
Installation Diagram



#	Part #	Qty	Part Name
1	532070	1	X52 Mulch Cover Plate
2	522168	1	Mulch Baffle LH
3	107503	2	5/16-18 x 3/4 Carr. Bolt
4	104256	2	5/16-18 Nyloc Nut
5	522166	1	Mulch Baffle RH
OPTIONAL	103005	1	5/16-18 x 3/4 Hex Washer HD TCS
7	823353	3	18" Mulch Blade

Details:

- 1) Replace the existing blades with the Wavy Mulch Blades included in the kit. Be certain to torque to 65 ft-lbs.
- 2) Install mulch baffles into existing holes found along front top of deck as shown in the diagram above. Fasten baffles to deck using 5/16 x 3/4 Carr. Head Bolts and 5/16 Nyloc Nuts.
- 3) Install the Mulch Plate by fastening to existing deflector chute mounting tabs on deck.

OPTIONAL

Secure the lower rear corner of Mulch Plate to deck by drilling 9/32" hole into deck wall and fastening with 5/16 x 3/4 Hex Washer HD TCS.