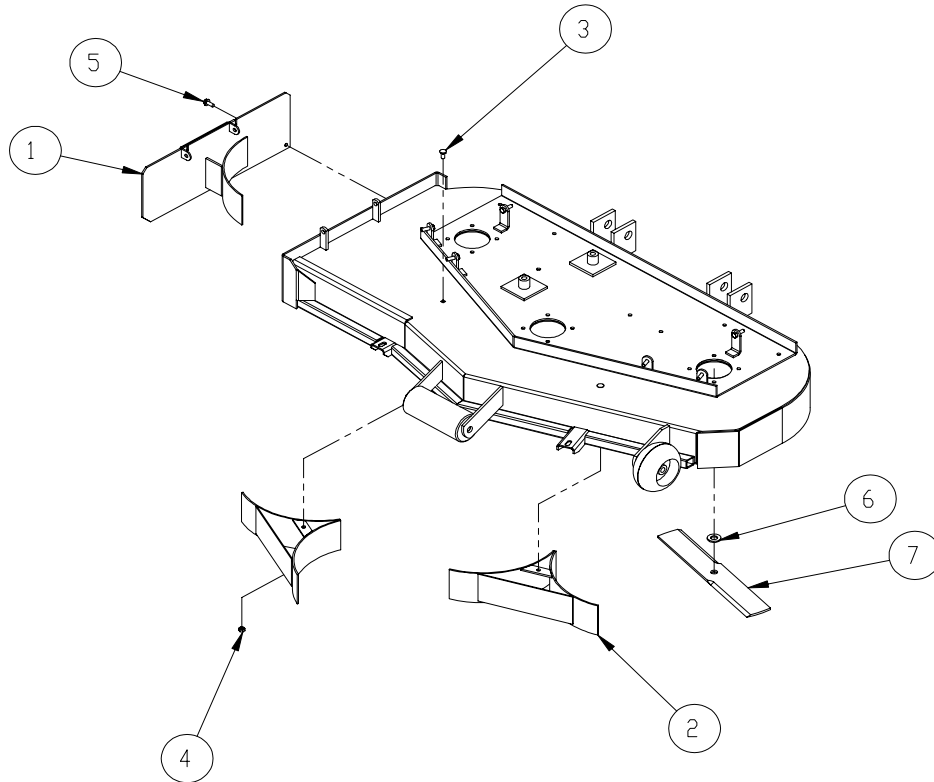




X48 MULCH KIT (part # 531007) Installation Diagram



#	Part #	Qty	Part Name
1	532066	1	X48 Mulch Plate
2	422072	2	Mulch Baffle
3	107503	2	5/16-18 x 3/4 Carr. Bolt
4	104256	2	5/16-18 Nyloc Nut
5	103005	1	5/16-18 x 3/4 Hex Washer HD TCS
6	109025	3	5/8 Heavy Flat Washer
7	483049	3	16" Wavy Mulch Blade

Details:

- 1) Replace the existing blades with the Wavy Mulch Blades included in the kit. Be certain to install one 5/8 Heavy Flat Washer with each blade to use as a blade spacer. Torque to 65 ft-lbs.

- 2) Install mulch baffles into existing holes found along front top of deck as shown in the diagram above. Fasten baffles to deck using 5/16 x 3/4 Carr. Head Bolts and 5/16 Nyloc Nuts.

- 3) Install the Mulch Plate by fastening to existing deflector chute mounting tabs on deck. Secure the lower rear corner of Mulch Plate to deck by drilling 9/32" hole into deck wall and fastening with 5/16 x 3/4 Hex Washer HD TCS..