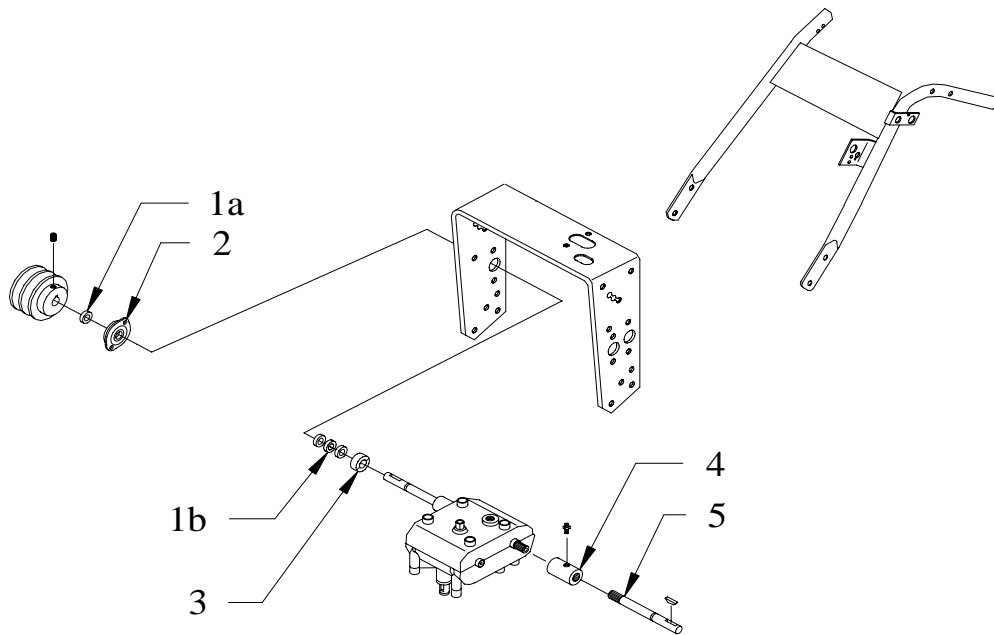


Belt Drive Walk-Behind Snap-Ring Replacement



For machines that are experiencing re-occurring snap-ring failures, an alternative repair may be performed. The 5/8" snap-ring (part # 108508) may be substituted with three transmission shaft spacers (part # 363087) and one 5/8" clamp collar (part # 363339). The 5/8" clamp collar and transmission shaft spacers must all be installed snug against the inside of the flange bearing.

Parts List

Diagram #	Part #	Description
1a	363087	Transmission Shaft Spacer
1b	363087	Transmission Shaft Spacer
2	363292	Bearing w/ Flange
3	363339	5/8" Clamp Collar
4	362086	Coupler w/ Zerk
5	363367	Extension Shaft