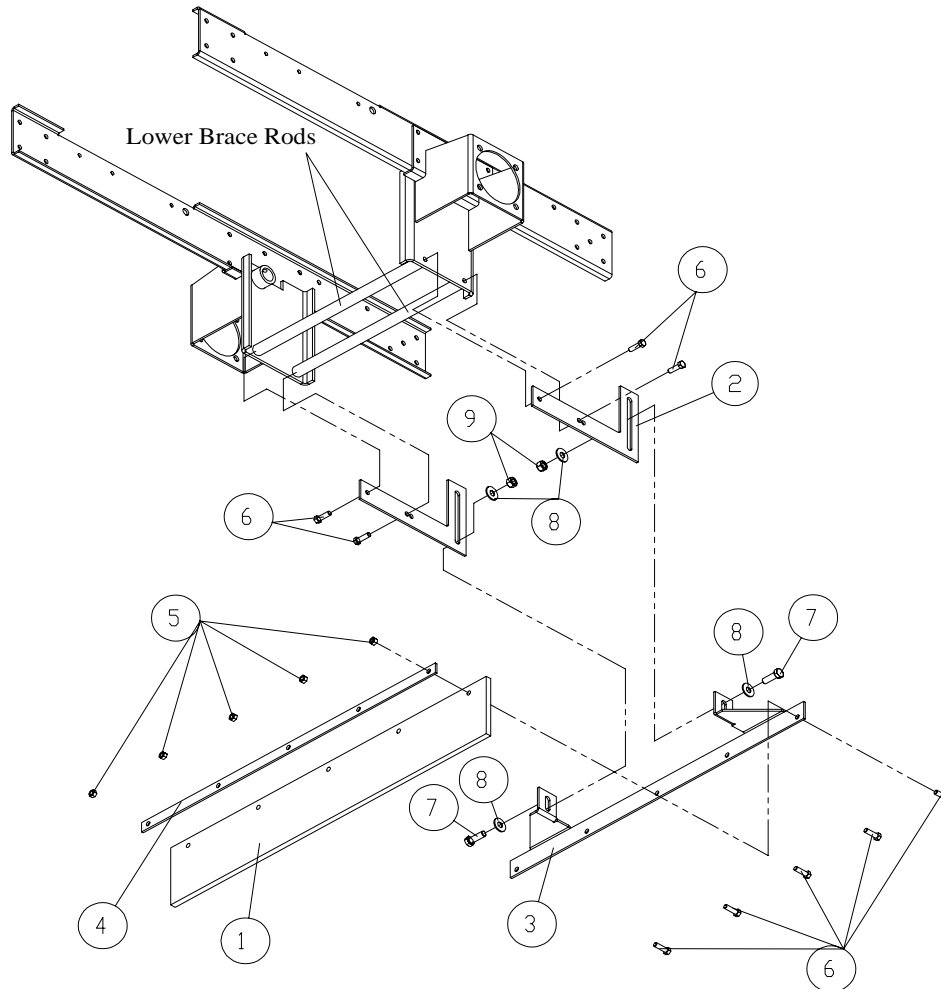


Details: Begin by removing the bolts that fasten the lower brace rods to the wheelmotor mount. Using the 3/8x1-1/4 HHCS, attach a grass striper mount (item # 2) to the wheelmotor mount making certain to re-fasten the lower brace rods at the same time. Assemble the grass striper flap to the striper backplate (# 4) and the striper frame (# 3) using the 3/8x1-1/4 HHCS. Then attach the assembly to the striper mounts using the 1/2x1-1/2 HHCS, 1/2 washers, and 1/2 nyloc nuts.



Item #	Part #	Description	Qty
1	593193	Grass Striper Flap	1
2	593196	Grass Striper Mount	2
3	593198	Grass Striper Frame	1
4	593200	Striper Backplate	1
5	104257	3/8-16 Nyloc Nut	5
6	100293	3/8 – 16 x 1 1/4 HHCS	9
7	100327	1/2-13 X 1-1/2 HHCS	2
8	105264	1/2 STD Flatwasher	4
9	104259	1/2-13 Nyloc Nut	2