



SERVICE BULLETIN

Date:

Number: SB9702

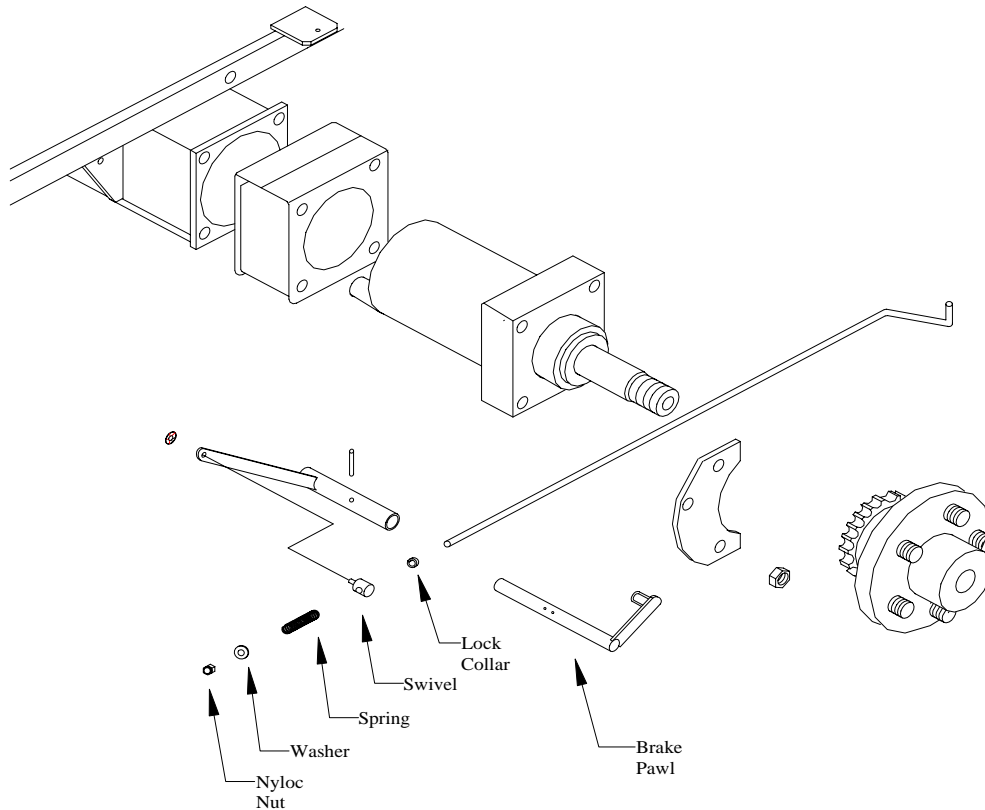
Subject: Encore Z42 & Z48 Brake Claw

Details:

In a continuing effort to improve Encore product, we have changed the style of the parking brake claw. This increases the engagement of the claw assy to the sprocket and reduces the amount of spring force to keep the brake engaged. Please add the following part #'s to your Parts Manuals:

Part #	Description	Part #	Description
422085	Kit for Z42	422082	RH brake claw for Z42
482040	Kit for Z48	422084	LH brake claw for Z42
		482037	RH brake claw for Z48
		482039	LH brake claw for Z48

Please note that when installing the new brake assy, you must back the locking nut for the spring tensioned on the brake so the nyloc just engages the threads on the rod. Please refer to drawing.



Thank you,
Encore Service Department