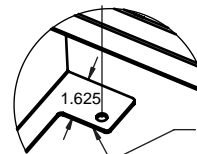
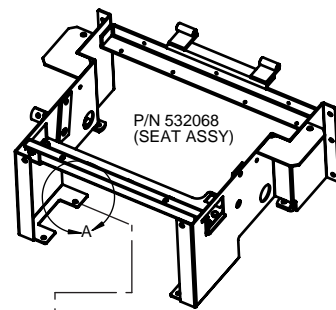


LH PUMP CHANGE TO 533144 FROM 533079



NOTE:
 TAB WILL INTERFERE WITH NEW PUMP PIN.
 TAB MUST BE CUT BACK OR EXISTING
 HOLE ENLARGED TO 1/2". ADDITIONAL
 11/32" HOLE MUST BE ADDED FOR
 5/16 X 1 MOUNTING BOLT.

NOTE:
 MUST ORDER
 QTY (1) 583241 (HOSE)
 QTY (1) 533144 (PUMP)
 QTY (2) 623463 (STRAIGHT ADAPTER)

ITEM NO.	PART NUMBER	DESCRIPTION	QTY.
1	533144	PUMP H3 w/RTN	1
2	453106	SWIVEL TEE	2
3	623463	ADPT, STR 9/16-18 TO #6M 6400-6-6	2
4	533011	ENGINE PLATE	1
5	453127	PUMP TO PUMP FEED LINE	1
6	533079	PUMP w/RTN - PARKER	1
7	453074	90° ADAPTER	2
8	583241	PUMP TO PUMP FEED LINE	1