



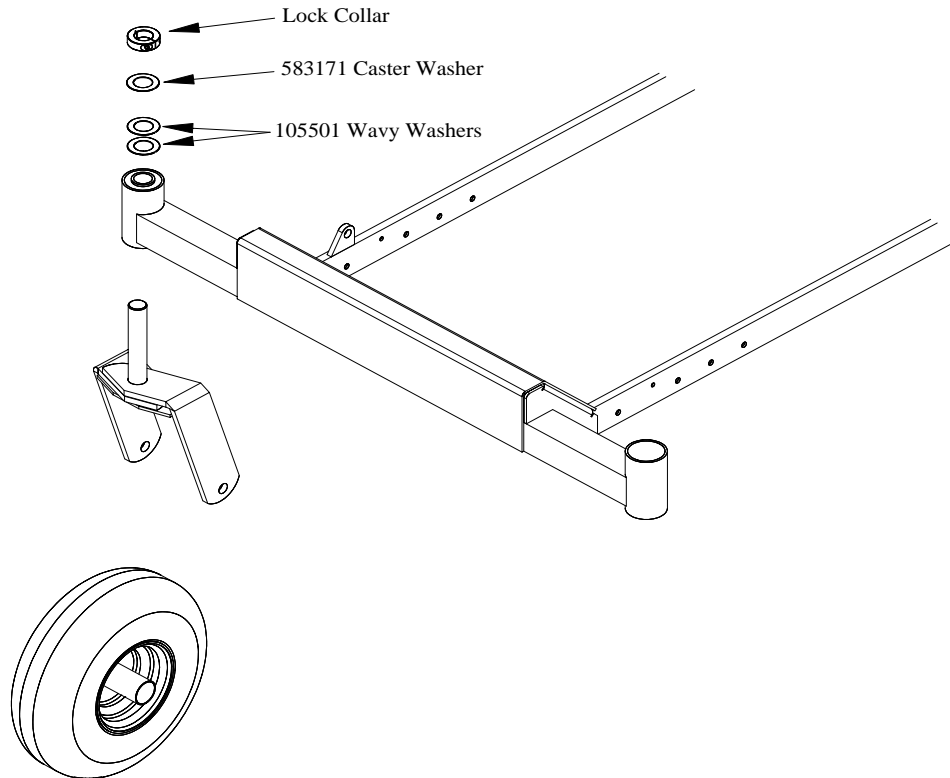
SERVICE BULLETIN

Date: 8/24/2005

Number: SB0507

Subject: Anti Swivel Front Casters on 52K23X

Details: The following components may be installed on any Encore 52K23X that is experiencing too much shimmying in the front casters while driving along a smooth level surface.



When installing the anti-shimmy components, begin by removing the Lock Collar. Install the two Wavy Washers followed by the Caster Washer. Replace the Lock Collar and apply pressure to the Lock Collar while tightening in order to compress the Wavy Washers.