



SERVICE BULLETIN

Date: 5/19/2004

Number: SB0404

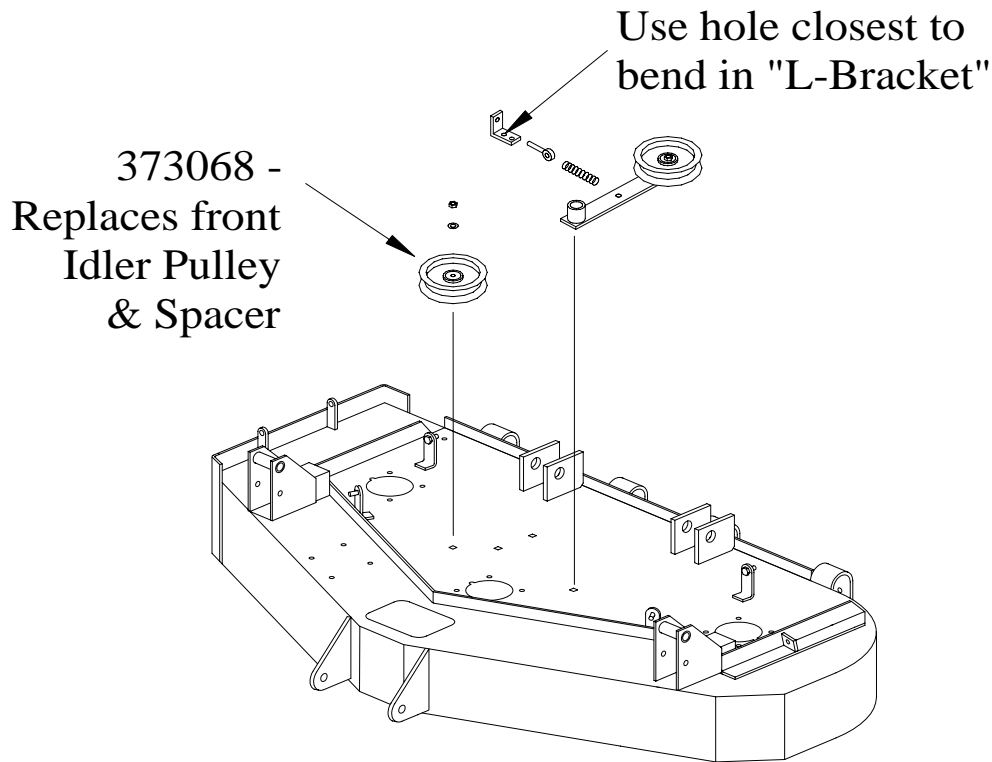
Subject: 72" Deck Idler Replacement

Details: It has been discovered on some 72" Prowler Midcuts that the tensioner pulley on the deck may come into contact with the frame rail when mowing in the upper cutting height settings.

This condition can be corrected by removing the existing front stationary idler (583162) and spacer (483017) and replacing them with an alternative idler pulley - part # 373068. You will re-use the existing bolt for fastening the replacement idler pulley (373068) to the deck.

By installing the replacement idler pulley, the distance of the belt route is shortened significantly. This will allow slack in the belt. Therefore, to remove the slack in the belt, the black "L-bracket" to which the tensioner spring and eye-bolt fasten to will need to be repositioned. As shown in the illustration below, turn the "L-bracket" 180 degrees and re-fasten to the deck using the hole in the "L-bracket" closest to the bend. Re-attach the tensioner spring and eye-bolt to the L-bracket.

This repair may be performed under warranty by ordering part # 373068 (qty 1) from your distributor. The labor allowance for this warranty procedure will be 1/2 hour.



Thank you,
Encore Service Department