



# SERVICE BULLETIN

**Date:** 3/23/2004

**Number:** SB0401

**Subject:** Replacement Starter Relay

---

---

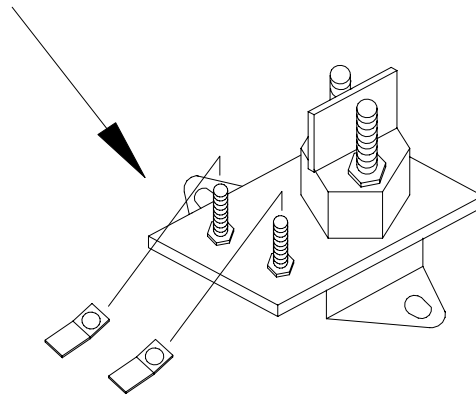
**Details:** The starter relay, part # 423017, has now been replaced by a new and improved waterproof relay. Please make the following changes in your system to note the new update:

Part # 423017- Starter Relay - is now replaced by **Part # 422150** - Starter Relay w/ Terminals.

The suggested retail price of the new replacement Starter Relay, Part # 422150, is \$20.70. The regular distributor discount will apply. The diagram below illustrates the assembly of the new relay with terminals.

## Part # 422150

### New Starter Relay with Terminals



Please make note of the above changes accordingly in your parts program. Also make note of the new part # in all illustrated parts manuals for your reference.

Thank you,  
Encore Service Department