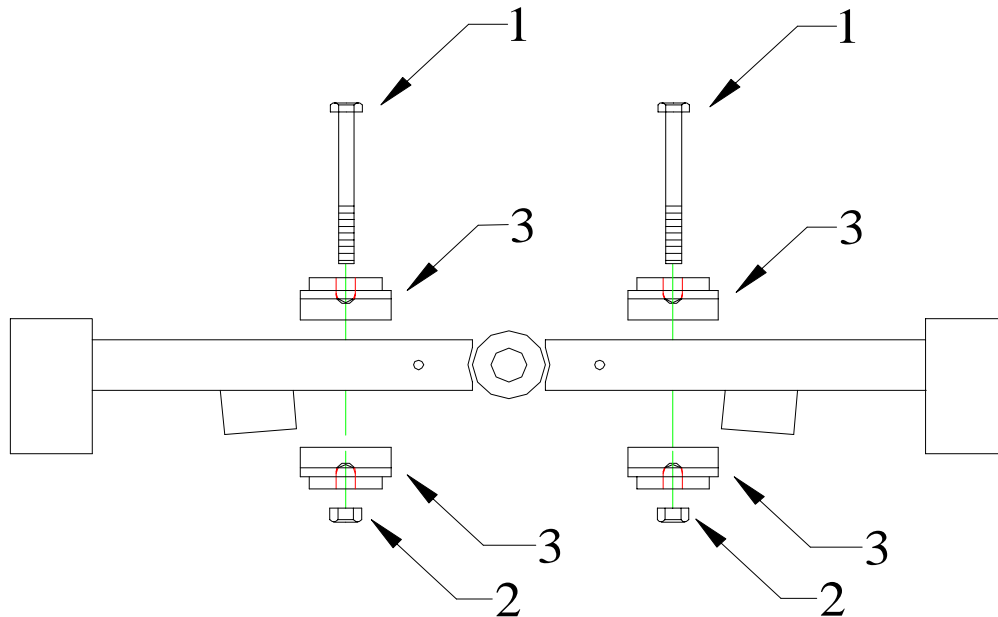


Rocker Stop Kit (part # 422095)

Installation Instructions



- 1) Remove all parts from bag.
 - 2) As shown in diagram, place two rocker stop wldmt's above and below the front axle.
 - 3) Bolt rocker stop wldmt's into place using the 1/2"x3 1/2" HHCS and 1/2" Nyloc Nuts.
- Note**** The HHCS will travel through the rocker stop wldmt's and between the front axle and frame.

Parts List

#	Part #	Qty	Description
1	100334	2	1/2-13x3 1/2 HHCS
2	104259	2	1/2-13 Nyloc Nut
3	422092	4	Rocker Stop Wldmt