



Prowler MC Wght Brkt Kit

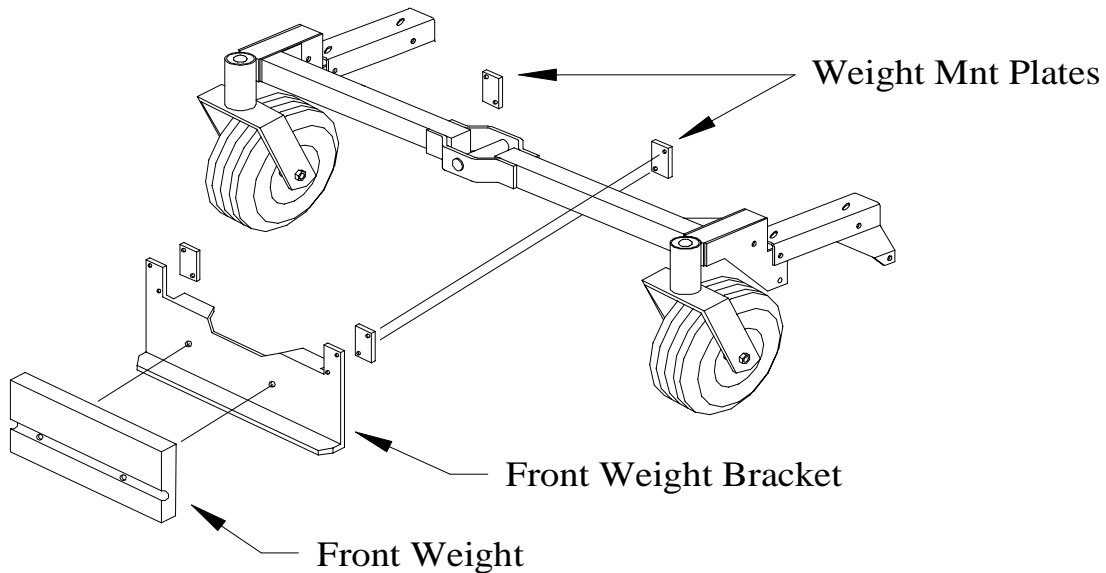
(part # 592058)

and

Weight Kit

(part # 821017)

Installation Instructions



- 1) Using the 3/8x3 1/2 HHCS, bolt together the Front Weight Bracket (part # 593119) and Weight Mount Plates (part # 523504) onto the front axle as shown in diagram.
- 2) Place Front Weight (part # 823281) onto Front Weight Bracket and secure into place using 1/2x4 HHCS, 1/2 Std Flat Washers, and 1/2 Nyloc Nuts.

Parts List for 592058 Bracket Kit

Part #	Qty	Description
523504	4	Weight Mnt Plate
593119	1	Front Weight Brckt
100302	4	3/8-16x3 1/2 HHCS
104257	4	3/8 Nyloc Nut

Parts List for 821017 Weight Kit

Part #	Qty	Description
823281	1	Weight
100335	2	1/2-13x4 HHCS
104259	2	1/2-13 Nyloc Nut
105264	6	1/2 Std Flat Washer