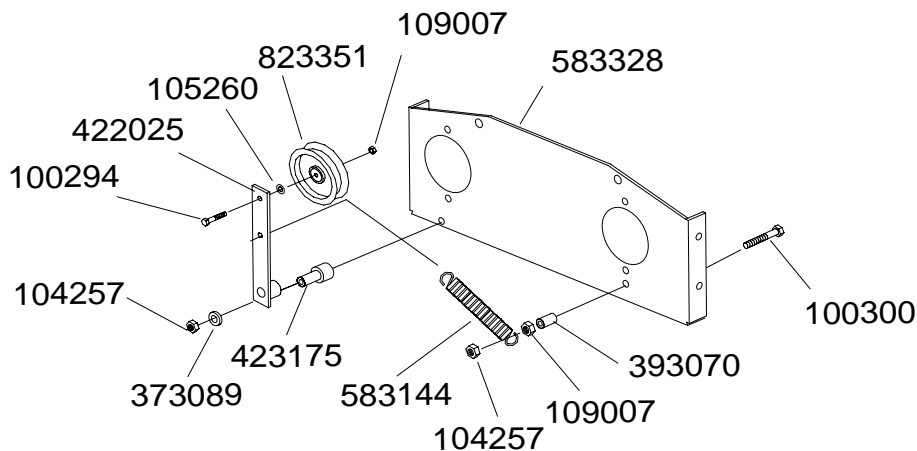


## Prowler Pump Belt Routing



Here is where the pump belt would travel up to and wrap around the engine pulley.

The tensioner pulley engages the backside of the belt and pulls diagonally downward to tension it.



PART #	DESCRIPTION	PART #	DESCRIPTION
100294	3/8"-16 X 1-1/2 HHCS	393070	IDLER SPACER
100300	3/8"-16 X 3 HHCS	422025	TENSIONER ARM W/ BUSHING (523111)
104257	3/8" NYLOC NUT	423175	PIVOT BUSHING
105260	3/8" FLAT WASHER	583144	SPRING
109007	3/8" WHIZLOCK NUT	583328	PUMP PLATE
373089	RETAINING WASHER	823351	TENSIONER PULLEY

**Details:** Bushing, part # 423175, and Retaining Washer, part # 373089, interchange positions depending on which engine is utilized. Diagram above depicts the assembly utilized for the 27hp Kaw liquid-cooled engine. The positions of the 423175 and 373089 would be interchanged if the 23, 25, or 28hp Kaw air-cooled engines were being employed.