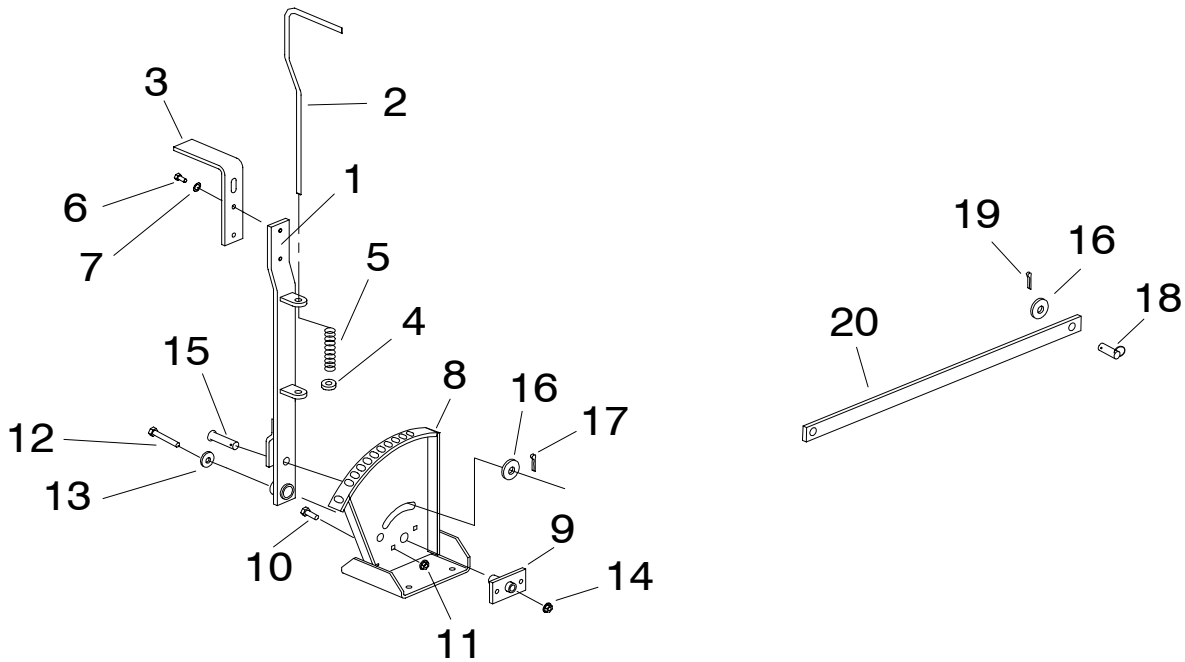




## Conversion to Manual Deck Lift for 72" Prowler Midcut

**Details:** When converting from an electric lift deck on a 72" Prowler Midcut to a manual lift system, you will need to obtain the components listed below and assemble as shown in the diagram.



ITEM #	PART #	QTY	DESCRIPTION
1	592038	1	DECK LIFT LEVER W/ BUSHING
2	593060	1	LIFT STOP ROD
3	822062	1	HANDLE W/ GRIP
4	823093	1	3/8" CLAMP COLLAR
5	523028	1	ASSIST SPRING
6	100252	2	1/4-20 X 3/4 HHCS
7	105004	2	1/4 LOCKWASHER
8	592030	1	DECK LIFT BRACKET
9	822132	1	DECK HEIGHT PIVOT
10	107502	2	1/4-20 X 3/4 CARRIAGE BOLT
11	104255	2	1/4 NYLOC NUT
12	100297	1	3/8 X 2-1/4 HHCS
13	373089	1	RETAINING WASHER
14	104257	1	3/8 NYLOC NUT
15	823210	1	1/2 X 2 CLEVIS PIN
16	105264	2	1/2 FLAT WASHER
17	106763	1	1/8 COTTER PIN
18	823209	1	1/2 X 1-1/2 RING PIN
19	106778	1	3/16 X 1-1/2 COTTER PIN
20	99-900	1	LIFT BAR WLDMT - 72"