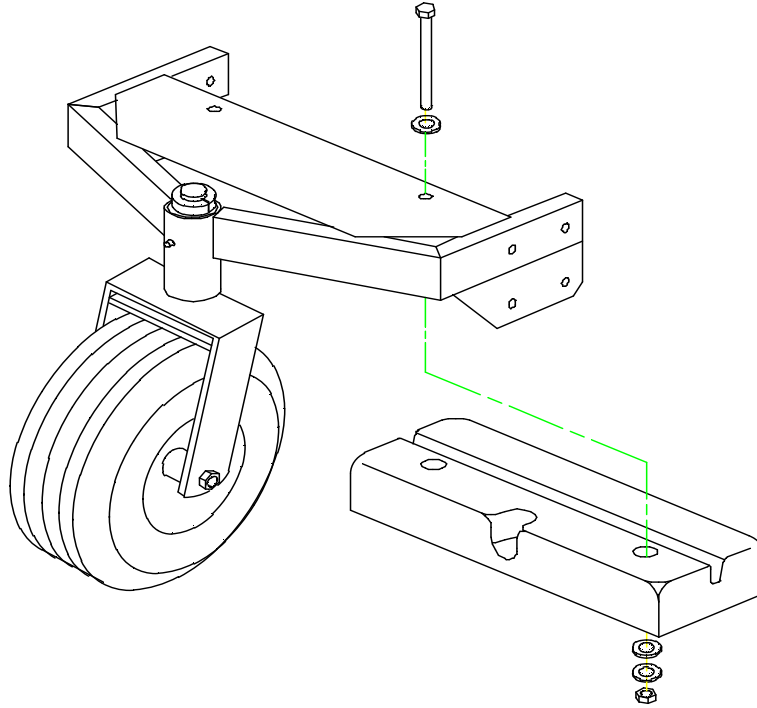




FC Rear Weight Kit (part # 821017)

Installation Instructions



- 1) Remove parts from box.
- 2) Place one 1/2" Flat Washer onto each 1/2"x4" HHCS.
- 3) Insert HHCS (threads down) into pre-existing holes located in the tailwheel plate.
- 4) Install rear weight (part # 823281) underneath tailwheel plate.
- 5) Secure rear weight using two 1/2" Flat Washers and one 1/2" Nyloc Nut on each HHCS.

Parts List

Qty	Part #	Description
1	823281	Rear Weight
2	100335	1/2-13x4 HHCS
2	104259	1/2-13 Nyloc Nut
6	105264	1/2 Std Flat Washer