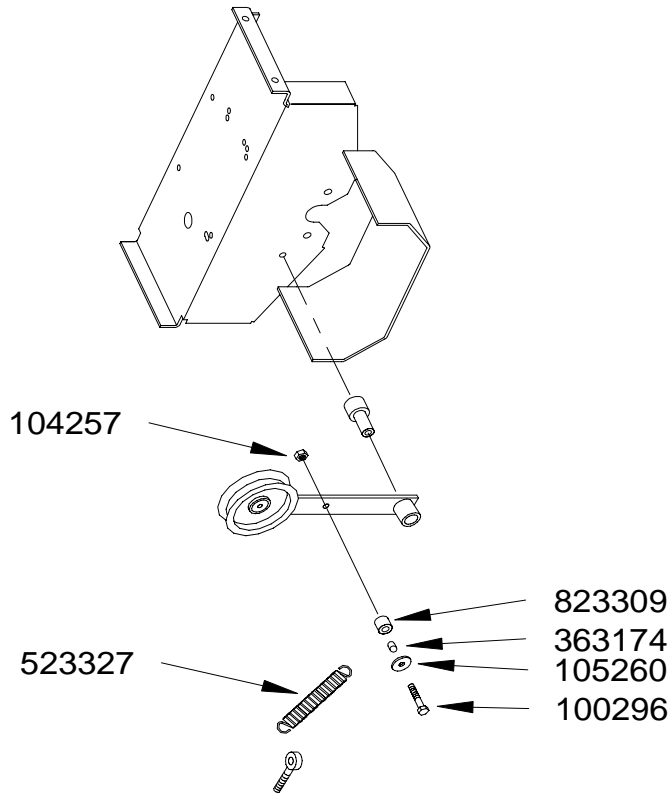




# Prowler Clutch Belt Tensioner

## Assembly Dgrm

**Details:** For increased tension on the clutch belt for Encore Prowler units, use the set up as shown below:



PART #	DESCRIPTION
104257	3/8 Nyloc Nut
523327	Spring
823309	Frame Spacer
363174	Eyebolt Spacer
105260	3/8 Flat Washer
100296	3/8-16 x 2" HHCS