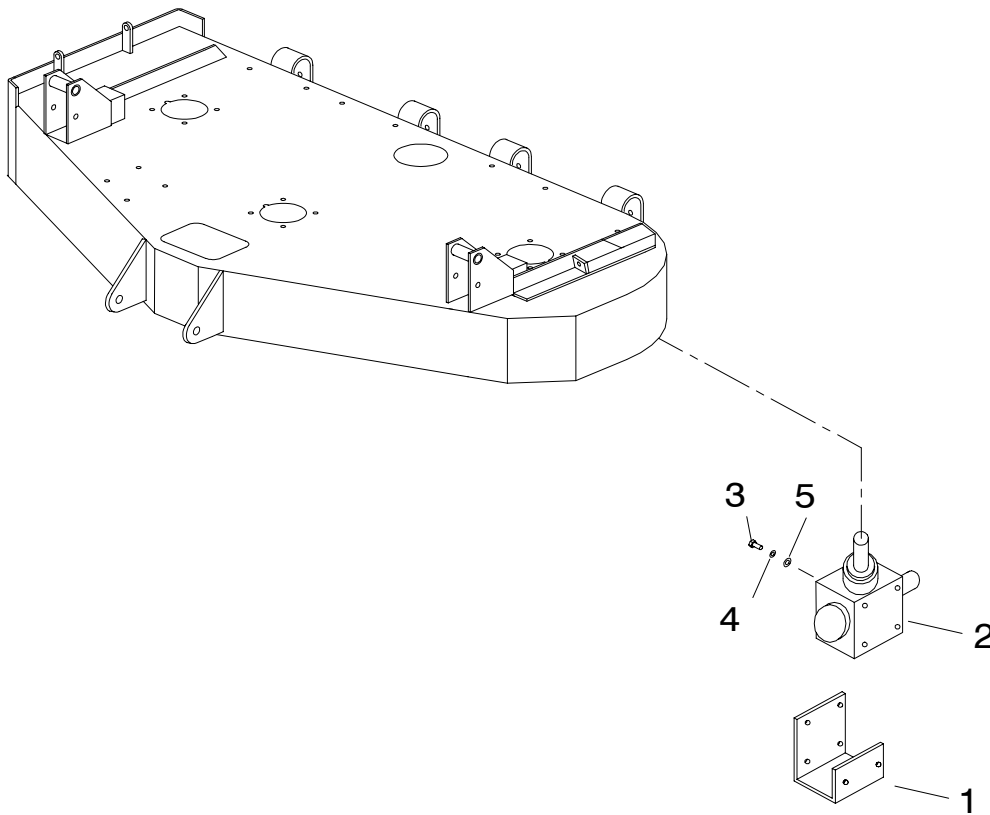




Prowler Gearbox & Truss

52" and 61" Decks

Details: The 52" & 61" Prowler Midcuts and Frontcuts are now utilizing a gearbox truss for added bracing and structural integrity to be installed with the gearbox used in the 52" & 61" cutting decks. It will be necessary to use a longer bolt length to correspond with the installation of the gearbox truss. The new bolt length will be 5/16x1-1/4" as shown in the diagram below.



Item #	Part #	Qty	Description
1	593096	1	Gearbox Truss
2	583087	1	Gearbox
3	100274	4	5/16 x 1-1/4" HHCS
4	105005	4	5/16" Lockwasher
5	105258	4	5/16" Std. Flatwasher