



ENCORE PROWLER

3-BAG GRASS CATCHER

ASSEMBLY AND PARTS DIAGRAMS

Prowler 3-Bag Grass Catcher consists of:

151024 - 61" Prowler Midcut (2 Boxes):

- 154030 Hood Assembly
- 154033 Blower Assembly
 - ** Drive Kit components included in Blower Assembly box**

151026 - 72" Prowler Midcut (2 Boxes):

- 154030 Hood Assembly
- 154035 Blower Assembly
 - ** Drive Kit components included in Blower Assembly box**

151024 - 61" Prowler Frontcut (3 Boxes):

- 154030 Hood Assembly
- 154033 Blower Assembly
 - ** Drive Kit components included in Blower Assembly box**

152077 3-Bag Frontcut Bracket Kit - **must be ordered separately in addition to 151024**

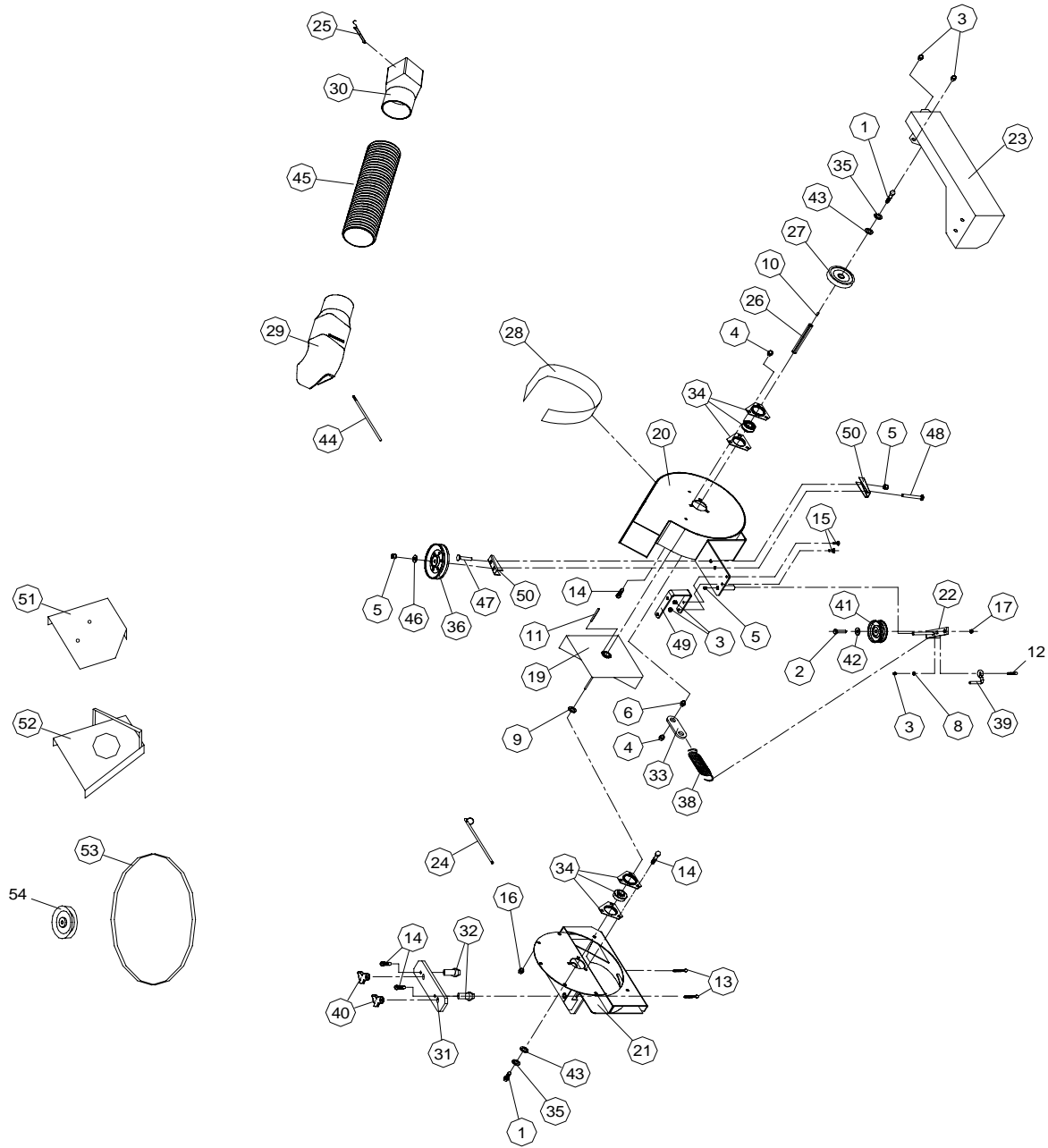
151026 - 72" Prowler Frontcut (3 Boxes):

- 154030 Hood Assembly
- 154035 Blower Assembly
 - ** Drive Kit components included in Blower Assembly box**

152077 3-Bag Frontcut Bracket Kit - **must be ordered separately in addition to 151026**

PROWLER MIDCUT 3-BAG GRASS CATCHER

BLOWER ASSY 154033 (61") & 154035 (72")

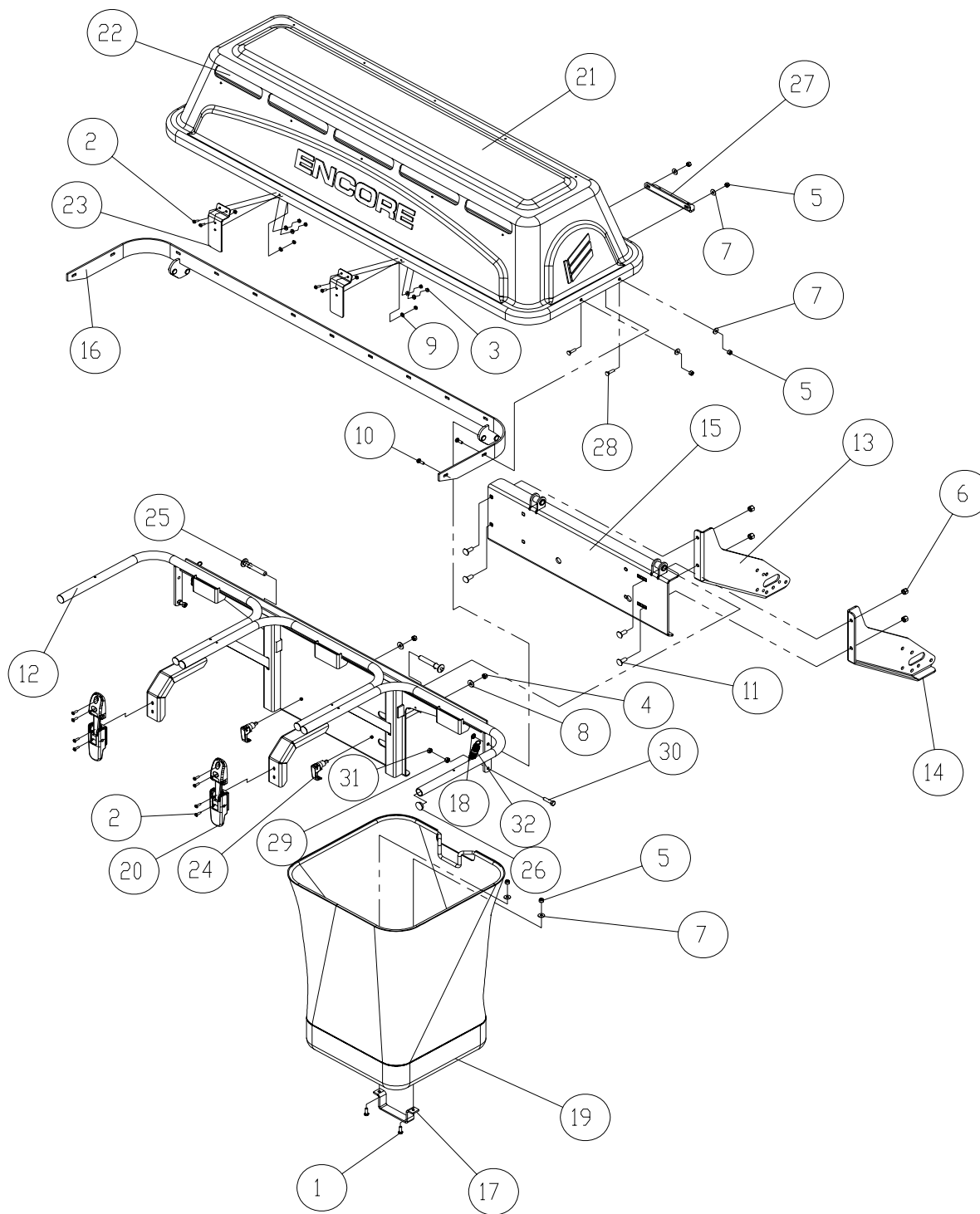


PROWLER MIDCUT 3-BAG GRASS CATCHER BLOWER ASSY 154033 (61") & 154035 (72")

#	PART NO.	QTY	DESCRIPTION
1	100273	2	5/16-18 X 1 HHCS
2	100294	1	3/8"-16 X 1 1/2" HEX BOLT
3	104255	10	1/4"-20 NYLOC NUT
4	104256	7	5/16-18 NYLOC NUT
5	104257	3	3/8"-16 NYLOC NUT
6	104751	1	5/16-18 JAM NUT
7	-----	--	-----
8	105256	3	1/4" FLAT WASHER
9	105269	1	3/4 SAE FLATWASHER
10	107253	1	3/16" X 3/16" X 1/2" KEY
11	107266	1	3/16 X 3/16 X 2 MACH. KEY
12	107510	1	1/4"-20 X 1" CARRIAGE BOLT
13	107520	2	5/16"-18 X 1 3/4" TAP BOLT
14	107522	8	5/16"-18 X 5/8" CARRIAGE BOLT
15	107502	2	1/4"-20 X 3/4" CARRIAGE BOLT
16	109001	4	5/16"-18 WHIZLOCK NUT
17	109007	2	3/8"-16 WHIZLOCK NUT
18	-----	--	-----
19	152016	1	IMPELLER
20	152020	1	HOUSING WELDMENT
21A	152050	1	61" PROWLER MOUNT WELDMENT
21B	152079	1	72" PROWLER MOUNT WELDMENT
22	152024	1	IDLER ARM
23	152054	1	BELT COVER
24	153262	1	BLOWER PIN
25	153050	1	BLOWER TIE DOWN
26	153066	1	DRIVE SHAFT
27	153072	1	PULLEY(DRIVEN)
28	153110	1	BLOWER LINER
29	153211	1	HOOD INLET ADPT.
30	153212	1	BLOWER HOSE ADPT.
31	153133	1	ADAPTER STRAP
32	153135	2	ADAPTER RAM
33	153138	1	SPRING MOUNT
34	153216	2	TRIANGLE FLANGE BEARING
35	363226	2	5/16 DISC SPRING WASHER
36	483025	1	IDLER PULLEY
37	-----	--	-----
38	523327	1	SPRING
39	553025	1	BELT GUIDE
40	753028	2	KNOB
41	823351	1	DRIVE IDLER
42	105259	1	3/8 SAE FLATWASHER
43	105258	2	5/16 STD FLATWASHER
44	153048	2	GRASS TUBE CLAMP
45	153217	1	GRASS TUBE 6"
46	105260	1	3/8" STANDARD FLAT WASHER
47	107501	1	3/8"-16 X 2" CARRIAGE BOLT
48	107513	1	3/8"-16 X 3" CARRIAGE BOLT
49	153208	1	BELT SHIELD STRAP
50	153192	2	IDLER ANGLE
51	153214	1	DRIVE PULLEY GUARD-MC
52A	592054	1	61" BELT COVER - MC/GC
52B	592119	1	72" BELT COVER - MC/GC
53A	153158	1	DRIVE BELT (A79) - 61" PROWLER
53B	153271	1	DRIVE BELT (A89) - 72" PROWLER
54A	153215	1	61" PROWLER DRIVE PULLEY
54B	153269	1	72" PROWLER DRIVE PULLEY

PROWLER MIDCUT 3-BAG GRASS CATCHER

HOOD ASSY 154030



PROWLER MIDCUT 3-BAG GRASS CATCHER

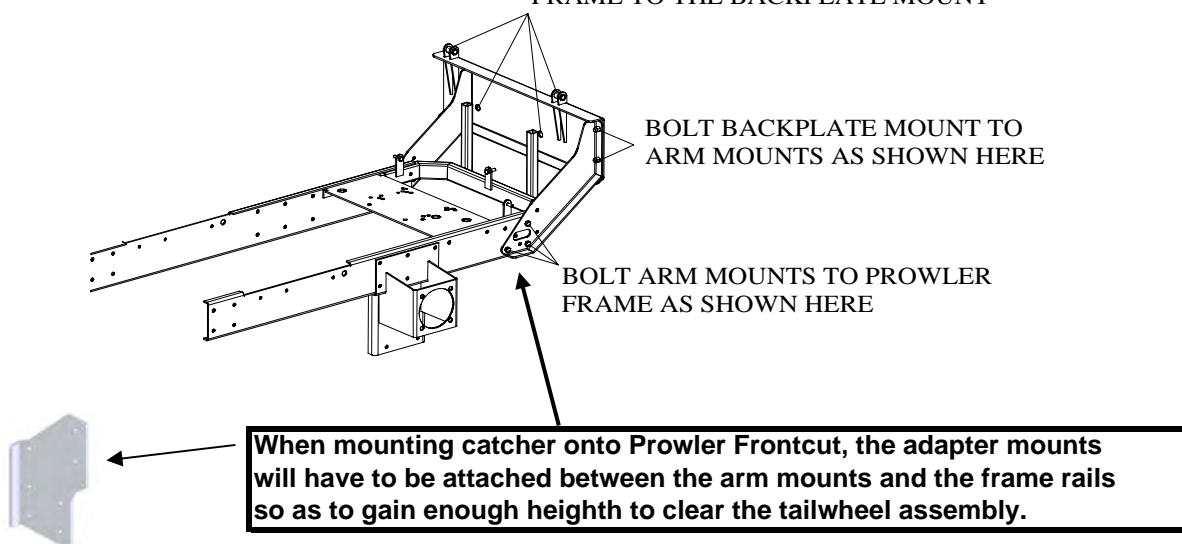
HOOD ASSY 154030

#	PART NO.	QTY.	DESCRIPTION
1	100252	6	1/4-20 X 3/4 HHCS
2	101039	12	#10-24 X 5/8 PAN HD. SCREW
3	104252	12	#10 NYLOCK NUT
4	104253	2	5/16-24 NYLOC NUT
5	104255	19	1/4-20 NYLOC NUT
6	104257	4	3/8-16 NYLOCK NUT
7	105256	19	1/4 STD FLAT WASHER
8	105257	2	5/16 SAE FLATWASHER
9	105507	6	3/16 POP RIVET BURR
10	107502	9	1/4-20 x 3/4 CARR. BOLT
11	107526	4	1/4-20 X 3/4" CARR BOLT
12	152068	1	3 BAG FRAME W/LATCH
13	152070	1	LEFT ARM MOUNT
14	152072	1	RIGHT ARM MOUNT
15	152074	1	BACK PLATE MOUNT
16	152076	1	3 BAG HOOD STRAP
17	153003	3	BAG HANDLE
18	153045	2	5/16 PUSH NUT
19	153171	3	SEWN BAG W/ FRAME
20	153218	2	HOOD LATCH
21	153241	1	3 BAG HOOD
22	153253	1	3 BAG HOOD SCREEN
23	153255	2	3 BAG UPPER LATCH MNT.
24	153259	2	SWELL LATCH
25	424050	2	DECK HEIGHT PIN ASSY
26	523033	6	HANDLE PLUG
27	153268	2	3 BAG SPRING MOUNT
28	107510	4	1/4-20 x 1 CARRIAGE BOLT
29	109001	2	5/16-18 WHIZLOCK NUT
30	100274	2	5/16-18 X 1-1/4 HHCS
31	104256	2	5/16-18 NYLOCK
32	553007	2	IDLER SPRING

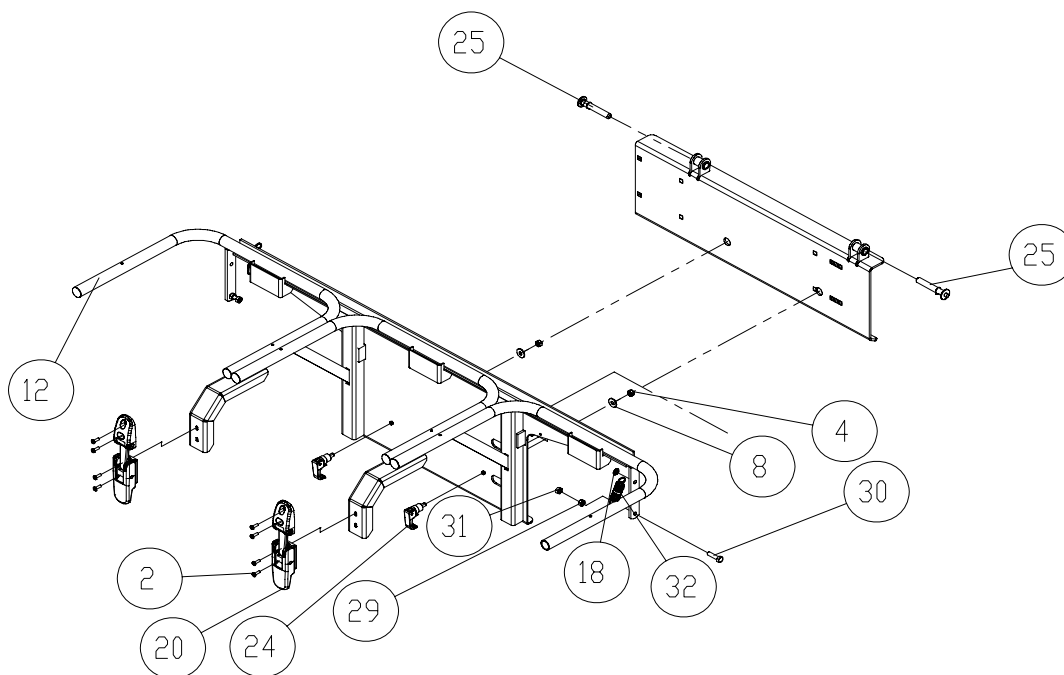
MOUNTING INSTRUCTIONS - PROWLER

3-BAG HOOD ASSEMBLY

USING THE DECK HEIGHT PIN ASSEMBLIES AND SWELL LATCHES, ATTACH THE 3-BAG FRAME TO THE BACKPLATE MOUNT



NOTE: TO IDENTIFY COMPONENTS IN DIAGRAM BELOW, REFER TO THE HOOD ASSEMBLY IN THE PARTS LIST.

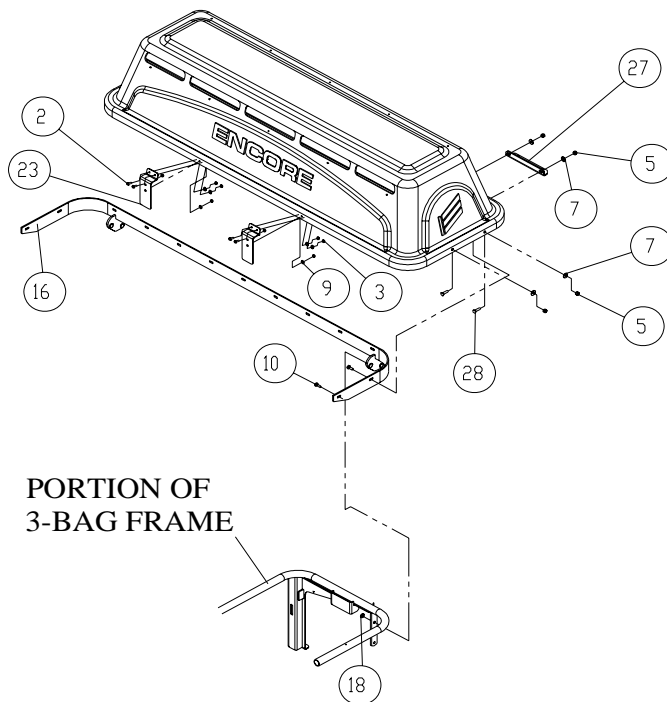


BOLT THE 3-BAG FRAME TO THE BACKPLATE MOUNT USING THE DECK HEIGHT PINS (#25) AND SWELL LATCHES (#24).

MOUNTING INSTRUCTIONS - PROWLER

3-BAG HOOD ASSEMBLY

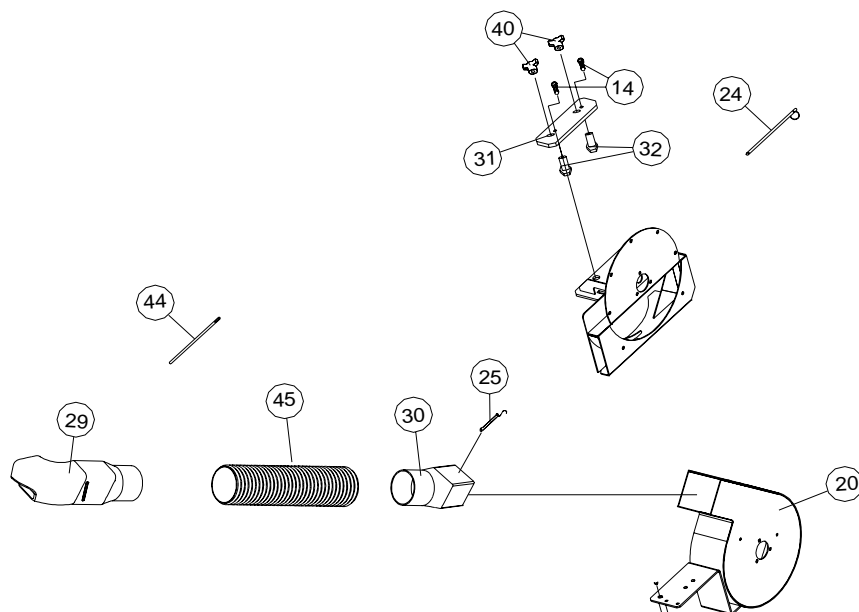
NOTE: TO IDENTIFY COMPONENTS IN DIAGRAM BELOW, REFER TO THE HOOD ASSEMBLY IN THE PARTS LIST.



MOUNTING INSTRUCTIONS - PROWLER

3-BAG BLOWER ASSEMBLY

NOTE: TO IDENTIFY COMPONENTS IN DIAGRAM BELOW, REFER TO THE BLOWER ASSEMBLY IN THE PARTS LIST.

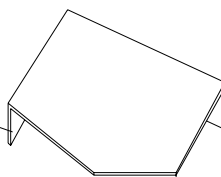


USING THE MOUNTING TABS AT THE DISCHARGE OPENING OF THE DECK, MOUNT THE BLOWER ASSY TO THE DECK BY SLIPPING THE MOUNTING TABS INTO THE SLOTS FOUND ON BLOWER MNT WLDMT. SECURE IN PLACE USING RING PIN (#24). TIGHTEN DOWN KNOBS (#40) UNTIL ADAPTER RAMS (#32) ARE TIGHT AGAINST THE DECK. FASTEN THE GRASS TUBE (#45) TO THE HOSE ADAPTERS (#29 & #30) USING GRASS TUBE CLAMPS (#44). ATTACH BLOWER TIE DOWN (#25) TO BLOWER HOSE ADAPTER (#30) USING HARDWARE FROM BOLT BAG.

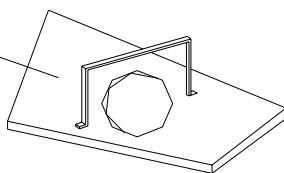
MOUNTING INSTRUCTIONS - PROWLER

3-BAG BLOWER ASSEMBLY

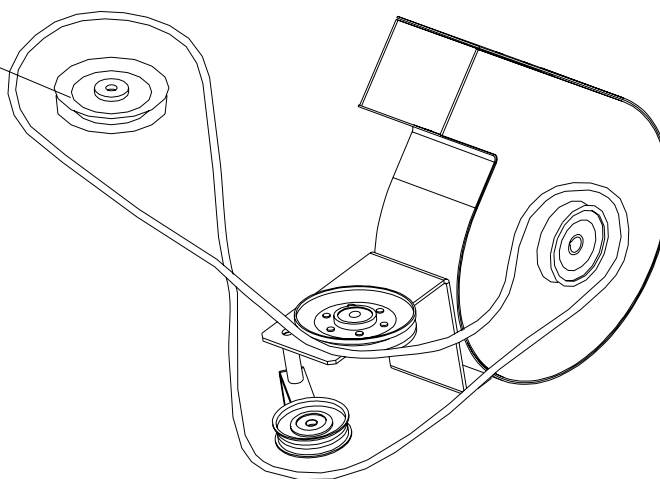
DRIVE PULLEY GUARD



RH BELT SHIELD



DRIVE PULLEY ON
RH DECK SPINDLE



Before routing the blower drive belt, install the replacement deck belt shield that was included in your grass catcher kit.

Route the blower drive belt so that the "V" side of the belt rides in the "V" groove of the drive pulley mounted on the RH blade spindle, the driven pulley mounted on the outside of the blower, and the stationary idler pulley bolted to the blower. The "flat" side of the drive belt should ride against the flat groove found on the spring tensioner pulley. Refer to diagram above for illustration of belt routing.

After routing the blower drive belt, be certain to install the drive pulley guard onto the bracket welded to the deck belt shield.

NOTES:

NOTES:



ENCORE
POWER EQUIPMENT