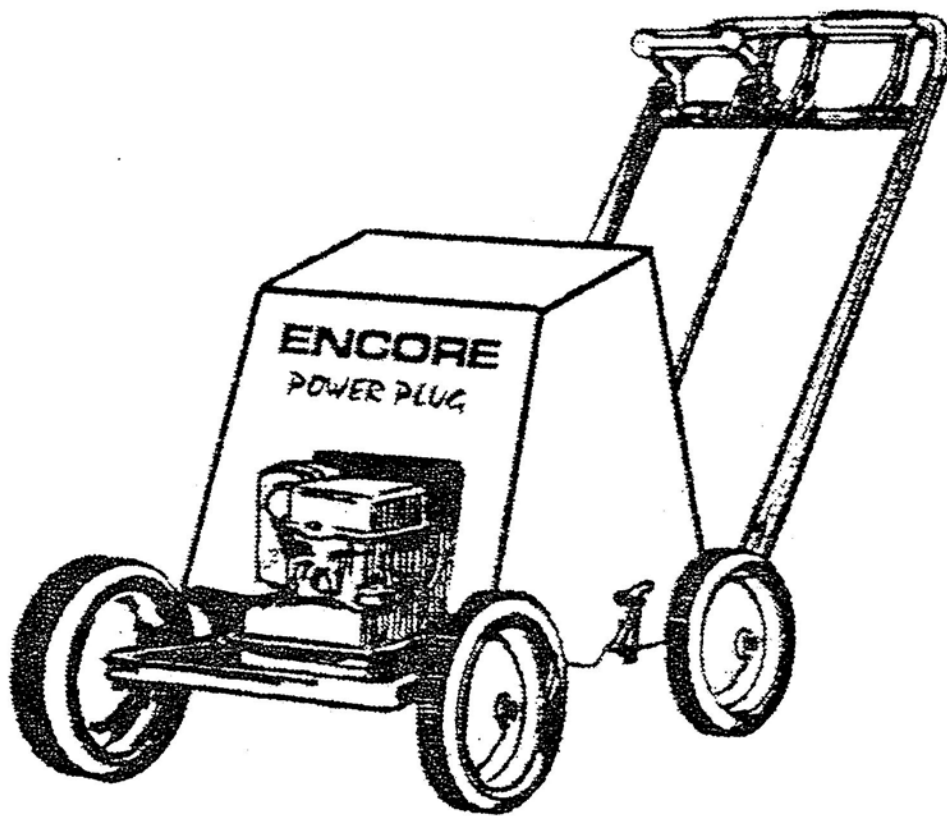


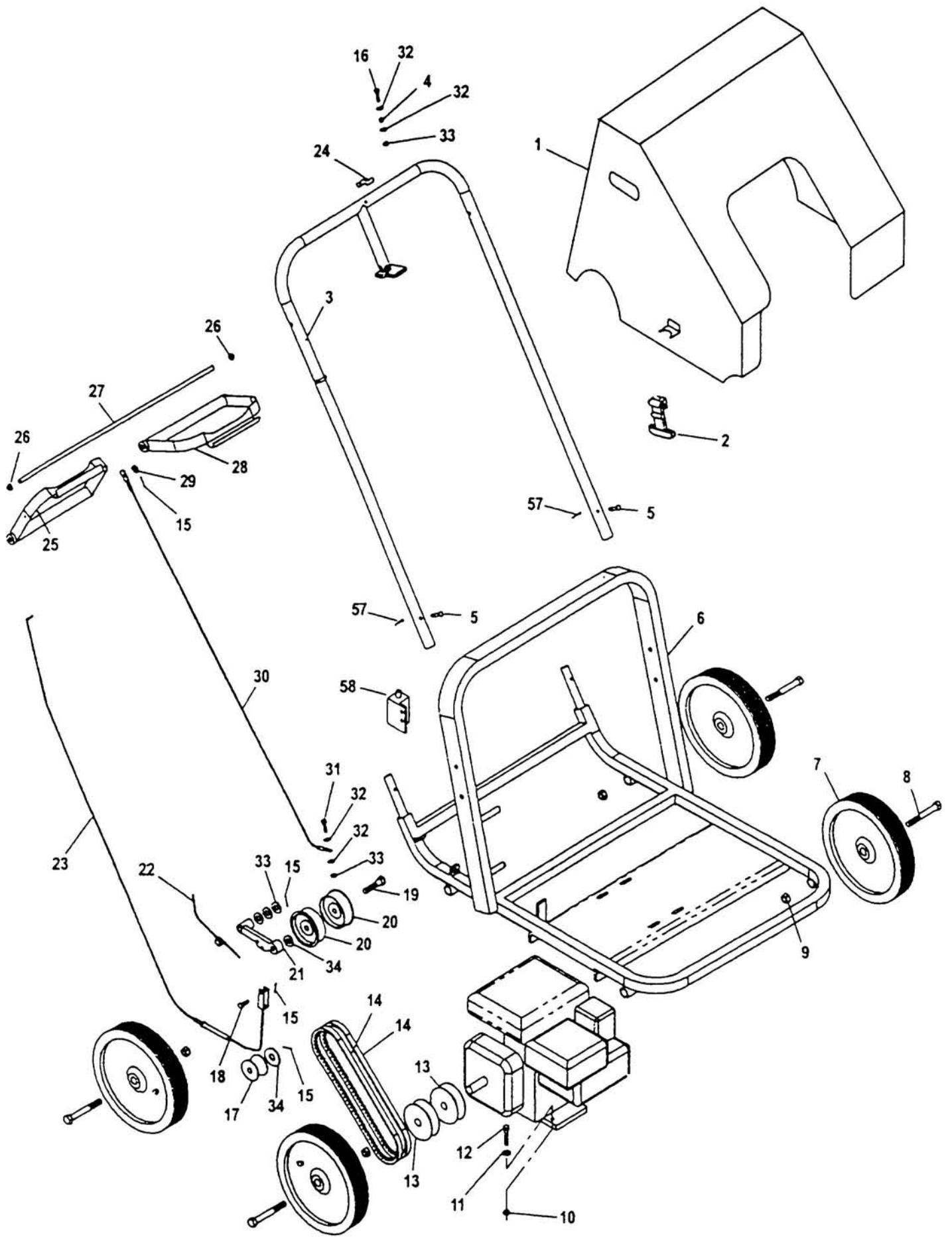
# POWER-PLUG AERATOR

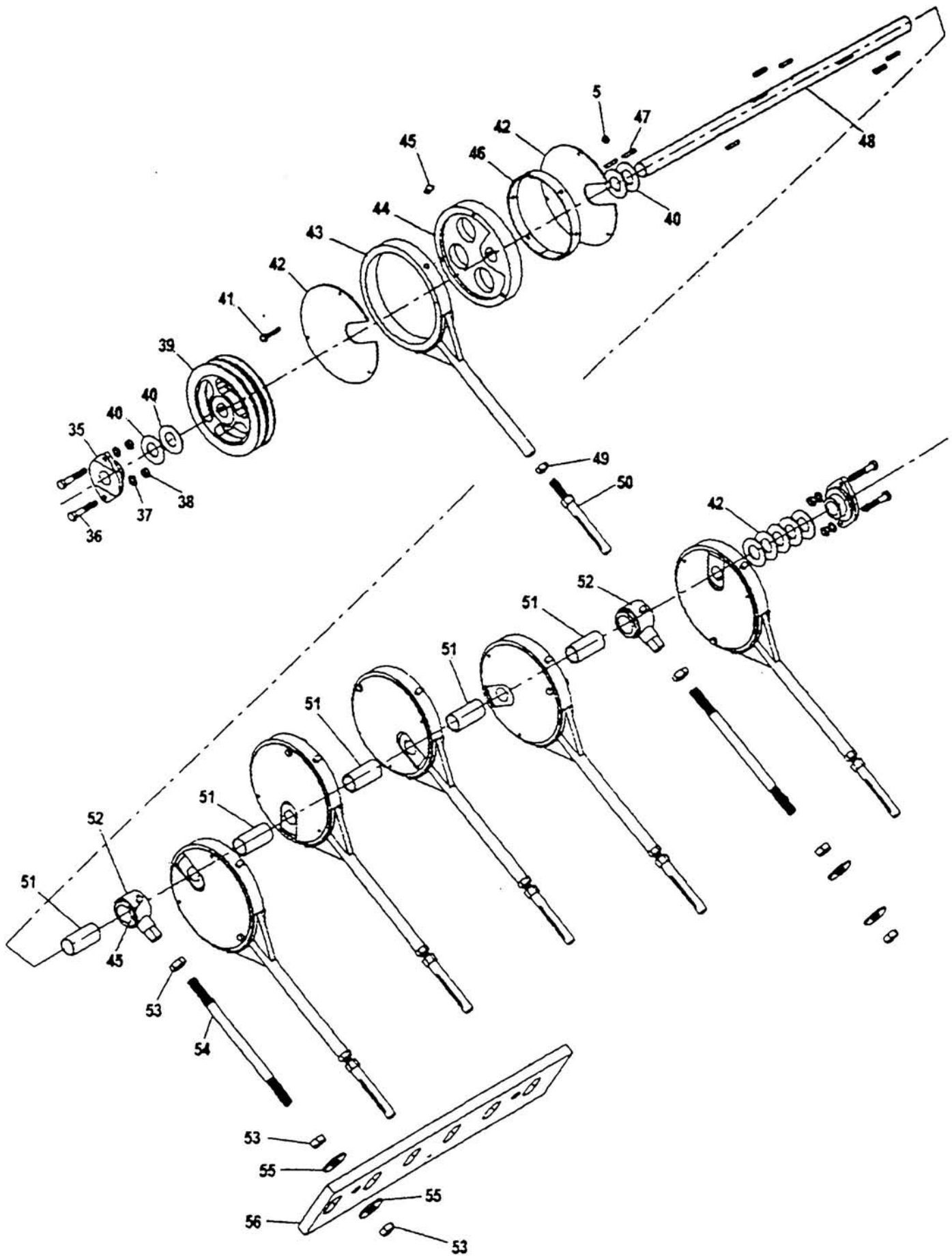


***Parts List***



**ENCORE**  
POWER EQUIPMENT



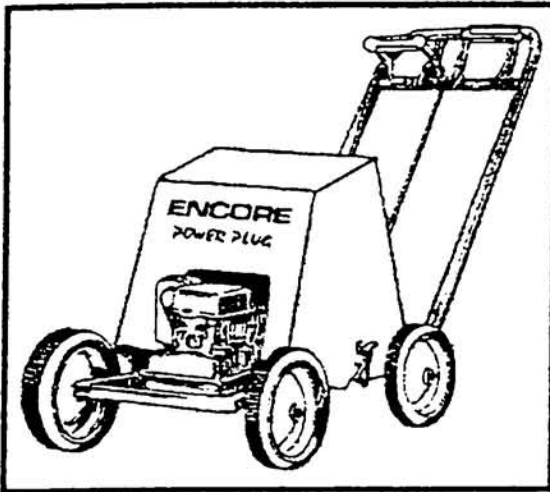


ITEM #	PART #	DESCRIPTION	ITEM #	PART #	DESCRIPTION
1	253110	One Piece Cover	30	253139	Control Cable Assembly
2	253111	Rubber Latch	31	100256	Hex Bolt 1/4"-20 UNC x 1 1/2"
3	253112	Handle	32	105256	Flat Washer 1/4"
4	253113	1/2" Spring	33	104255	Nyloc Nut 1/4"-20 UNC
5	253114	Clevis Pin 3/16" x 1 1/4"	34	253143	Machine Bushing
6	253115	Frame w/o Handle	35	253144	Cartridge Bearing
7	253116	Wheel w/Grease Fitting	36	100297	Hex Bolt 3/6"-16 UNC x 2 1/4"
8	100335	Hex Bolt 1/2"-13 UNC x 4"	37	105260	Flat Washer 3/8"
9	104259	Nyloc Nut 1/2"-13 UNC	38	104257	Nyloc Nut 3/6"-16 UNC
10	104256	Nyloc Nut 5/16"-18 UNC	39	253148	Crankshaft Pulley
11	105258	Flat Washer 5/16"	40	253149	Spacer Washer
12	100276	Hex Bolt 5/16"-18 UNC x 1 3/4"	41	100256	Hex Bolt 1/4"-20 UNC x 1 1/2"
13	253122	Engine Pulley	42	253151	Cam Alignment Plate
14	253123	V-Belt Cogged	43	253152	Tine Casting
15	253124	Cotter Pin 1/16" x 3/4"	44	253153	Cam Machined
16	100257	Hex Bolt 1/4"-20 x 1 3/4"	45	111001	Grease Fitting
17	253126	Cable Pulley	46	253155	Cam Bearing
18	253127	Clevis Pin 1/4" x 3/4"	47	253156	Woodruff Key
19	100331	Hex Bolt 1/2"-13 UNC x 2 1/2"	48	253157	Drive Shaft
20	253129	Clutch Pulley	49	104757	Hex Jam Nut 5/8"-11 UNC
21	253130	Clutch Bracket Idler	50	253159	Tine
22	253131	Torsion Spring	51	253160	Spacer Long
23	253132	Clutch Cable Assembly	52	253161	Hanger Rod Bearing w/Bushing
24	253133	Handle Lock Cam	53	104756	Hex Jam Nut 5/8"-18 UNC
25	253134	Control Handle Right	54	253163	Hanger Rod
26	253135	Retainer Cap	55	105268	Flat Washer 5/8"
27	253136	Pivot Rod	56	253163	Retractor Plate
28	253137	Control Handle Left	57	253166	Hair Pin
29	105255	Flat Washer #10	58	253162	Cover Switch

# POWER-PLUG AERATOR

**Model PL600B w/5.5 H.P. Briggs & Stratton Engine**

## Assembly Instructions



**Handle:** Slide the handle onto the frame pegs. The control levers should be facing up. Insert The (2) 1/4" bolts and fasten with the (2) 1/4" Locknuts or the hardware that is provided.

**Retractor Cable:** Solid wire cable with identical ends attaches to black retractor plate with 1/4"-20 x 1 1/2" bolt and lock nut. This is installed at the factory. The other end is placed on the left side handle lever. Remove washer and cotter key. Install cable and place washer and cotter key back in position. Be sure to spread cotter key.

**Clutch Cable:** This is the black cable with the spring on the end. Pulling up on the rubber boot exposes a wire cable, holding the boot, loosen nut and washer, push cable through the slot on the handle bracket. Pull threaded shaft up through the bracket, then place spring end up to the first bend into the bottom small hole on the control lever. Place washer and tighten top nut on the threaded shaft.

**Engine:** Fill engine with oil and gasoline per engine manufacturer's instructions. Please call the Engine manufacturer at the phone number listed in the engine instructions, if there are any doubts Regarding the engine.

**NOTE: GASOLINE CAN BE HAZARDOUS. HANDLE GASOLINE CAREFULLY AT ALL TIMES!**

**Operators Manual**



**ENCORE**  
POWER EQUIPMENT

**YOUR AERATOR IS ONLY AS SAFE AS THE OPERATOR:** Operator neglect or abuse may result in serious bodily injury. Improper maintenance of the machine may also result in injury. Please read and follow these instructions on safe operation and be certain that anyone using this aerator fully understands and follows these instructions.

## Safety Instructions

1. Familiarize yourself with the controls and know how to stop this aerator.
2. Do not allow children to operate this machine. Do not allow adults to operate the aerator without proper instructions.
3. Inspect your work area carefully. Keep all by-standers away from the area to be aerated. Flag sprinkler heads, hydrants, covers, etc. Walk the entire area before aerating, for possible holes.
4. Avoid contact with moving parts. Keep hands and feet clear of the aerator deck and all moving parts.
5. Never tamper with safety devices or guards. If a guard or safety device is damaged or removed, replace it before operating the aerator.
6. Handle gasoline carefully; use an approved gasoline container; fill the fuel tank to within 1" from the neck with good quality leaded or unleaded gasoline; never add fuel to the tank while the engine is running or hot; never fill the fuel tank indoors; wipe up spilled gasoline. Gasoline is highly flammable –**NO SMOKING!**
7. Operator must wear proper shoes and clothing which may also include safety glasses and ear protection.
8. Aerate only during daylight hours or under very good artificial light.
9. Do not aerate close to drop-offs, deep ditches or other hazards.
10. Do not leave the operator position unless engine has been killed and blades have stopped.
11. If a solid object has been hit by the tines, stop the machine and check for damage. Repair or replace damaged/broken part prior to restarting the engine.
12. To avoid burns, **Do Not Touch** the engine or muffler immediately after operation.

## Operating Instructions

**Left Lever:** This lever swings the plunger mechanism forward into the operating position. Move it forward to release. It will automatically pull itself into position when you engage the right clutch lever.

**Right Lever:** This lever engages the drive belt clutch. Pull it back into position. This lever has to be held down for clutch engagement. When released, forward motion will stop. **This is a safety feature!**

**Movement:** Release the left lever and move forward. Pull the right lever back and hold down. Do not push machine while operating. The holes will be deeper if you allow the aerator to pull.

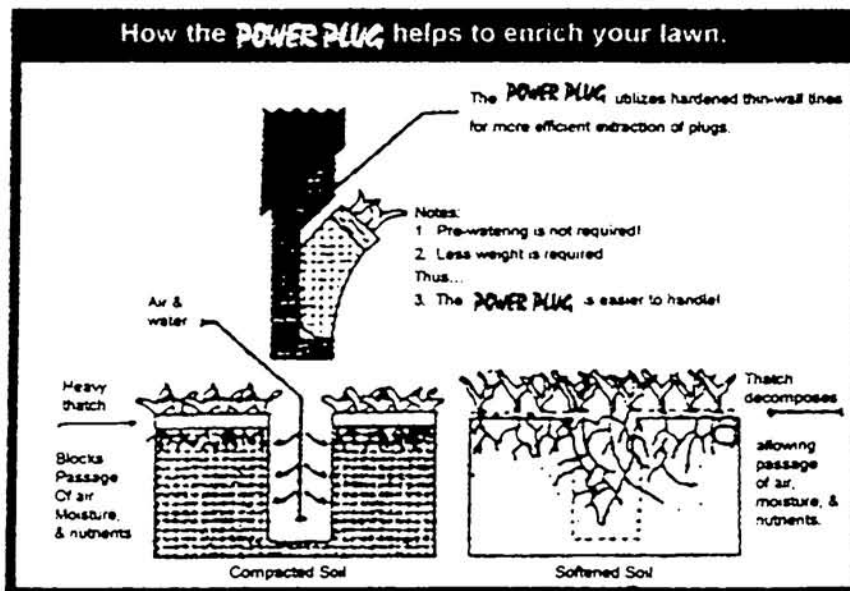
**Stopping:** To stop the aerator, release the right lever and move forward. Pull the left lever back and hold down. **Shut off the engine if not continuing!**

## Specifications

Machine Width	30"
Aeration Width	23"
Hole Centers	4"
Hole Depth	2"
Holes Per Sq.Ft.	9 Approx.
Plug Diameter	5/8"
Sq.Ft. Per Hour	15,000
Shipping Weight	225 lbs.
Ball Bearing Wheel	10"
Belt Drive Clutch	V-type
Nylatron Bearing Cam Actions	

## Maintenance Instructions

- **Cam Bearing:** Grease cams, on the zerks provided, every (10) hours of operation.
- **Shaft Bearings:** Grease both crank shaft ball bearings on the zerks provided, every (100) hours of operation.
- **Wheel Bearings:** Grease wheel ball bearings on the zerks provided, every (100) hours of operation.
- **Engine Oil & Filter:** For complete maintenance and operating information for your engine, please refer to your engine operating and maintenance manual provided by the engine manufacturer.
- **V-Belt:** Adjust the clutch cable at the bracket on the handle by moving the two jam nuts. Be sure to retighten jam nuts. Do not overtighten V-belt. This puts a load on the engine gearbox bearings. The belt is tight enough when it does not slip in operation.
- **Tines:** These are adjustable by only the thickness of the jam nut, approximately 1/4" and the openings should face the rear of the aerator. They are replaceable by loosening the jam lock nut and unscrewing the tine. All threads are right hand. Install the tine with the jam lock nut on the tine and use maximum threads inserted into the plunger casting. Tighten jam lock nut against the plunger casting.
- **Safety Decals:** In order to promote safe operation of your aerator, Encore Mfg. Co., Inc. Supplies safety decals on all products manufactured. Because damage can occur to safety decals through shipment, use or reconditioning, etc. Encore will, upon request, provide safety decals for any of our products in the field at No Charge. Contact your authorized Encore dealer for more information.
- **KEEP HANDS AND FEET AWAY FROM OPERATING PARTS!**



## Encore Warranty Policy

This warranty extends to the original retail purchaser only and commences on the date of original retail purchase. Any part of the Encore Power-Plug manufactured by Encore Mfg. CO., Inc. and found in the reasonable judgment of Encore Mfg. Co., Inc. to be defective in material or workmanship, will be repaired or replaced by an authorized Encore Mfg. Co., Inc. dealer without charge for parts or labor. The Encore Power-Plug including any defective part, must be returned to an authorized Encore service dealer within the warranty period. The expense of delivering the unit to the dealer for warranty work and the expense of returning it back to the owner after repair or replacement will be paid for by the owner. Encore Mfg. Co., Inc.'s responsibility in respect to claim is limited to making the required repairs or replacements, and no claim of breach of warranty shall be cause for cancellation or rescission of the contract of sale for any Encore product. Proof of purchase will be required by the dealer to substantiate any warranty claim. All warranty work must be performed by an authorized Encore service dealer. This warranty is limited to two years from the date of original retail purchase for any Encore Power-Plug that is used for commercial purposes or 90 days for rental. This warranty does not cover any Encore Power-Plug that has been subject to misuse, neglect, negligence, accident or that has been operated in any way contrary to the operating instructions as specified in the operator's manual. The warranty does not apply to any damage to

the Power-Plug that has been altered or modified so as to adversely affect the intended use of the product, its operation, performance or durability. In addition, the warranty does not cover the engine, which is warranted separately by the engine manufacturer and for a different period of time. Encore Mfg. Co., Inc. reserves the right to change or improve the design of any Power-Plug without assuming any obligation to modify any Power-Plug previously manufactured. Encore Mfg. Co., Inc.'s obligation under the warranty is strictly and exclusively limited to the repair or replacement of defective parts. Encore Mfg. Co., Inc. does not assume or authorize anyone to assume for them any other obligation. Some states do not allow limitation on how long an implied warranty lasts, so the above limitation may not apply to you. Encore Mfg. Co., Inc. assumes no responsibility for incidental, consequential or other damages including, but not limited to, expense of delivering the Power-Plug to an authorized service dealer and expense of returning it back to the owner, mechanic's travel time, telephone or telegram charges, rental of a like product during the time warranty repairs are being performed, travel, loss or damage to personal property, loss of revenue, loss of use of the Power-Plug, loss of time or inconvenience. Some states do not allow exclusion or limitation so this may not apply to you. This warranty gives you specific legal rights, and you may also have other rights which vary from state to state.

**Encore Mfg. Co., Inc. Cannot be responsible for the way you operate, or the conditions in which you operate the Aerator. Use common sense at all times!**



---

**P.O. Box 88 - Beatrice, NE 68310 - (402) 228-4255**