



RAGE

PARTS MANUAL

**ER52FX730V
ER52FX730VCA**

FOR SERIAL NUMBERS 60848 AND ABOVE



ENCORE MANUFACTURING
A DIVISION OF WORLTLAWN POWER EQUIPMENT, INC.

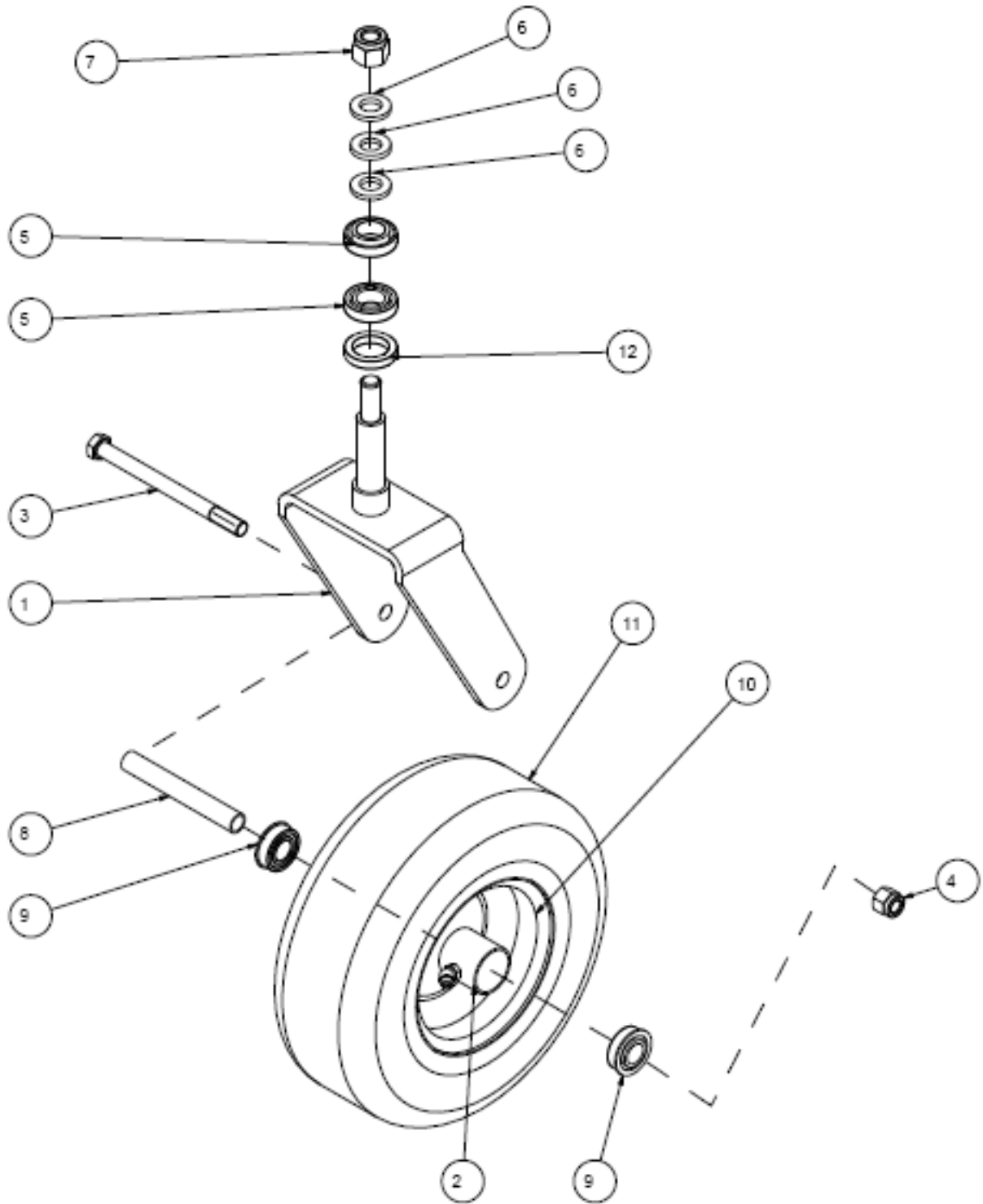
ENCOREEQUIPMENT.COM

2415 ASHLAND AVE
BEATRICE, NE 68310
800-267-4255
FAX – 402-223-4103

Contents

CASTER ASSEMBLY	6
FRONT FRAME	8
CONTROL ASSEMBLY LH.....	10
CONTROL ASSEMBLY RH.....	11
UPPER HANDLE ASSEMBLY	12
UPPER FRAME GROUP	14
BRAKE ROD ASSEMBLY.....	16
IDLER PULLEY ASSEMBLY.....	17
LOWER POWER UNIT	18
PUMP IDLER ASSEMBLY	20
FUEL TANK ASSEMBLY	22
CARBON CANISTER ASSEMBLY.....	23
52" DECK ASSEMBLY.....	24
LOWER DECK IDLER ASSEMBLY	26
UPPER DECK IDLER ASSEMBLY	28
SULKY ASSEMBLY	30
ENGINE GROUP	32
HYDRO GROUP	34
BRAKE CLAW ASSEMBLY.....	36
DECAL GROUP.....	37

CASTER ASSEMBLY



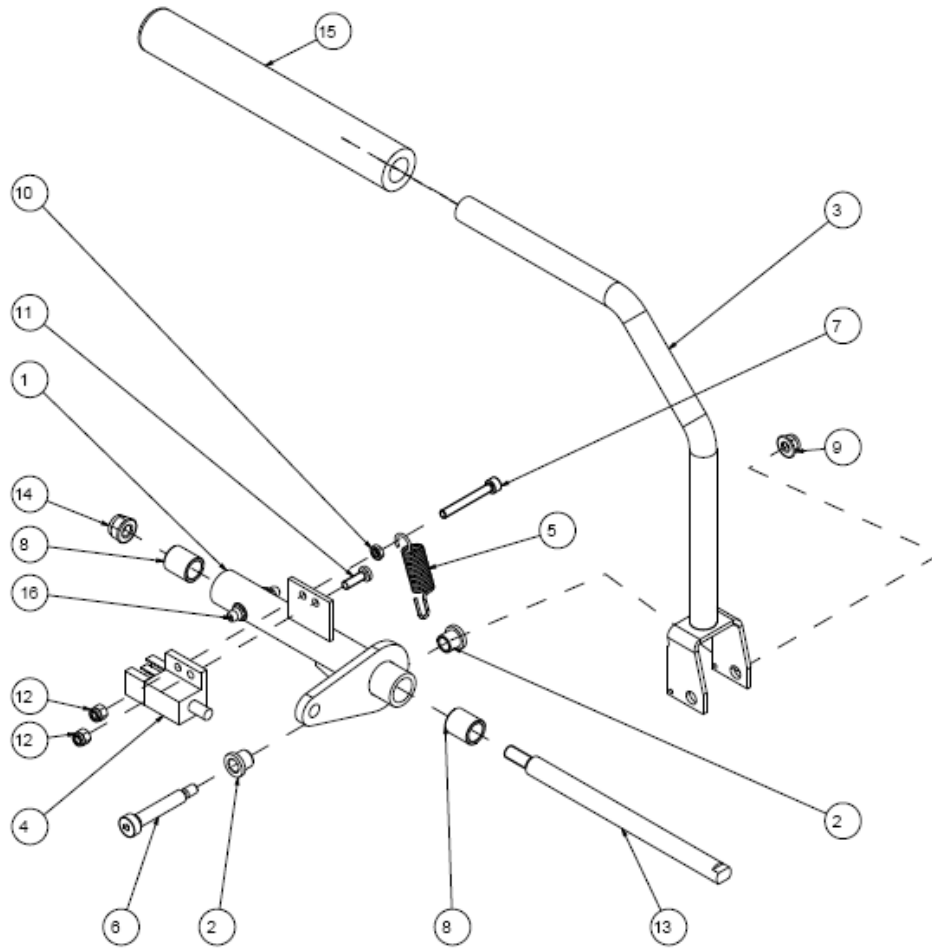
CASTER ASSEMBLY

ITEM	PART NO.	DESCRIPTION
1	5002095	CASTER YOKE WELDMENT
2	5002100	CASTER WHEEL W/BEARINGS
3	B5782-12150	BOLT M12 X 150
4	B6182-12	LOCKNUT M12
5	B297-32922	BEARING
6	5002091	SPRING WASHER – A40
7	B6182-16	LOCKNUT M16
8	5002092	CASTER TUBE
9	5002103	CASTER WHEEL BEARING
10	5002102	RIM
11	5002101	TIRE 11X4
12	B9877.1-28407	SEAL

FRONT FRAME

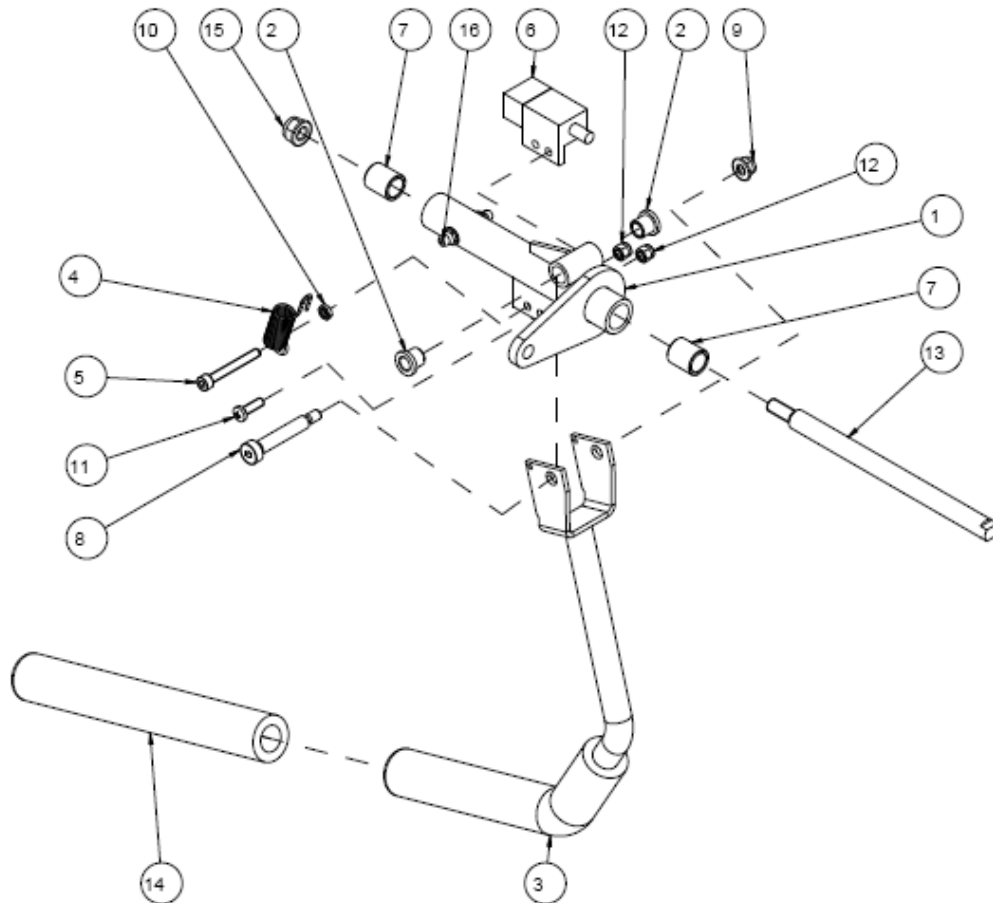
ITEM	PART NO.	DESCRIPTION
1	452084-2	FRAME, FRONT WELDMENT
2	3601016	BUSHING, REAR
3	3601015	BUSHING, FRONT
4	B894.2-30	SNAP RING
5	B894.2-24	SNAP RING
6	B97.1-12	WASHER M12
7	452086	LATCH WELDMENT, RH
8	452085	LATCH WELDMENT, LH
9	B896-9	SNAP RING 9
10	453347	COUNTERWEIGHT
11	453352	SPRING
12	B801-1080	BOLT, CARRIAGE SN M10 X 80
13	B96-10	WASHER, FLAT M10
14	453353	SPRING
15	B6187-10	LOCKNUT M10
16	B1152-6	GREASE FITTING M6
17	5002020	DUST CAP
18	B5782-1230	SCREW, HH M12 X 30
19	453409-2	SHIELD, BELT CENTER
20	3302190	KNOB

CONTROL ASSEMBLY LH



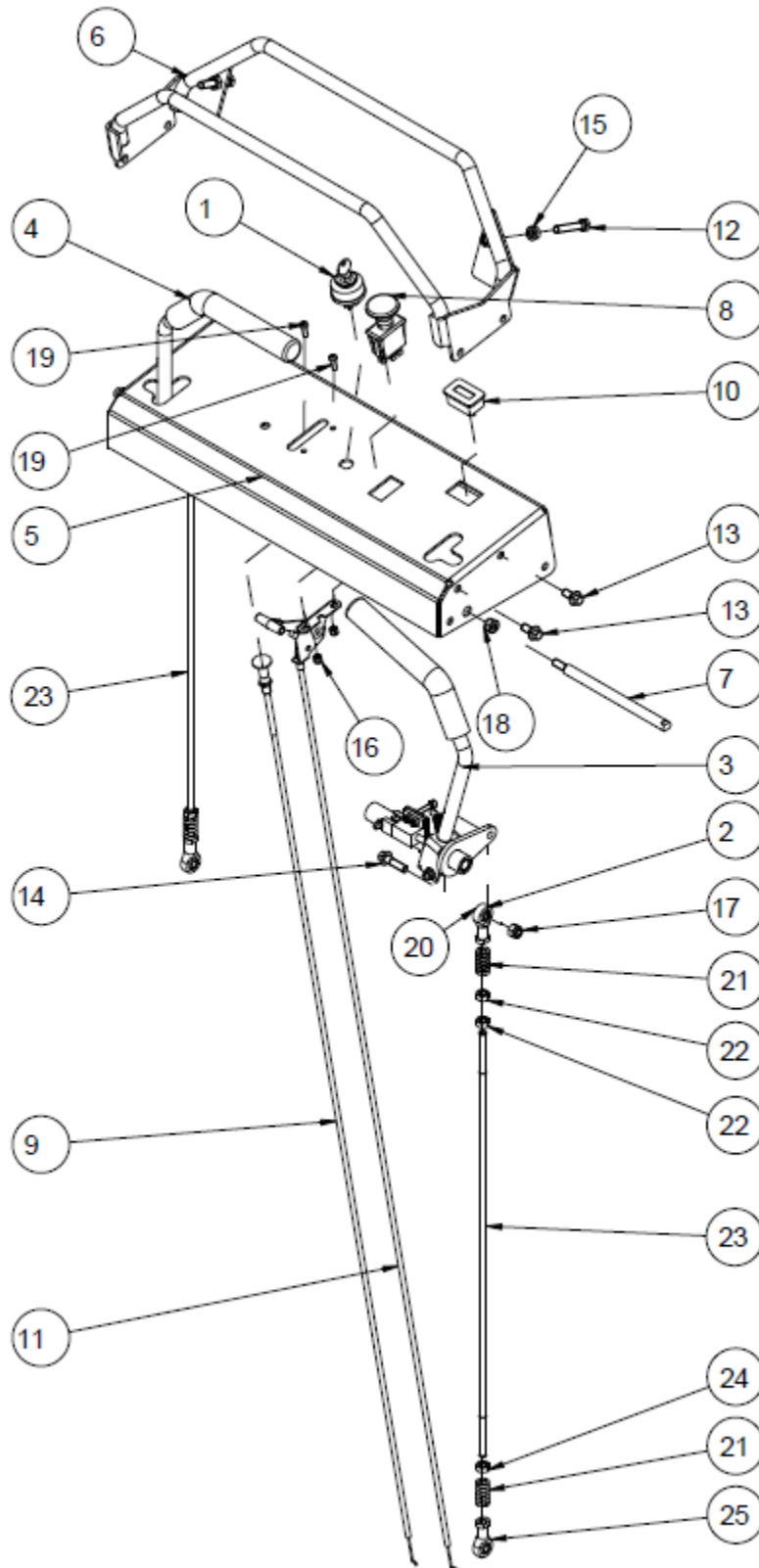
ITEM	PART NO.	DESCRIPTION
1	452080	CONTROL WLD W/ZERK, LH
2	2806010	NYLON BUSHING
3	452081	HANDLE W/GRIP
4	453358	SWITCH, BRAKE
5	363115	SPRING
6	B5281-840	SHOULDER BOLT
7	B70-540	SCREW M5 X 40
8	B2685-121618	OILITE BRONZE BEARING
9	B6187-6	LOCKNUT M6
10	B6172-5	NUT, JAM M5
11	B823-516	SCREW, PAN HEAD HILLIPS M5 X 16
12	B6182-5	NUT, NYLOC M5
13	453237	PIN, CONTROL PIVOT
14	B6187-8	LOCKNUT M8
15	453238	GRIP, MOTION CONTROL
16	B1152-6	ZERK M6

CONTROL ASSEMBLY RH



ITEM	PART NO.	DESCRIPTION
1	452079	CONTROL WLD W/ZERK RH
2	2806010	NYLON BUSHING
3	452081	HANDLE W/GRIP
4	363155	SPRING
5	B70-540	SCREW M5 X 40
6	453358	SWITCH, BRAKE
7	B2685-121618	OILITE BRONZE BEARING
8	B5281-840	SHOULDER BOLT
9	B6187-6	LOCKNUT M6
10	B6172-5	NUT, JAM M5
11	B823-516	SCREW, PAN HEAD HILLIPS M5 X 16
12	B6182-5	NUT, NYLOC M5
13	453237	PIN, CONTROL PIVOT
14	453238	GRIP, MOTION CONTROL
15	B6187-8	LOCKNUT M8
16	B1152-6	ZERK M6

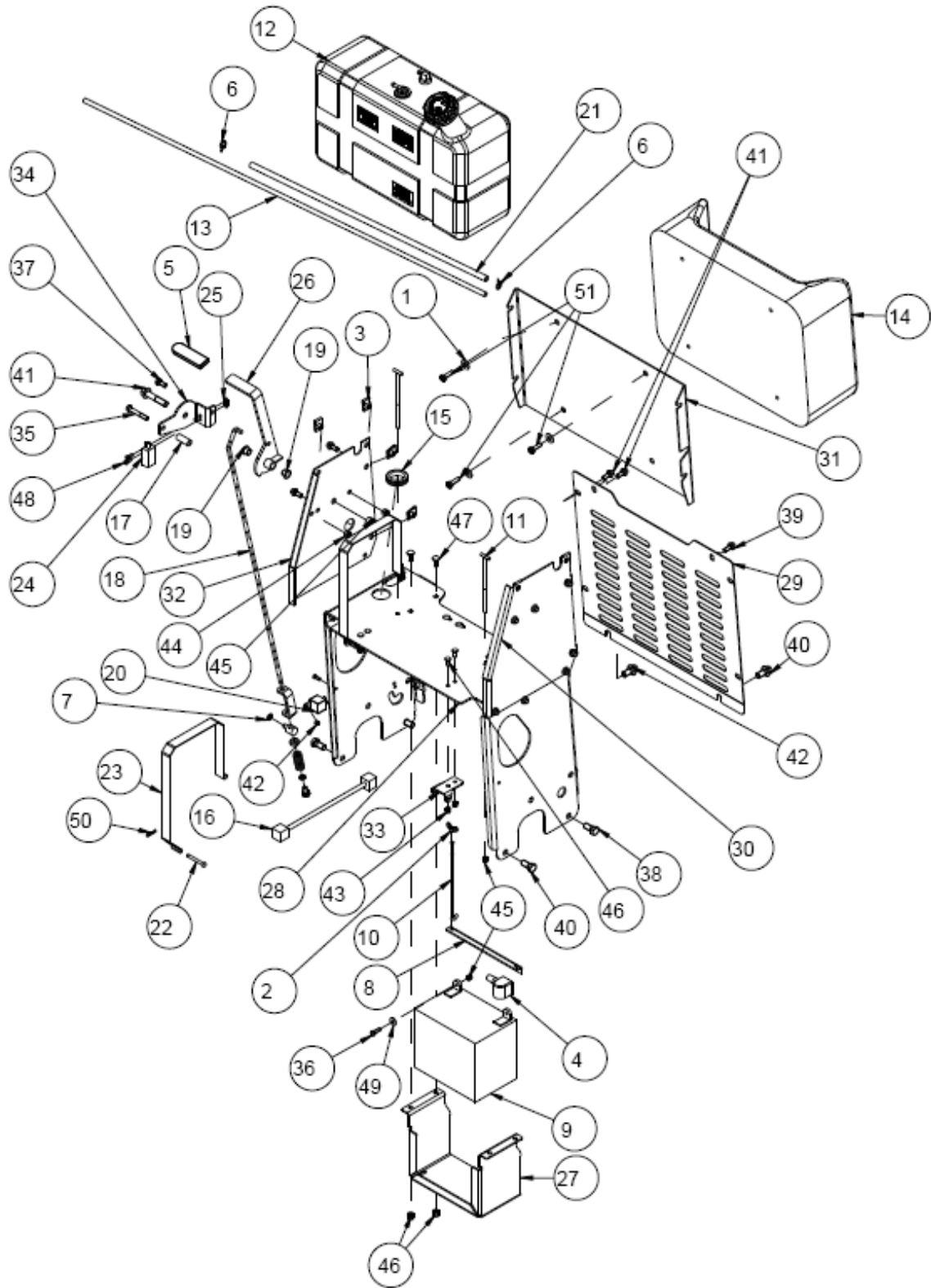
UPPER HANDLE ASSEMBLY



UPPER HANDLE ASSEMBLY

ITEM	PART NO.	DESCRIPTION
1	423027	SWITCH, KEY
2	452075	CONTROL ROD ASM COMPLETE
3	452082	CONTROL ASM, RH COMPLETE
4	452083	CONTROL ASM, LH COMPLETE
5	452124	CONSOLE W/DECAL
6	452115	REFERENCE BAR WLD
7	453237	PIN, CONTROL PIVOT
8	523031	SWITCH, BLADE
9	523037	CABLE, CHOKE
10	523283	HOUR METER
11	593043	CABLE, THROTTLE
12	B5783-845	SCREW, HH TAP M8 X 45
13	B5787-816	SCREW, HH FLANGED M8 X 164
14	B5787-830	SCREW, HH FLANGED M8 X 302
15	B6177-8	NUT, SERRATED FLANGE M8
16	B6182-5	NUT, NYLOC M5
17	B6182-8	NUT, NYLOC M8
18	B6187-8	LOCKNUT M8
19	B823-516	SCREW M5 X 16
20	5205017	BEARING SILBJK8S
21	5205003	SPRING
22	B6171-8L	NUT M8 LH
23	453229	CONTROL ROD
24	B6171-8	NUT M8
25	5205016	BEARING SIBJK8S

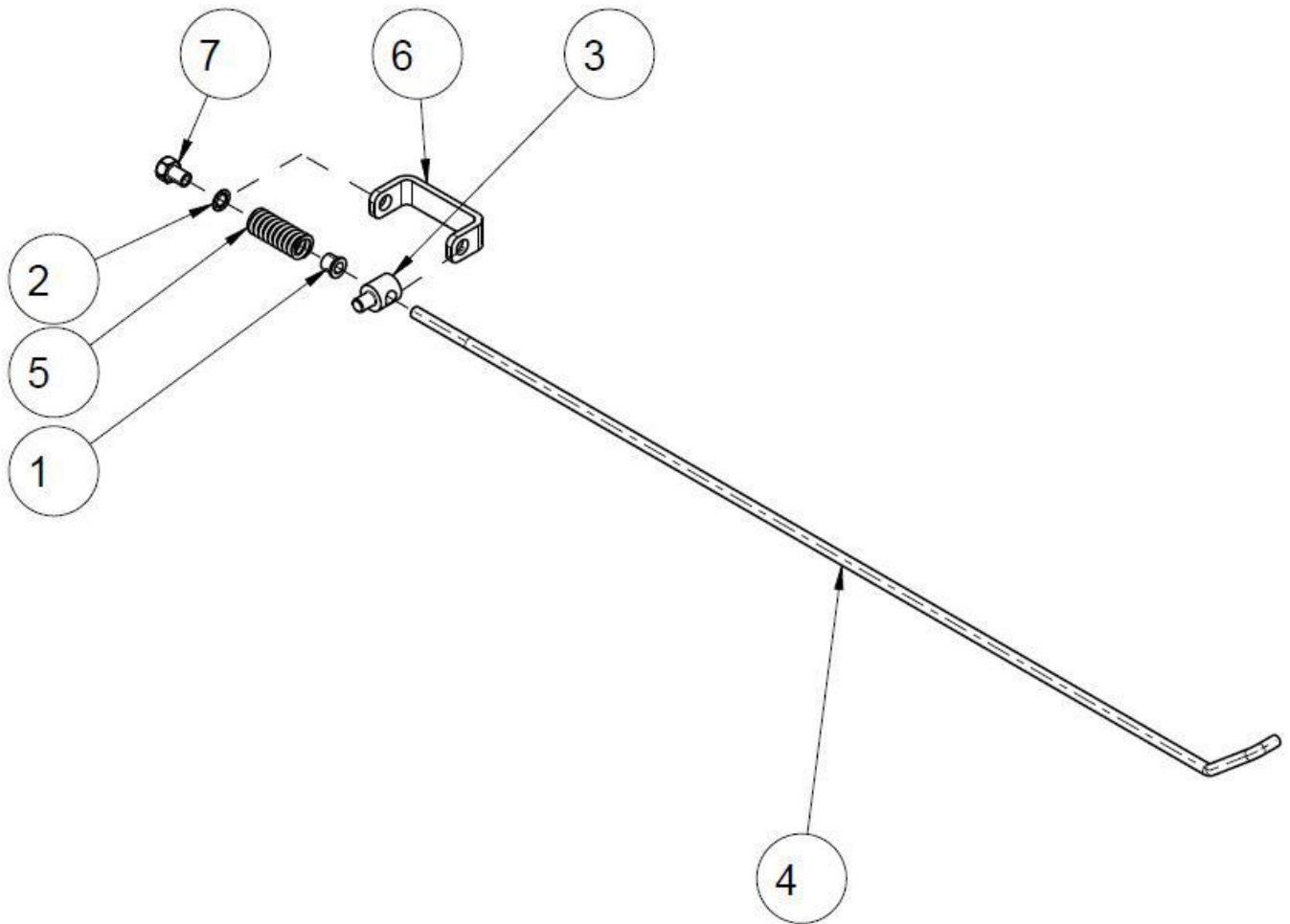
UPPER FRAME GROUP



UPPER FRAME GROUP

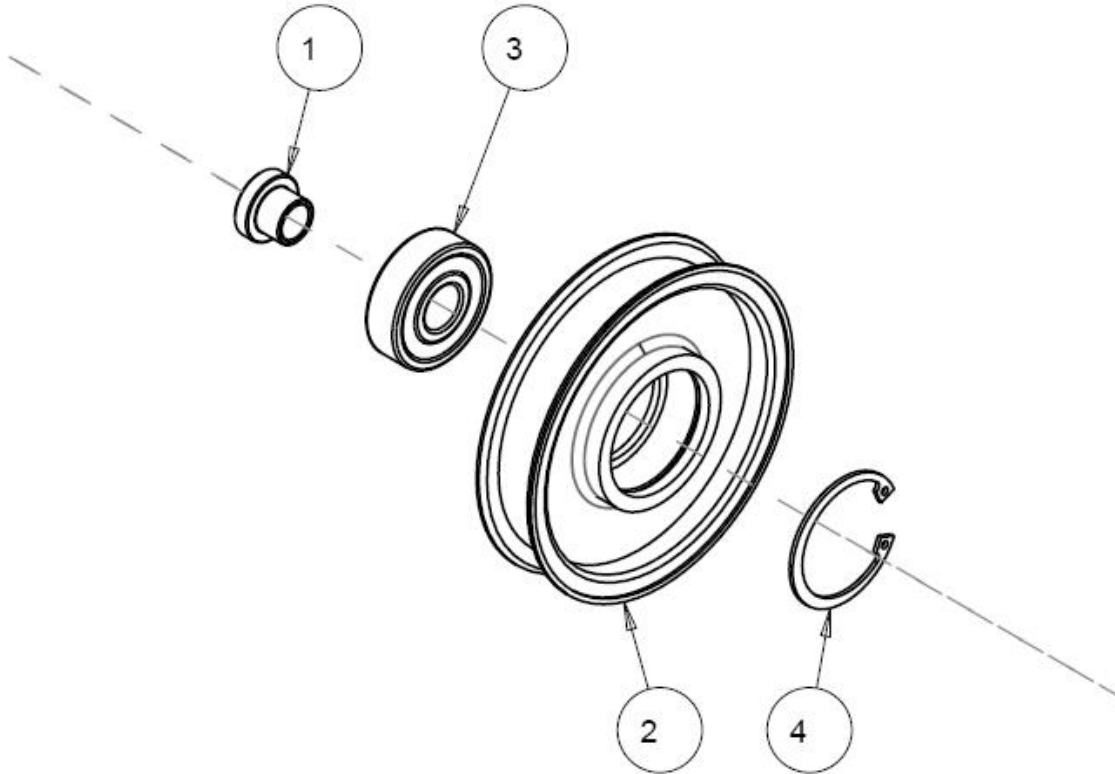
ITEM	PART NO.	DESCRIPTION
1	105258	WASHER, 5/16 USS
2	109012	1/4 WING NUT
3	109045	CLIP, NUT M8
4	343134	BATTERY BOOT
5	363022	GRIP
6	363098	CLAMP, FUEL LINE
7	363177	PUSH NUT, 3/8
8	423011	BATTERY HOLD DOWN
9	423142	BATTERY 12V – FOR REFERENCE ONLY
10	423172	ROD, BATTERY HOLD DOWN
11	452131	WLD, T-BOLT
12	453362	FUEL TANK COMPLETE SEE PG 23 FOR EXPLODED VIEW
13	453374	3/16 LINE, VENT 46"
14	453380	CUSHION, LEG ENCORE
15	453382	GROMMET, RUBBER 1-5/16 I.D.
16	453401	HARNES, NEUTRAL POSITION
17	453404	SPACER, LEVER MOUNT
18	454092	BRAKE ROD ASSEMBLY SEE PG 17 FOR EXPLODED VIEW
19	543154	BUSHING, MOTION CONTROL
20	583351	RELAY
21	823315	FUEL LINE 1/4 X 27"
22	4805003	PIN
23	4805010	STRAP, FUEL TANK
24	523034	BRAKE SWITCH
25	5208103	NUT PLATE
26	452136-1	WLD, BRAKE LEVER – BLACK
27	453272-1	BATTERY TRAY
28	453273-2	TANK SUPPORT
29	453274-1	COVER
30	453275-2	SIDE PLATE LH
31	453276-1	COVER, UPPER
32	453278-2	SIDE PLATE. RH
33	453388-2	BRACKET, TANK BAND, RED
34	453397-2	BRACKET, BRAKE MOUNT, RED
35	B5782-855	SCREW, HH M8 X 55
36	B5783-620	SCREW, HH TAP M6 X 20
37	B5783-820	SCREW, HH TAP M8 X 20
38	B5783-1225	SCREW, HH TAP M12 X 25
39	B5787-820	SCREW, HH FLANGED M8 X 20
40	B5787-1225	SCREW, HH FLANGED M12 X 25
41	B5787-1260	SCREW, HH FLANGED M12 X 60
42	B6182-5	NUT, NYLOC M5
43	B6182-6	NUT, NYLOC M6
44	B6182-8	NUT, NYLOC M8
45	B6182-12	NUT, NYLOC M12
46	B801-616	BOLT, CARRIAGE SN M6 X 16
47	B801-820	BOLT, CARRIAGE SN M8 X 20
48	B823-514	SCREW, PAN HEAD PHILLIPS M5 X 14
49	B96-6	WASHER, FLAT M6
50	XSZ56-1-17	HAIR PIN
51	100273	HHCS. 5/16-18 X 1

BRAKE ROD ASSEMBLY



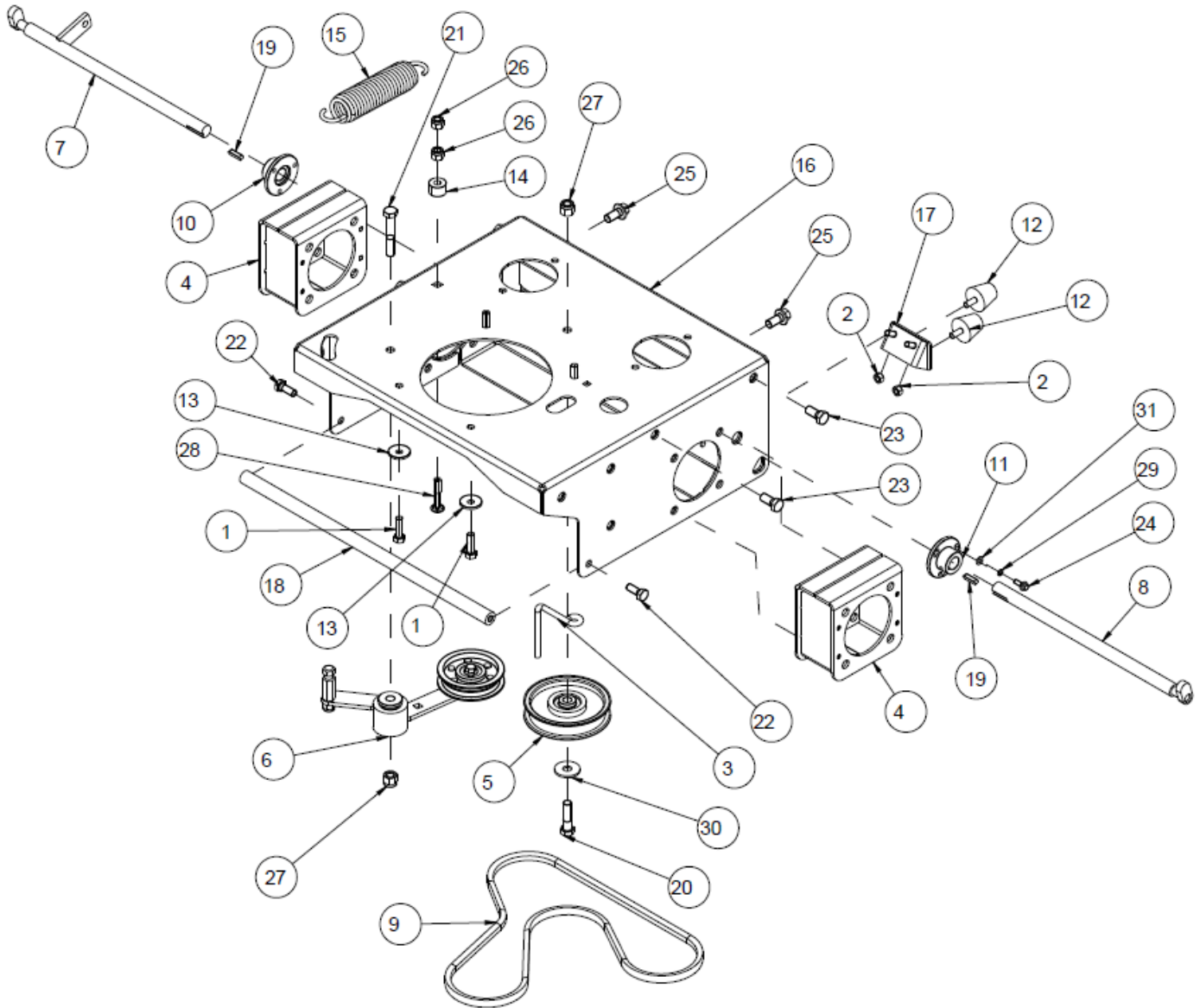
ITEM	PART NO	DESCRIPTION
1	363159	NYLON BUSHING
2	363177	PUSH NUT, 3/8
3	423130	SWIVEL
4	453393	BRAKE ROD
5	523024	SPRING
6	543386	BRAKE SPRING RETAINER
7	593116	BRAKE SPRING NUT

IDLER PULLEY ASSEMBLY



ITEM	PART NO.	DESCRIPTION
1	543167	STEPPED SPACER
2	3302056	IDLER PULLEY ASSEMBLY
3	B276-6303RS	BEARING
4	B893.2-47	SNAP RING
5	452062	IDLER PULLEY COMPLETE

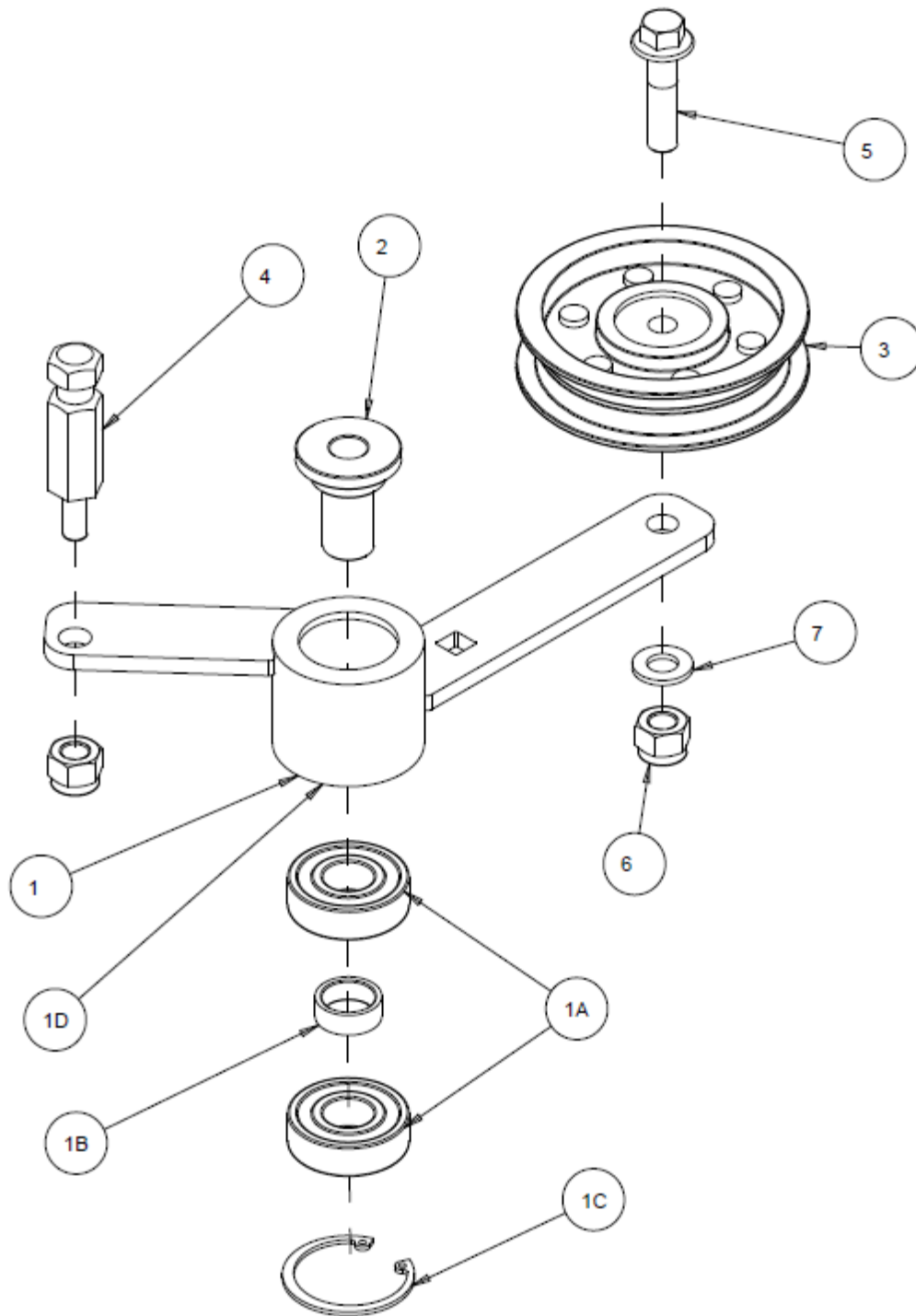
LOWER POWER UNIT



LOWER POWER UNIT

ITEM	PART NO.	DESCRIPTION
1	100293	SCREW, HH TAP 3/8-16 X 1-1/4
2	104253	NUT 5/16-24
3	373070	BELT GUIDE
4	452026	MOTOR EXTENSION
5	452062	IDLER PULLEY ASSEMBLY
6	452110	PUMP IDLER ASSEMBLY SEE PG 21 FOR EXPLODED VIEW
7	452134	WLD, BRAKE SHAFT, RH
8	453135	WLD, BRAKE SHAFT, LH
9	453311	BELT, PUMP
10	453398	HUB, BRAKE SHAFT, FEMALE
11	453399	HUB, BRAKE SHAFT, MALE
12	623239	BUMPER
13	753027	WASHER, SPRING DISC 3/8
14	823309	SPACER
15	5201002	SPRING
16	452090-2	WLD, REAR DECK
17	452117-2	WLD, BUMPER MOUNT
18	453257-2	BAR, CROSSMEMBER
19	B1096-625	KEY, SQ 6 X 25
20	B5782-1245	SCREW, HH M12 X 45
21	B5782-1270	SCREW, HH M12 X 70
22	B5783-1025	SCREW, HH TAP M10 X 25
23	B5783-1225	SCREW, HH TAP M12 X 25
24	B5787-616	SCREW, HH FLANGED M6 X 16
25	B5787-1225	SCREW, HH FLANGED M12 X 25
26	B6182-10	NUT, NYLOC M10
27	B6182-12	NUT, NYLOC M12
28	B801-1050	BOLT, CARRIAGE SN M10 X 50
29	B93-6	WASHER
30	B96-12	WASHER, FLAT M12
31	B97.1-6	WASHER M6

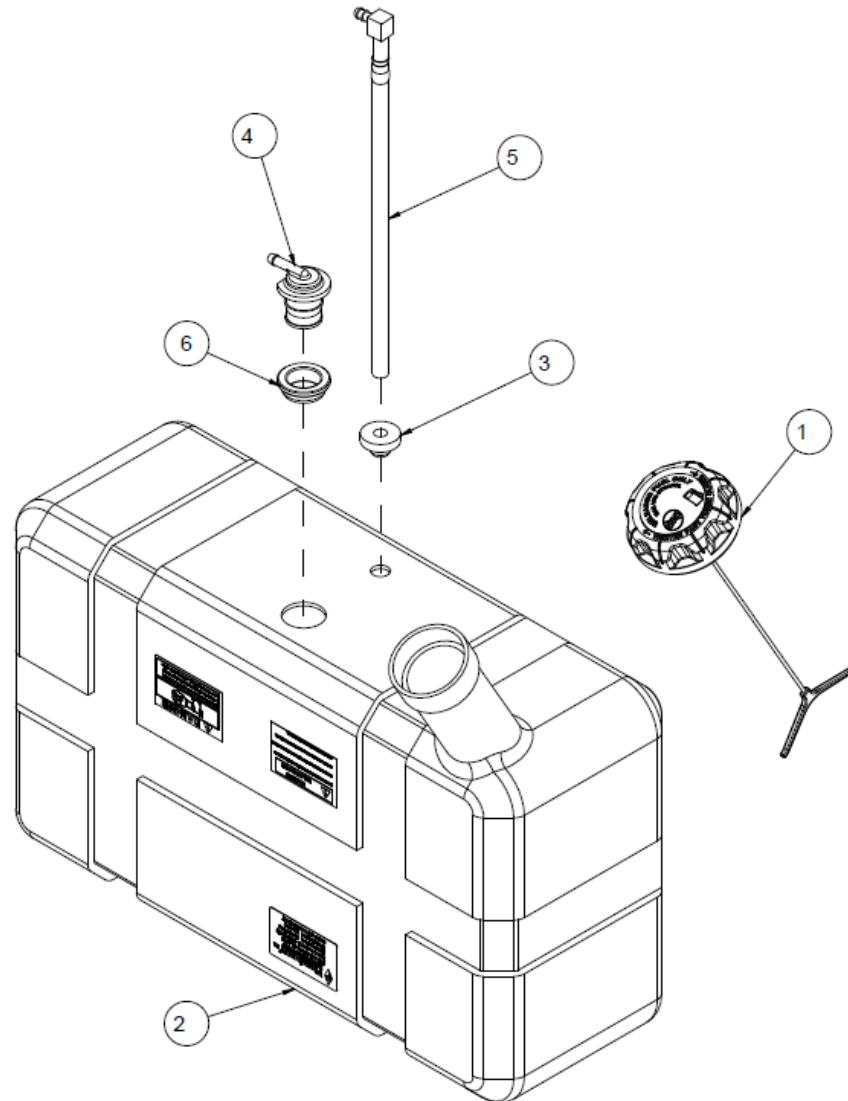
PUMP IDLER ASSEMBLY



PUMP IDLER ASSEMBLY

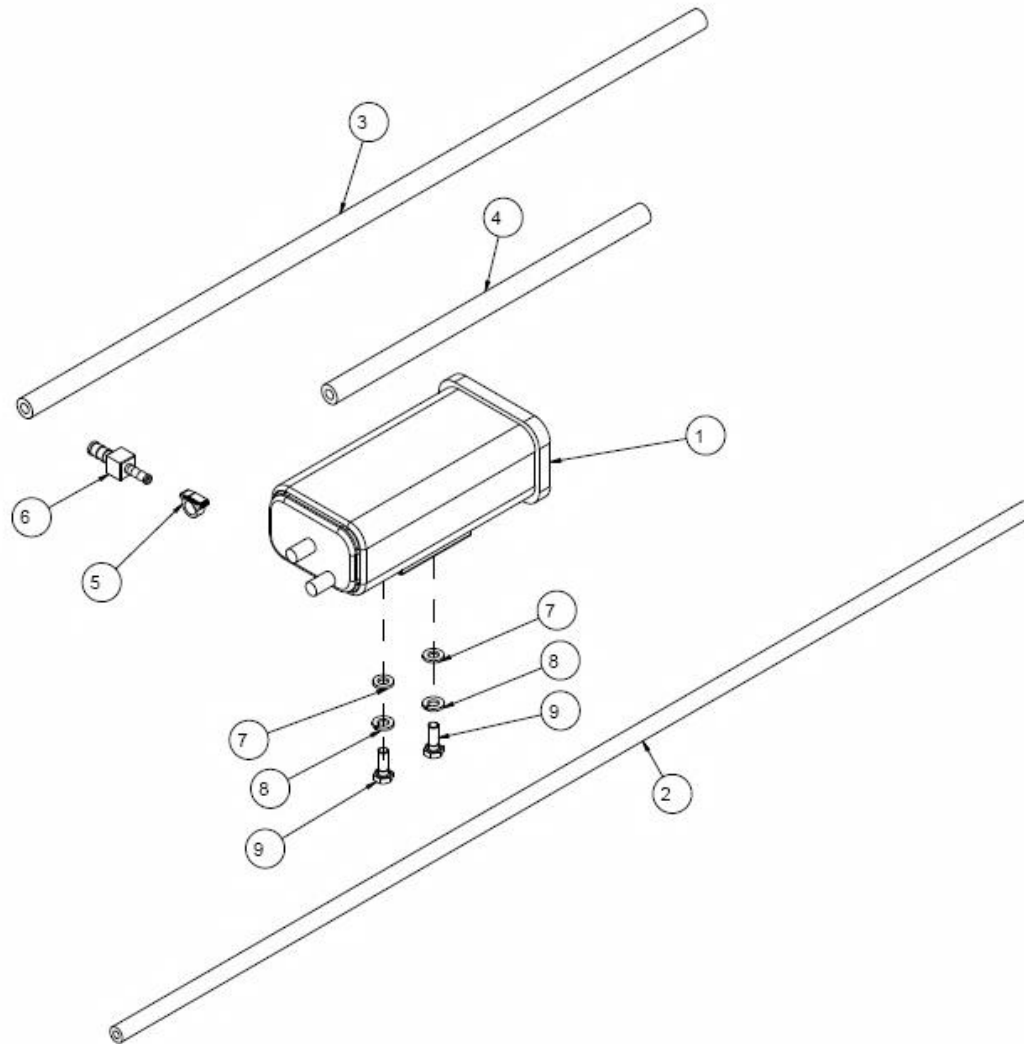
ITEM	PART NO.	DESCRIPTION
1	452100	IDLER ARM W/BEARINGS COMPLETE
1A	B2766-203RS	BEARING 6203-2RS
1B	5201077	BUSHING
1C	B893.1-40	SNAP RING 40
1D	452099	IDLER ARM WELDMENT
2	453313	BUSHING, STEPPED
3	523328	IDLER PULLEY
4	543101	ANCHOR, SPRING 1.46
5	B5787-1040	BOLT, M10 X 40
6	B6182-10	LOCKNUT M10
7	B97.1-10	WASHER M10

FUEL TANK ASSEMBLY



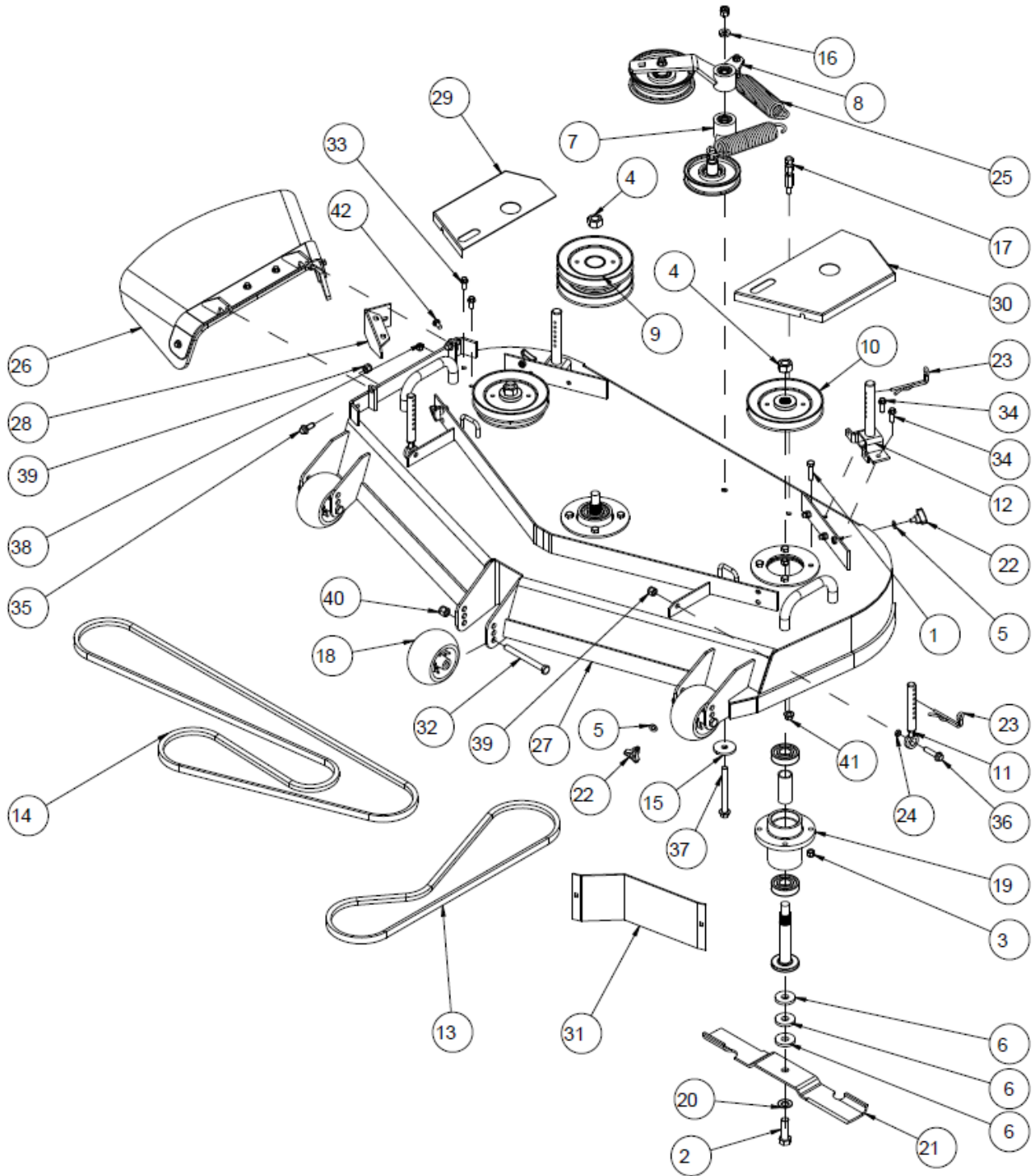
ITEM	PART NO.	DESCRIPTION
1	3307032	EPA GAS CAP WITH TETHER
2	453362	FUEL TANK ASSEMBLY COMPLETE
3	533125	RUBBER GROMMET
4	543283	FUEL VENT ASSEMBLY WITH GROMMET
5	453366	90° FUEL FITTING W/TUBE
6	543284	GROMMET

CARBON CANISTER ASSEMBLY



ITEM	PART NO.	DESCRIPTION
1	363423	SM CARBON CANISTER
2	623418	HOSE, VENT 3/16 ID X 29
3	533085	1/4 FUEL LINE 21.5"
4	623410	.25 FUEL LINE - 10"
5	623532	CLAMP
6	5000130	ADAPTOR, FUEL
7	B97.1-6	WASHER M6
8	105004	1/4 LOCKWASHER
9	B5783-616	SCREW, HH TAP M6 X 16

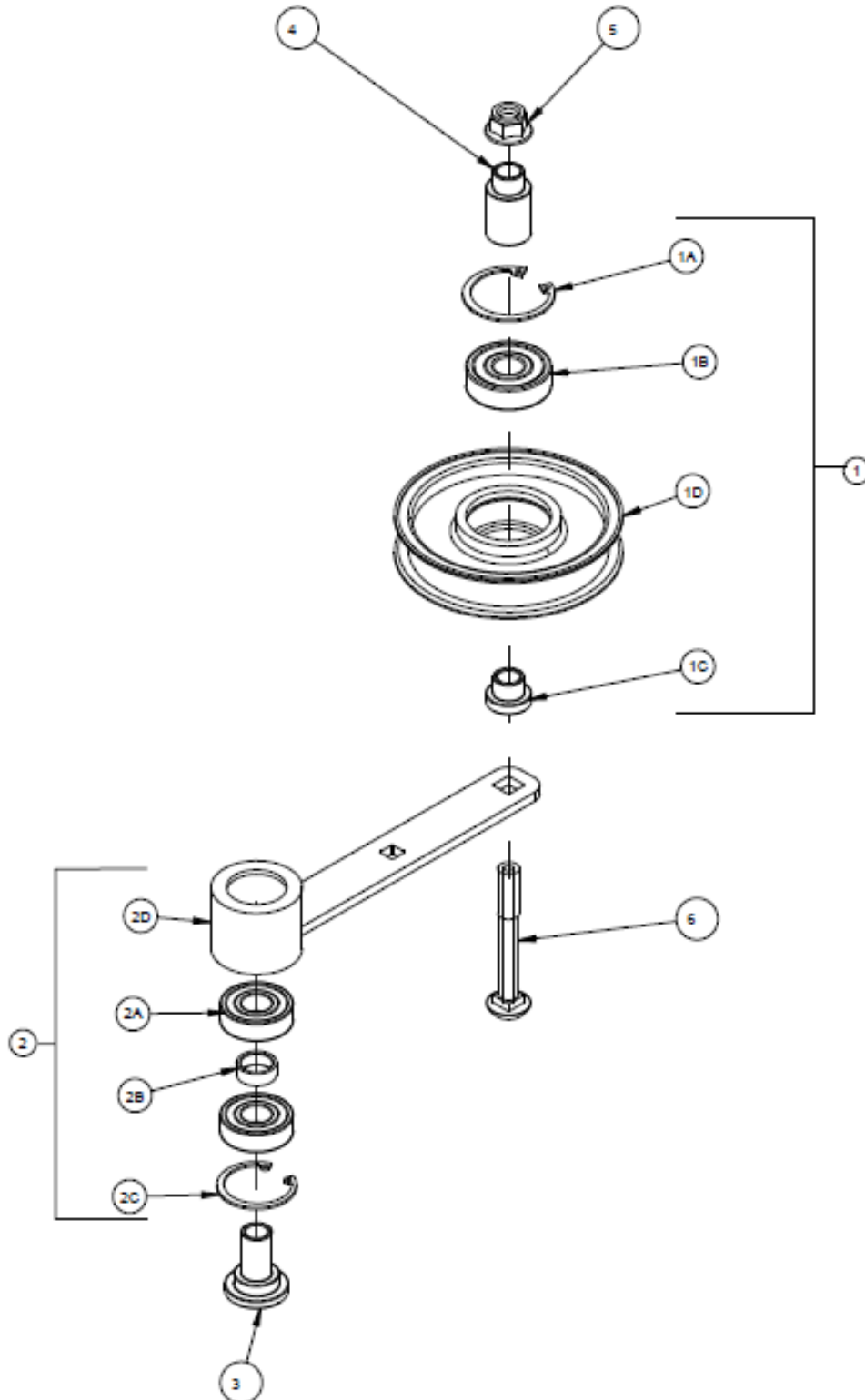
52" DECK ASSEMBLY



52" DECK ASSEMBLY

ITEM	PART NO.	DESCRIPTION
1	100294	BOLT 3/8 X 1-1/2
2	100347	BLADE BOLT
3	104257	NYLOC NUT 3/8-16
4	104511	3/4-16 HEX NUT
5	105257	WASHER, FLAT SAE 5/16
6	363382	BLADE SPACER, PLATED
7	452064	IDLER PULLEY ASM SEE PG 27 FOR EXPLODED VIEW
8	452068	IDLER ARM ASM SEE PG 29 FOR EXPLODED VIEW
9	452072	PULLEY, DOUBLE
10	452073	PULLEY, DECK
11	452087	FRONT FRAME ASM
12	452101	DECK HEIGHT ASM
13	452116	HEIGHT PIN WLDMT
14	453214	DECK BELT
15	453215	SERPENTINE BELT
16	453219	SPACER
17	453220	SPACER
18	453228	SPRING ANCHOR
19	543225	ROLLER, ANTI-SCALP
20	583106	BLADE SPINDLE ASM
21	583108	5/8 SPRING WASHER
22	823004	BLADE
23	3302190	KNOB
24	4800007	PIN, DECK
25	4801302	SPACER
26	5201002	SPRING
27	6001050	DISCHARGE CHUTE
27A	6001052	INNER BRACKET DISCHARGE CHUTE
27B	6001053	DISCHARGE CHUTE - RUBBER
27C	6001054	OUTER BRACKET DISCHARGE CHUTE
28	452125	DECK W/DECALS
29	452119-2	BAFFLE
30	452126	BELT SHIELD W/DECALS, RH
31	452127	BELT SHIELD W/DECALS, LH
32	543046-2	BAFFLE, BIRDWING LH
33	B6182-8	NUT NYLOC M8
34	B6182-12	NUT, NYLOC M12
35	B5782-12120	SCREW, HH M12 X 120
36	B5787-820	SCREW, HH FLANGE M8 x 20
37	B5787-825	SCREW, HH FLANGE M8 x 25
38	B5787-1025	SCREW, HH FLANGE M10 x 25
39	B5787-1040	SCREW, HH FLANGE M10 x 40
40	B5787-12120	SCREW, HH FLANGE M12 x 120
41	B6182-10	NUT, NYLOC M10
42	B6187-10	LOCKNUT M10
43	B801-820	BOLT, CARRIAGE SN M8 x 20

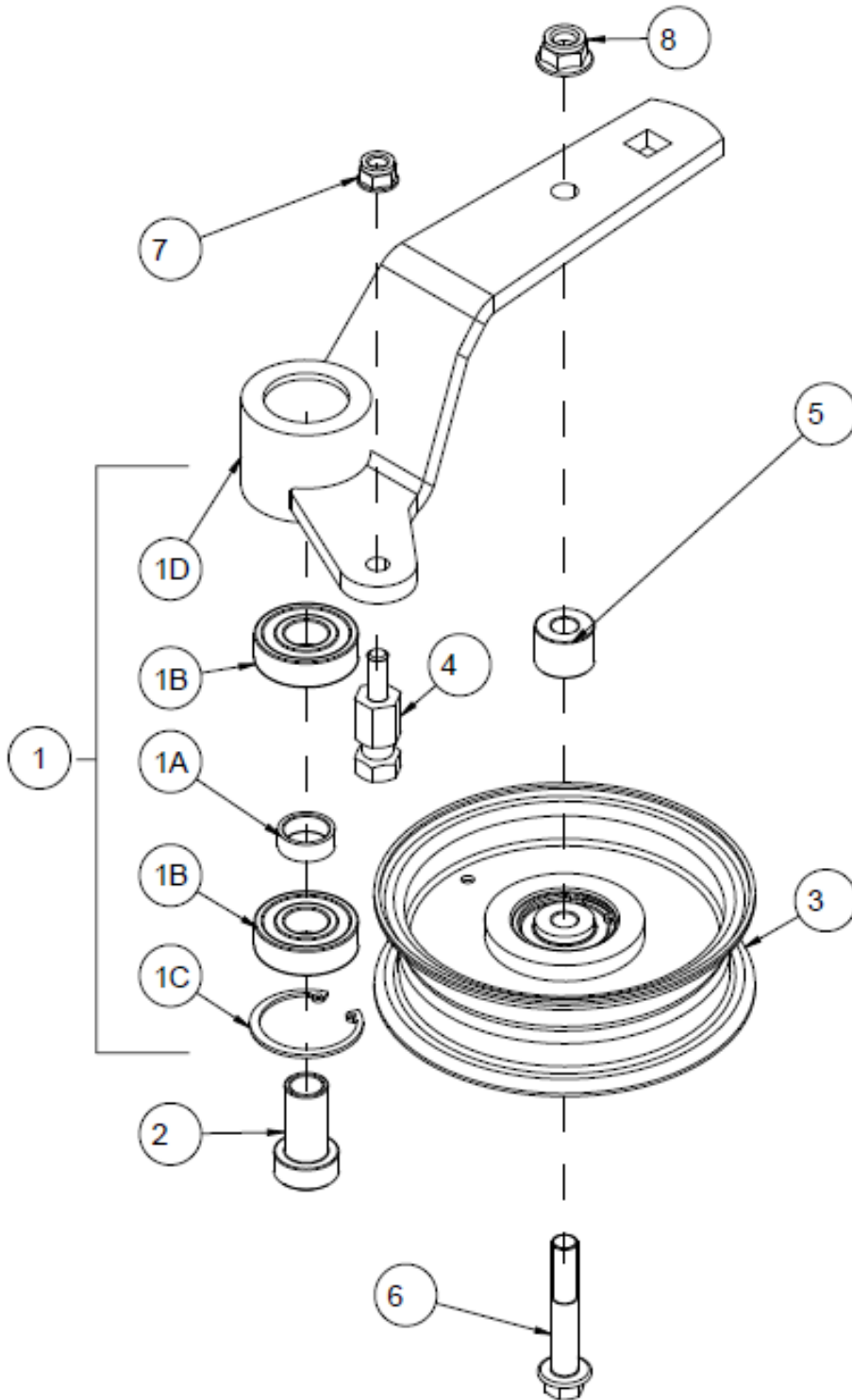
LOWER DECK IDLER ASSEMBLY



LOWER DECK IDLER ASSEMBLY

ITEM	PART NO.	DESCRIPTION
1	452062	IDLER PULLEY ASSEMBLY COMPLETE
1A	B893.2-47	SNAP RING 47
1B	B276-6303RS	BEARING 6303-2RS
1C	543167	SPACER, STEPPED
1D	3302056	PULLEY
2	452071	IDLER ARM W/BEARINGS COMPLETE
2A	B276-6303RS	BEARING 6303-2RS
2B	5201077	BUSHING
2C	B8931-40	SPACER 40
2D	452063	IDLER ARM
3	453313	BUSHING, STEPPED
4	453364	SPACER, STEPPED
5	B6187-12	NUT, M12
6	B801-1290	BOLT, CARRIAGE M12 X 90

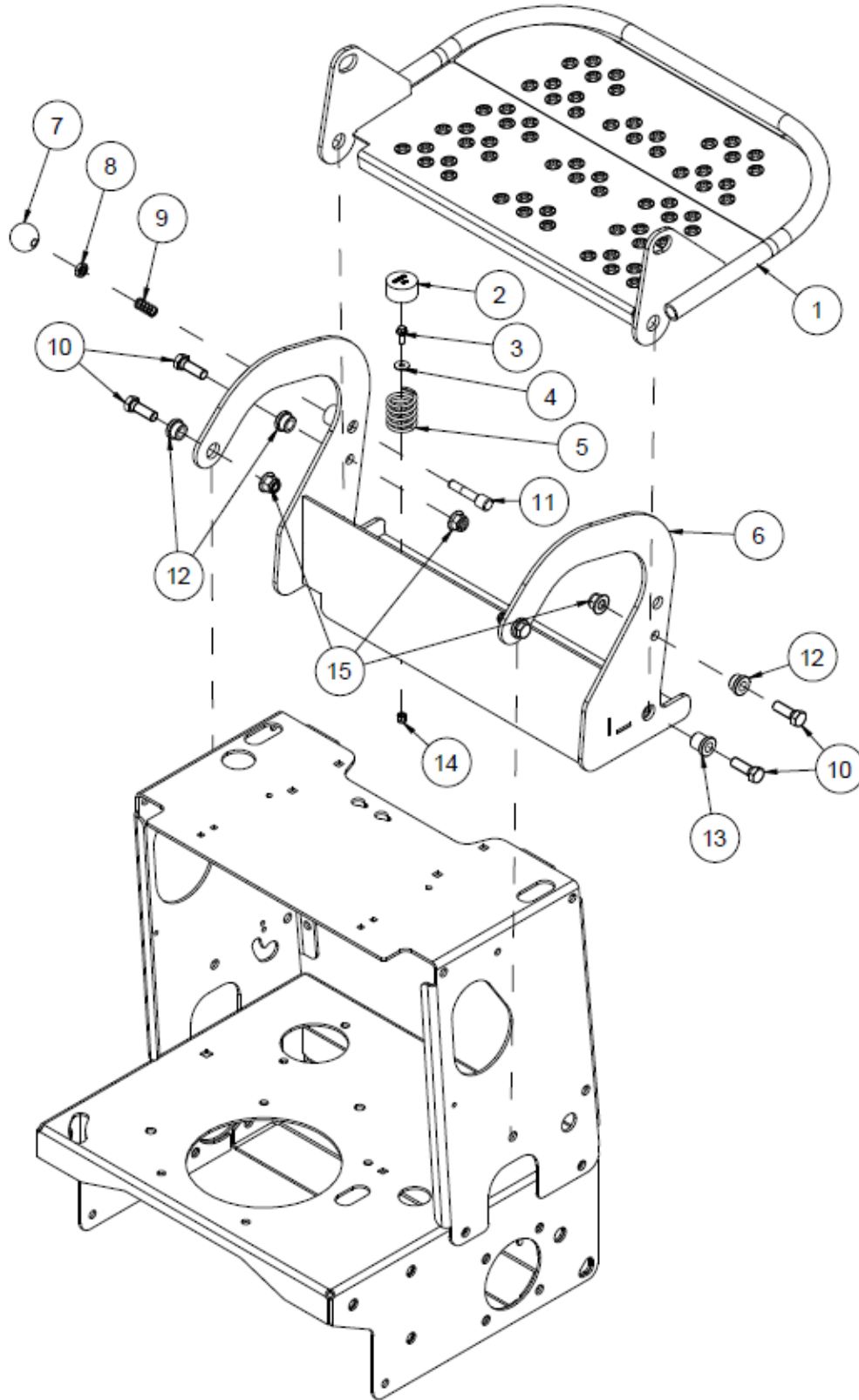
UPPER DECK IDLER ASSEMBLY



UPPER DECK IDLER ASSEMBLY

ITEM	PART NO.	DESCRIPTION
1	452067	IDLER ARM W/BEARINGS COMPLETE
1A	5201077	BUSHING
1B	B276-6203RS	BEARING 6203-2RS
1C	B893.1-40	SPACER 40
1D	452065	WELDMENT, IDLER ARM, TOP
2	453213	BUSHING, STEPPED
3	533114	DECK TENSION IDLER
4	543100	ANCHOR, SPRING .91
5	593439	ENGINE BASE SPACER
6	B5787-1060	BOLT M10 X 60
7	B6187-8	NUT M8
8	B6187-10	LOCKNUT M10

SULKY ASSEMBLY



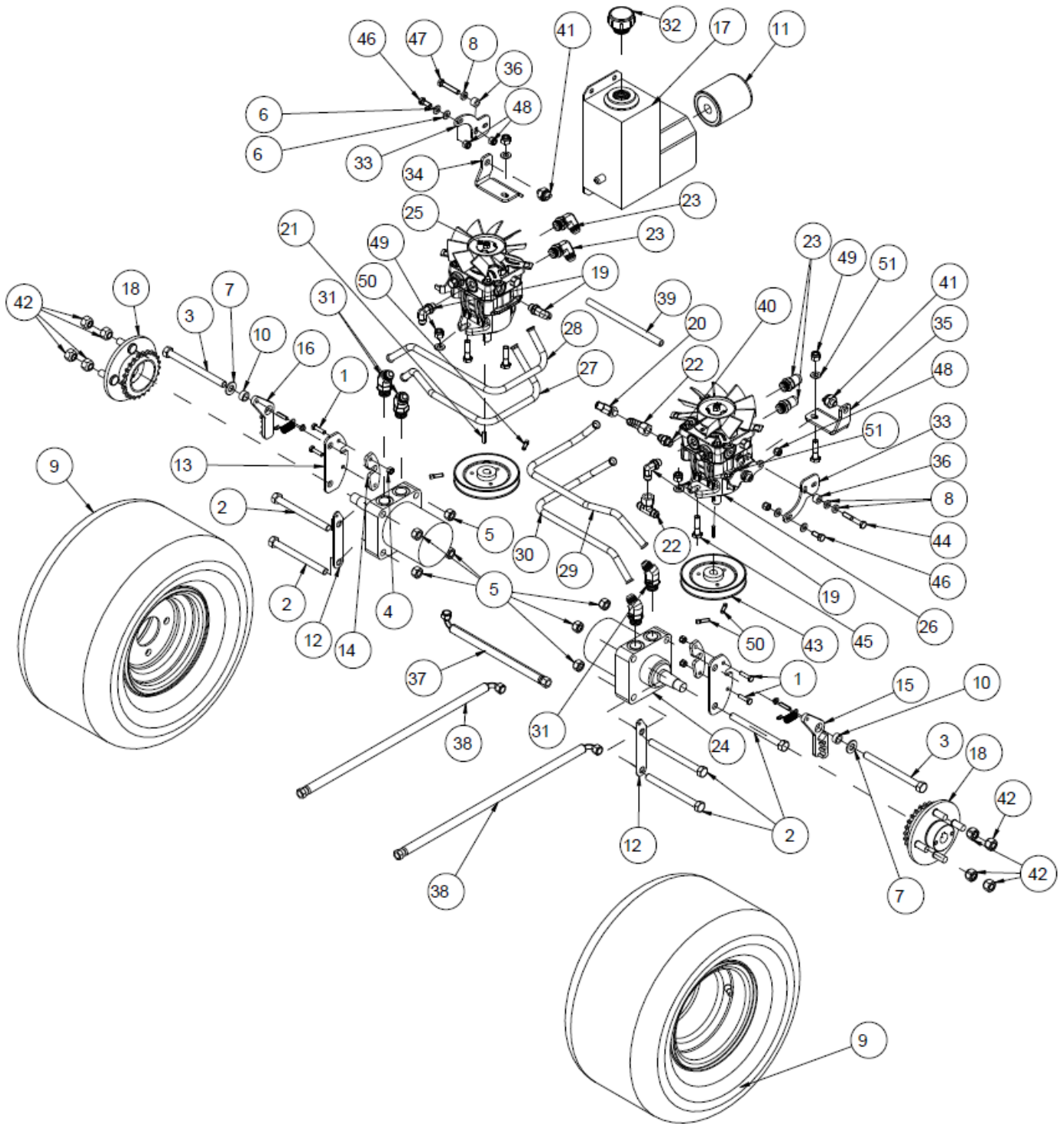
SULKY ASSEMBLY

ITEM	PART NO.	DESCRIPTION
1	452091-1	FOOTPLATE WELDMENT
2	5203045	CAP, PLASTIC
3	B5787-616	SCREW, HH FLANGED M6 X 16
4	B96-6	WASHER, FLAT M6
5	5203044	SPRING
6	452092-2	SULKY MOUNT WELDMENT
7	B4141.11-1035	KNOB, M10 X 35
8	B6172-10	NUT, JAM M10
9	4806013	COMPRESSION SPRING
10	B5783-1235	SCREW, HH TAP M12 X 35
11	453279	PIN, LATCH
12	453288	BUSHING
13	453287	BUSHING
14	B6182-6	NUT, NYLOC M6
15	B6183-12	NUT, FLANGED NYLOC M12

ENGINE GROUP

ITEM	PART NO.	DESCRIPTION
1	100535	BOLT 7/16-20 X 2-1/2
2	107258	KEY .25 SQ X .75
3	343128	PULLEY WASHER
4	343146	DRAIN, OIL 90 DEG
5	363098	CLAMP FUEL LINE
6	423068	WASHER, 7/16 ID X 1.50 OD X .25 THK
7	423069	WASHER, SPRING DISC 7/16
8	423117	POSITIVE CABLE, LONG
9	423118	NEGATIVE CABLE
10	453309	PULLEY, PUMP DRIVE
11	453330	CLUTCH, 125 FT/LB
12	453332	HARNESS, WIRE, KAW (NOT SHOWN)
13	453407	MUFFLER, LONG
14	453360	MANIFOLD, EXHAUST
15	N/A	26HP KAWASAKI – FOR REFERENCE ONLY
16	623418	HOSE, VENT 3/16 ID X 29
17	823315	FUEL LINE 1/4 X 27"
18	453412-1	GUARD, AIR INTAKE HEAT - BLACK
19	B5787-816	SCREW, HH FLANGED M8 X 16
NOT SHOWN	483098	MUFFLER GASKET

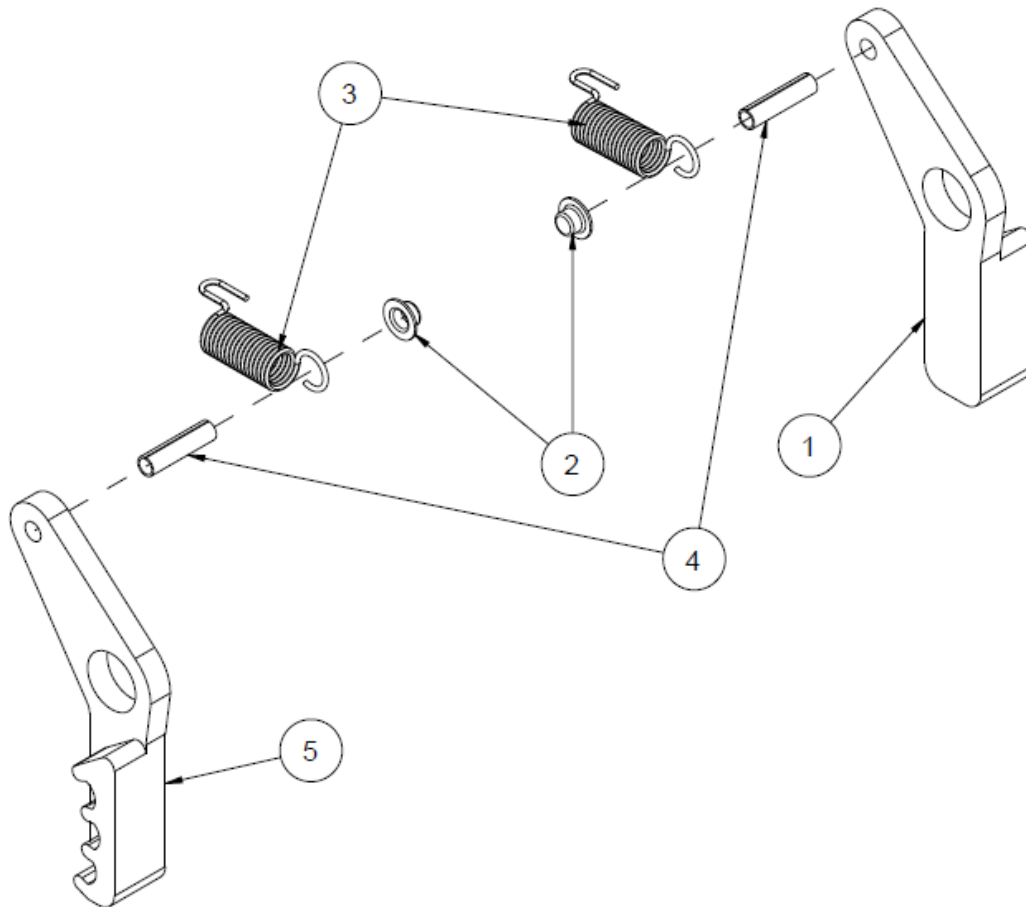
HYDRO GROUP



HYDRO GROUP

ITEM	PART NO.	DESCRIPTION
1	100004	1/4-20 X 1 HHCS
2	100339	1/2-13 X 6 HHCS
3	100340	1/2-13 X 6-1/2 HHCS
4	104255	NUT, NYLOC 1/4-20
5	104259	NUT, NYLOC 1/2-13
6	105257	WASHER, FLAT SAE 5/16
7	105266	WASHER, FLAT SAE 1/2
8	253075	SPACER
9	353126	WHEEL COMPLETE 18-9.5 X 8
10	423284	BRAKE ARM BUSHING
11	423361	OIL FILTER
12	423398	SPRING STRAP
13	423400	CAM SUPPORT
14	423402	CAM ROD RETAINER
15	424061	CW BRAKE CLAW ASSEMBLY - SEE PG 37 FOR EXPLODED VIEW
16	424062	CCW BRAKE CLAW ASSEMBLY - SEE PG 37 FOR EXPLODED VIEW
17	452120	TANK, HYDRO SMALL
18	452133	WHEEL HUB ASSEMBLY
19	453074	ADAPTER 90 DEG 6801-6
20	453075	ADAPTER, 6502-6-6 45 DEG
21	453102	KEY PUMP 5MM
22	453106	SWIVEL TEE F6600-6-6-6
23	453113	ELBOW F6801-8-8
24	453153	WHEEL MOTOR
25	453260	PUMP, RH PG W/FAN
26	453261	PUMP, LH PG W/FAN
27	453301	TUBE, 52 RH A
28	453302	TUBE, 52 RH B
29	453303	TUBE, 52 LH A
30	453304	TUBE, 52 LH B
31	453307	ADAPTER 45 DEG
32	453375	CAP, OIL TANK ICT
33	453381	BRACKET, NEUTRAL SWITCH
34	453383	MT, NEUTRAL SWITCH RH
35	453384	MT, NEUTRAL SWITCH LH
36	543316	SPACER
37	583241	HOSE - PUMP TO PUMP
38	593073	HOSE - RETURN
39	593309	HOSE - PUMP TO FILTER
40	623463	ADAPTER, STR 6400-6-6
41	4807006	SWITCH TRANSMISSION
42	5000001	NUT, LUG
43	5207070	PULLEY, PUMP
44	B5782-850	SCREW, HH M8 X 50
45	B5782-1040	SCREW, HH M10 X 40
46	B5783-820	SCREW, HH M8 X 20
47	B5783-845	SCREW, HH TAP M8 X 45
48	B6182-8	NUT, NYLOC M8
49	B6182-10	NUT, NYLOC M10
50	B84-620	SQ HD SET SCREW M6 X 20
51	B97.1-10	WASHER M10

BRAKE CLAW ASSEMBLY



ITEM	PART NO.	DESCRIPTION
1	422152	CAM CLAW WLD – CW
2	423410	1/4 PAL NUT
3	363155	OPC SRING
4	106334	1/4 X 1 ROLL PIN
5	422154	CAM CLAW WLD - CCW

DECAL GROUP

PART NO.	DESCRIPTION
523493	PRO-52 DECAL
453010	OIL DECAL
363023	DANGER DECAL
363232	ENCORE LOGO
363231	ENCORE LABEL
8304	DECAL, NO STEP
8303	DECAL, CAUTION
8406	DECAL, HEIGHT ADJUSTMENT
8008	DECAL, CAUTION
363243	DECAL, 10" ENCORE
423354	DECAL, CONSOLE
363265	SMALL ENCORE LOGO
453369	DECAL, RAGE
363416	EPA DECAL
453389	FRONT TIRE PRESSURE DECAL
453390	REAR TIRE PRESSURE DECAL



ALL RIGHTS RESERVED

CONTENTS SUBJECT TO CHANGE

ER52FX730V – PARTS MANUAL

STANDON

20131203