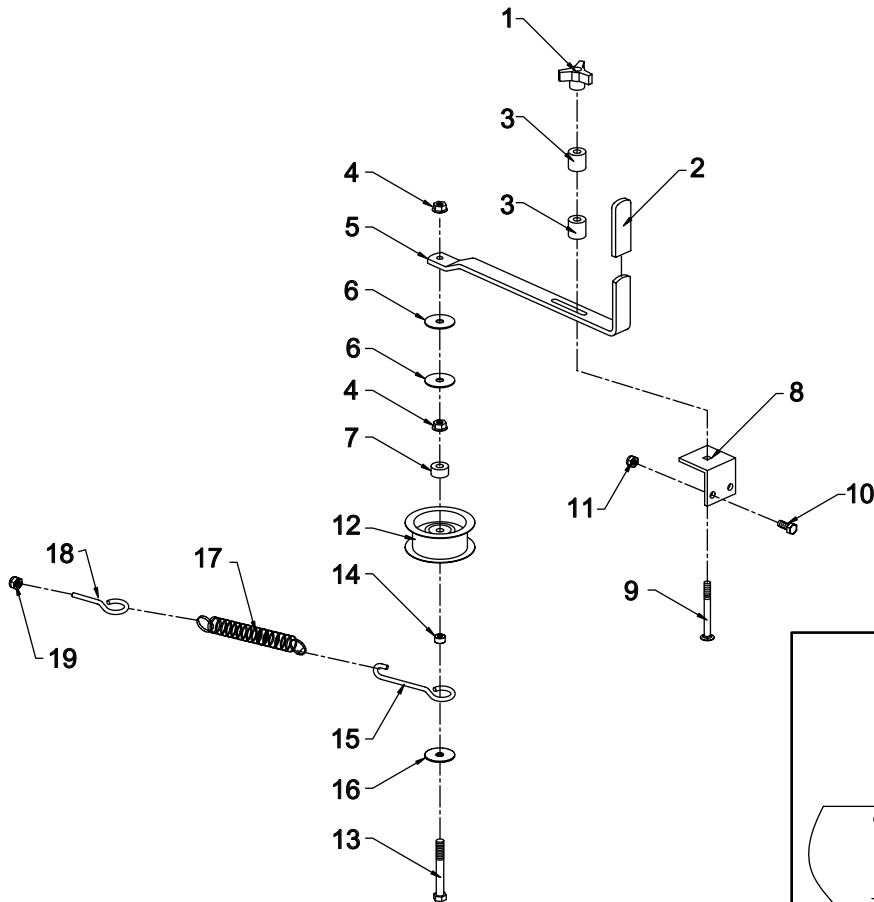
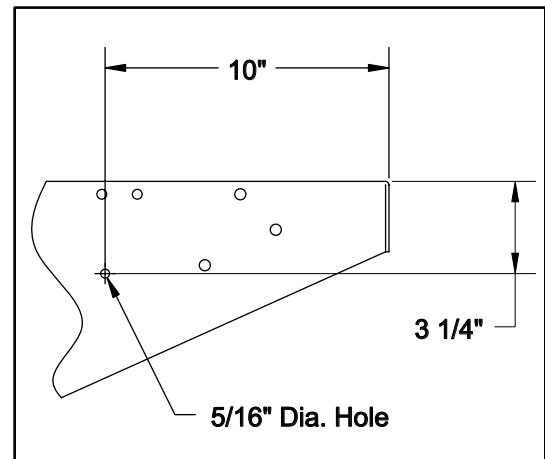


# COLD START KIT

Part Number: 451002



Note: Drill 5/16" Dia. Hole as shown below



## Parts List

| #  | PART NO. | QTY. | DESCRIPTION                  | #  | PART NO. | QTY. | DESCRIPTION       |
|----|----------|------|------------------------------|----|----------|------|-------------------|
| 1  | 753028   | 1    | KNOB                         | 11 | 104256   | 2    | 5/16-18 NYLOC NUT |
| 2  | 363022   | 1    | ADJ. LEVER GRIP              | 12 | 393004   | 1    | PULLEY            |
| 3  | 363041   | 2    | SPACER                       | 13 | 100030   | 1    | 3/8-16 X 3 HTB    |
| 4  | 109007   | 2    | 3/8-16 WHIZLOCK NUT          | 14 | 363174   | 1    | EYE BOLT SPACER   |
| 5  | 453139   | 1    | COLD START LEVER             | 15 | 423122   | 1    | PUMP TENSION ROD  |
| 6  | 483019   | 2    | IDLER WASHER                 | 16 | 105259   | 1    | 3/8" FLAT WASHER  |
| 7  | 483017   | 1    | IDLER SPACER                 | 17 | 553007   | 1    | SPRING            |
| 8  | 453141   | 1    | COLD START ANGLE             | 18 | 363080   | 1    | EYE BOLT          |
| 9  | 107505   | 1    | 5/16-18 X 3" CARR. HEAD BOLT | 19 | 104258   | 1    | 7/16-14 NYLOC NUT |
| 10 | 100271   | 2    | 5/16-18 X 3/4 HHCS           |    |          |      |                   |