

**32" & 36" COMPACT STANDON
REMOTE DISCHARGE CHUTE (RDC)
PARTS & INSTALLATION INSTRUCTION MANUAL**

WORLDLAWN POWER EQUIPMENT, INC.

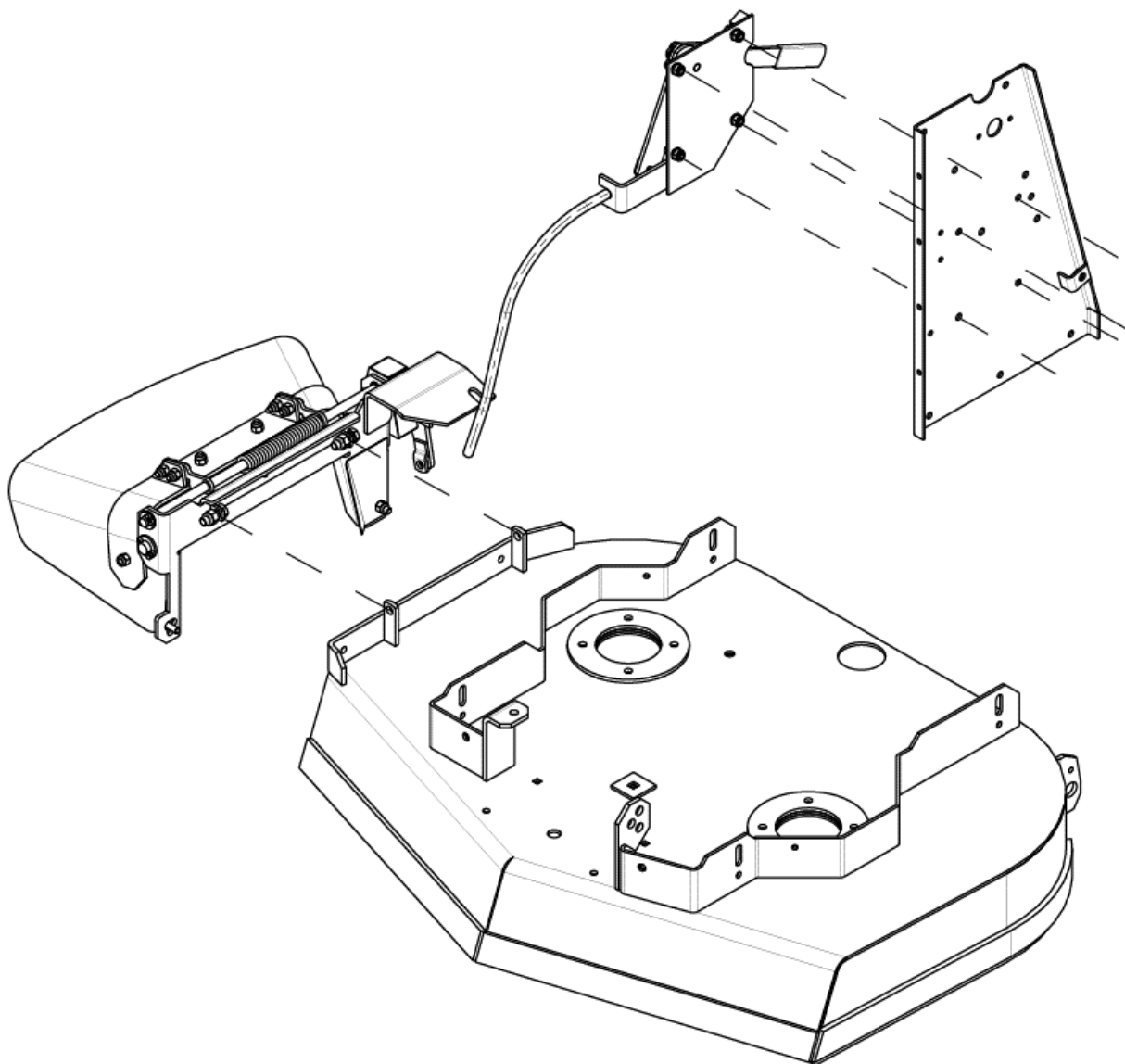
401 COMMERCE STREET

BEATRICE, NE 68310

800-267-4255

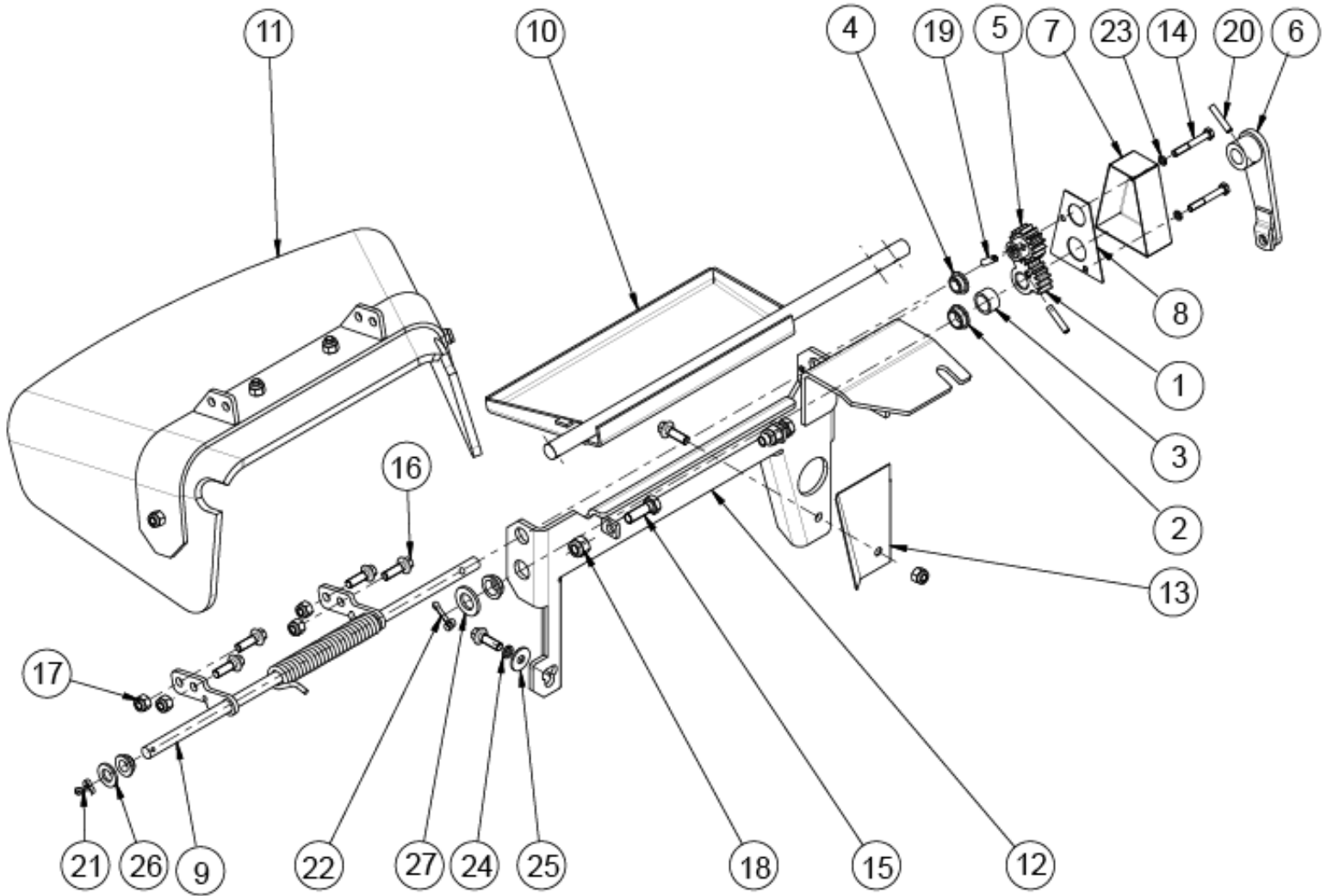
FAX – 402-223-4103

INSTALLATION



1. Remove the discharge deflector chute, (retain the hardware).
2. Attach the RDC chute assembly to the discharge opening using the retained hardware and the hardware supplied (4 plcs).
3. Assemble the RDC lever to the right side of the upper frame using the hardware supplied (4 plcs).
4. Attach the RDC cable to the chute assembly
5. Adjust the conduit of the cable at either end to achieve desired RDC function.

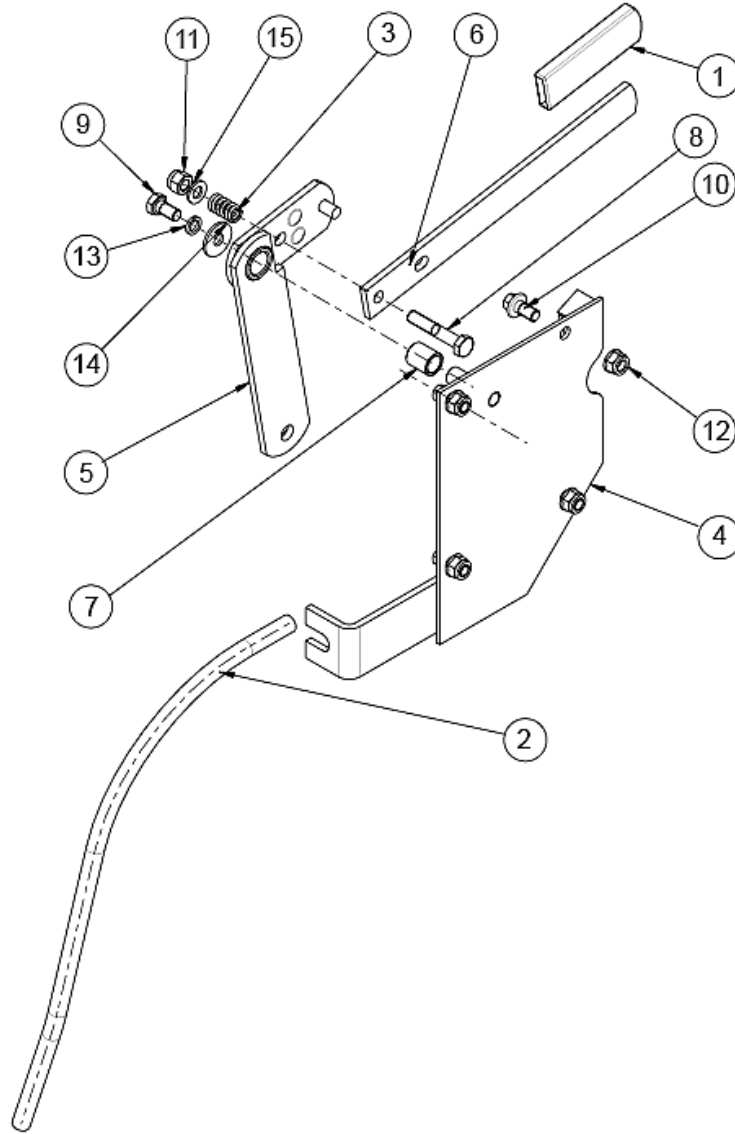
RDC ASSEMBLY



RDC ASSEMBLY

ITEM	PART NO.	DESCRIPTION
1	3602666	BIG GEAR
2	3602673	BUSHING
3	3602676	BUSHING
4	3602677	BUSHING
5	3602792	GEAR
6	4806627	LEVER, GEAR SHAFT
7	5201155	COVER, GEAR
8	5201158	PLATE, GEAR SUPPORT
9	5201320	BRACKET, TORSION SPRING
10	5201330	DOOR, DISCHARGE
11	5201340	DEFLECTOR, DISCHARGE
12	462167-2	WLD, BRACKET, DOOR SUPPORT
13	463324-2	GATE, REAR RDC
14	B5782-645	HEX HD BOLT M6 X 45
15	B5783-1030	HEX HD BOLT M10 X 30
16	B5787-825	SCREW, HH FLANGE M8 X 25
17	B6182-8	NUT, NYLOC M8
18	B6182-10	NUT, NYLOC M10
19	B879-622	ROLL PIN 6 X 22
20	B879-630	ROLL PIN 6 X 30
21	B91-420	COTTER PIN, 4 X 20
22	B91-425	COTTER PIN, 4 X 25
23	B93-6	LOCKWASHER 6
24	B93-8	LOCKWASHER 8
25	B96-8	WASHER 8
26	B97.1-12	WASHER 12
27	B97.1-16	WASHER 16

RDC HANDLE ASSEMBLY



ITEM	PART NO.	DESCRIPTION
1	363022	ADJ. LEVER GRIP
2	463319	CABLE, 36 SO RDC
3	3603204	COMPRESSION SPRING
4	462162-2	WLD, 36 SO RDC HANDLE BRACKET
5	462163-2	WLD, 36 SO RDC HANDLE CRANK
6	463318-1	HANDLE, 36 SO RDC
7	B2685-121618	OILITE BRONZE BEARING 12 X 16 X 18
8	B5782-845	BOLT M8 X 45
9	B5783-816	SCREW, HH TAP M8 X 16
10	B5787-816	SCREW, HH FLANGE M8 X 16
11	B6182-8	NUT, NYLOC M8
12	B6187-8	FLANGED TOPLOCK M8
13	B93-8	LOCKWASHER 8
14	B96-8	WASHER, FLAT 8
15	B97.1-8	WSHER 9

