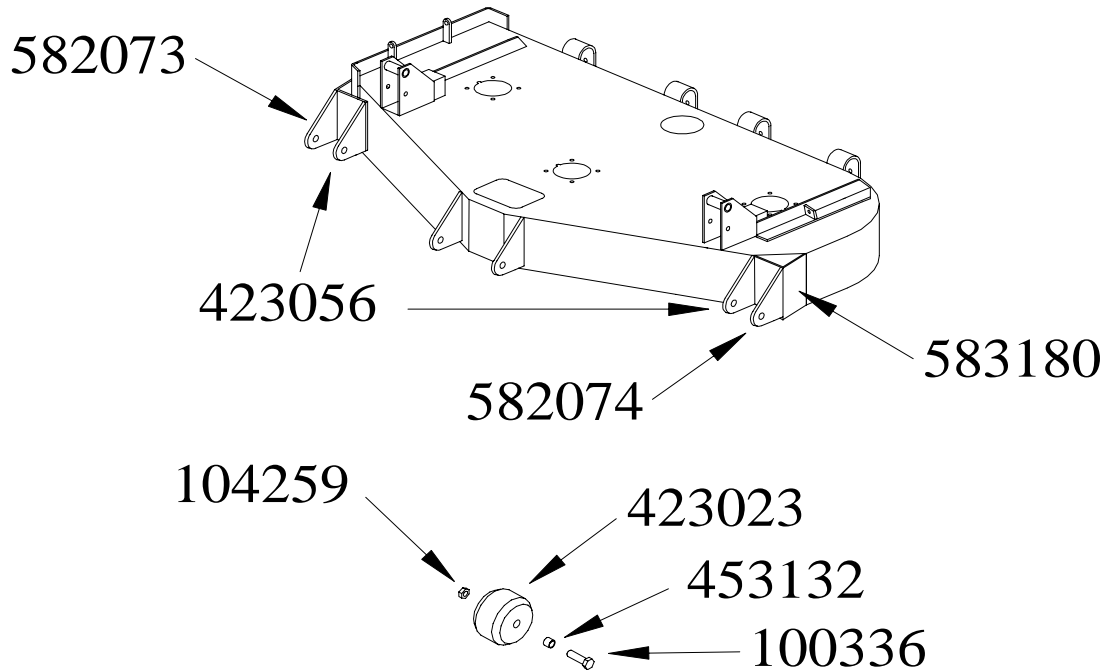




# Anti-Scalp Roller Mounts

## Mount Positioning Diagram

**Details:** The following diagram indicates the locations for mounting the anti-scalp roller brackets along with identifying individual component part numbers.



Part #	Qty	Description
582073	1	Roller Mt Wldmt RH
423056	2	Deck Roller Mt
582074	1	Roller Mt Wldmt LH
583180	1	Roller Mt LH
104259	2	1/2-13 Nyloc Nut
100336	2	1/2-13 x 4-1/2 HHCS
453132	2	Spacer
423023	2	Deck Roller