

Parts Catalog



ENCORE

EA46XS/50XL/60XL

Residential Zero Turn Mower



ENCORE MANUFACTURING.

401 N. Commerce Street, Beatrice, NE 68310

Toll Free Number: 1-800-267-4255

Table of Contents



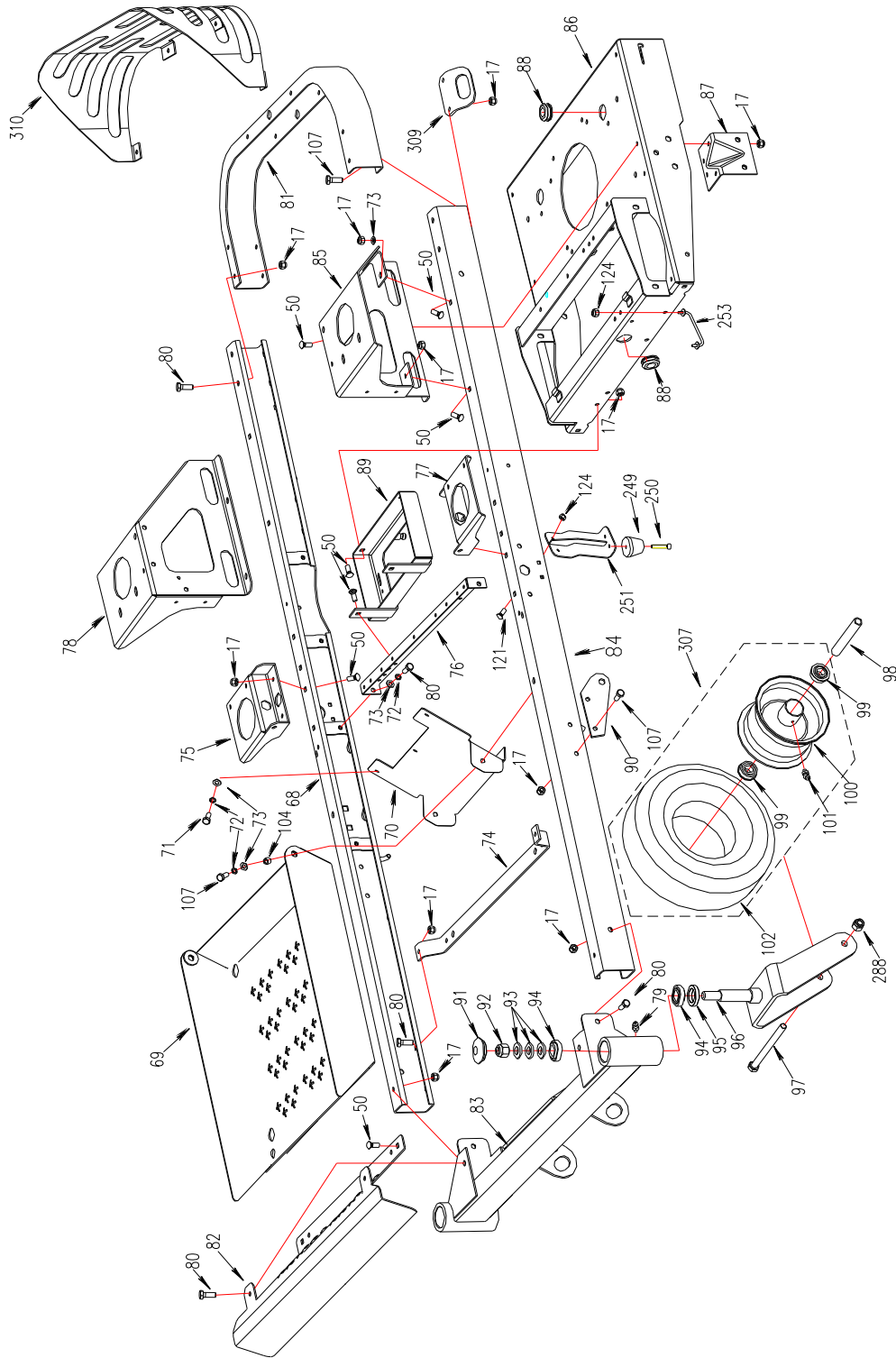
Table of Contents

Mower Deck Assembly.....	1
Front Frame Assembly.....	3
Control Assembly.....	5
Engine System	7
Driving System.....	9
Mower Deck Height Adjustment	10
Fuel Tank Assembly	11
Safety/Operation and Product Decals.....	12
Electrical System	14

Mower Deck Assembly

Ref	P/N	Description	46XS	50XL	60XL	Ref	P/N	Description	46XS	50XL	60XL
1	B5783-616	Hex hd bolt M6×16	×	×	×	40	5001090	Deck Belt Tension Arm	×	×	×
3	4601119	Right Belt Cover	×			41	5201077	Bearing Spacer	×	×	×
	5001016A	Right Belt Cover WLD		×		42	5201064	Tension Pulley	×	×	×
	5001016	Right Belt Cover		×		43	5201078	Bearing Spacer M10	×	×	×
	6011003	Right Belt Cover			×	44	5201062	Tension Pulley Brace	×	×	×
4	5001004	Discharge Chute	×	×	×	45	B5787-1025	Bolt M10X25	×	×	×
5	5001007	Torsion Spring	×	×	×	46	4601002	Blade Drive Belt	×		
6	2802008	Bolt M10*160	×	×	×		5001002	Blade Drive Belt		×	
7	B97.1-10	Flat Washer M10	×	×	×		6011001	Blade Drive Belt			×
8	B6182-10	Locknut M10	×	×	×	47	4601340	Deck Weldment	×	×	×
9	T001126	Asm Floating Roller	×	×	×		5001340	Deck Weldment	×	×	×
10	T001122	Bolt Sleeve	×	×	×		6011040	Deck Weldment	×	×	×
11	B5782-880	Bolt M8*80	×	×	×	48	B5787-10110	Bolt M10×110	×	×	×
12	B97.1-8	Flat Washer M8	×	×	×	49	B5787-1070	Bolt M10×70	×	×	×
14	4806002	Hair Pin	×	×	×	51	5001307	Blade Washer	×	×	×
15	5001331	Bushing 1	×	×	×	52	6011143	Spindle Shaft	×	×	×
16	5001332	Bushing 2	×	×	×	53	B6171-20	Nut M20×1.5	×	×	×
17	B6182-8	Locknut M8	×	×	×	54	5201048	Washer (2)	×	×	×
18	5001304	Front Deck Support Rod	×	×	×	55	4601356	Blade Pulley	×		
19	5001303	Support Rod Pivot Bushing	×	×	×		5001306	Blade Pulley		×	
20	B96-6	Flat washer M6	×	×	×		6011141	Blade Pulley			×
21	B6182-12	Locknut M12	×	×	×	56	5201044	Upper Dust Guard	×	×	×
22	5201291	Bearing Cover	×	×	×	57	B276-6205RS	Bearing 6205-2RS	×	×	×
23	5201012	Idler Pulley	×	×	×	58	5201049	Spindle Bearing Spacer	×	×	×
24	B276-	Bearing 6203-2RS	×	×	×	59	5201050	Spindle Housing	×	×	×
25	B893.1-40	Snap Ring M40	×	×	×	60	B893.1-52	Snap Ring M52	×	×	×
26	5201011	Idler Spacer Bushing	×	×	×	61	5201043	Lower Dust Guard	×	×	×
27	5001005	Deck Stabilizer Rod	×	×	×	63	B1096-B625	Key B6×25	×	×	×
28	B97.1-12	Washer M12	×	×		64	4601001U	Blade	×		
30	B5782-8120	Bolt M8×120	×	×	×		5001001U	Blade		×	
31	5001401	Deck lift Rod	×	×	×		6001004U	Blade			×
32	5001006	Washer M12	×	×	×	65	5201042	Washer (1)	×	×	×
33	5001083	Washer M10	×	×	×	66	B5785-161560	Bolt M16×1.5×60	×	×	×
34	3301003	Olite bronze bushing	×	×	×	67	4601355	Spindle Assembly	×		
35	B1152-6	Grease Fitting M6	×	×	×		5001305	Spindle Assembly		×	
36	5001081	Pivot Tensioner Mount	×	×	×		6011140	Spindle Assembly			×
37	5207015	Tension Spring	×	×	×	280	B6172-12	Locknut M12	×	×	×
38	B5787-1035	Bolt M10×35	×	×	×	281	5201010	Tension Pulley ASM	×	×	×
39	4601120	Left Belt Cover	×			282	5001080	Tension Pulley ASM	×	×	×
	5001017A	Left Belt Cover WLD		×		373	T001120	Anti Scalp Roller ASM	×	×	×
	5001017	Left Belt Cover		×		374	5001330	Anti Scalp Roller ASM	×	×	×
	6011002	Left Belt Cover			×						

Front Frame Assembly





Front Frame Assembly

Ref	P/N	Description	46XS	50XL	60XL	Ref	P/N	Description	46XS	50XL	60XL
17	B6182-8	Locknut M8	x	x	x	93	5002091	Spring washer M16	x	x	x
50	B801-820	Hex Hd Bolt M8x20	x	x	x	94	B297-32922	Bearing 329/22	x	x	x
68	5002335	Right Beam	x	x	x	95	B9877.1-28407	Grease Seal 28x40x7	x	x	x
69	5002355	Foot Plate	x	x	x	96	5002435	Caster Wheel Yoke	x	x	
70	5002305	Panel	x	x	x	97	B5782-12180	Bolt M12x180	x	x	x
71	B5783-816	Hex Hd Bolt M8x16	x	x	x	98	5002324	Caster Wheel Bushing	x	x	
72	B93-8	Split Lock Washer M8	x	x	x	99	5002103	Bearing	x	x	x
73	B97.1-8	Flat Washer M8	x	x	x	100	5002442	Wheel Rim 6x3.2		x	x
74	5002321	Front Supporting Plate	x	x	x		5000050	Wheel Rim 5x3	x		
75	5002017	Front RH Tank Bracket	x	x	x	101	B1153-6	Grease Fitting M6, 45°	x	x	x
76	5002322	Middle Cross Beam	x	x	x	102	5002411	Tire 13x5		x	x
77	5002016	Front LH Tank Bracket	x	x	x		5002101	Tire 11x4	x		
78	5002310	Rear RH Tank Bracket	x	x	x	104	5002007	Bushing	x	x	x
79	B1152-8	Grease Fitting M8x1	x	x	x	107	B5783-825	Hex Hd Bolt M8x25	x	x	x
80	B5783-820	Bolt M8x20	x	x	x	121	B801-616	Hex Hd Bolt M6x16	x	x	x
81	5002323	Rear Guard	x	x	x	124	B6182-6	Locknut M6	x	x	x
82	5002407	Front Bump	x	x	x	249	5201003	Cushion	x	x	x
83	5002425	Front Beam	x	x	x	250	B70-630	Screw M6x30	x	x	x
84	5002330	Left Beam	x	x	x	251	5002365	Deck Stop	x	x	x
85	5002309	Rear LH Tank Bracket	x	x	x	253	5002390	Wire rod welding	x	x	x
86	5002380	Engine Base Weldment	x	x	x	288	B6182-12	Locknut M12	x	x	x
87	5002085	Frame Brace	x	x	x	307	5002445	Front Wheel(White)		x	x
88	4LZ2.16.4-04	Rubber Bushing M29	x	x	x		5002100	Front Wheel(White)	x		
89	5002336	Battery Tray	x	x	x	309	5009026	Fixed Plate	x	x	x
90	5002408	StabilizerArm Mount	x	x	x	310	5002029A	Rear Engine Guard	x	x	x
91	5002020	Cap,Dust	x	x	x						
92	B6184-16	Nut M16	x	x	x						

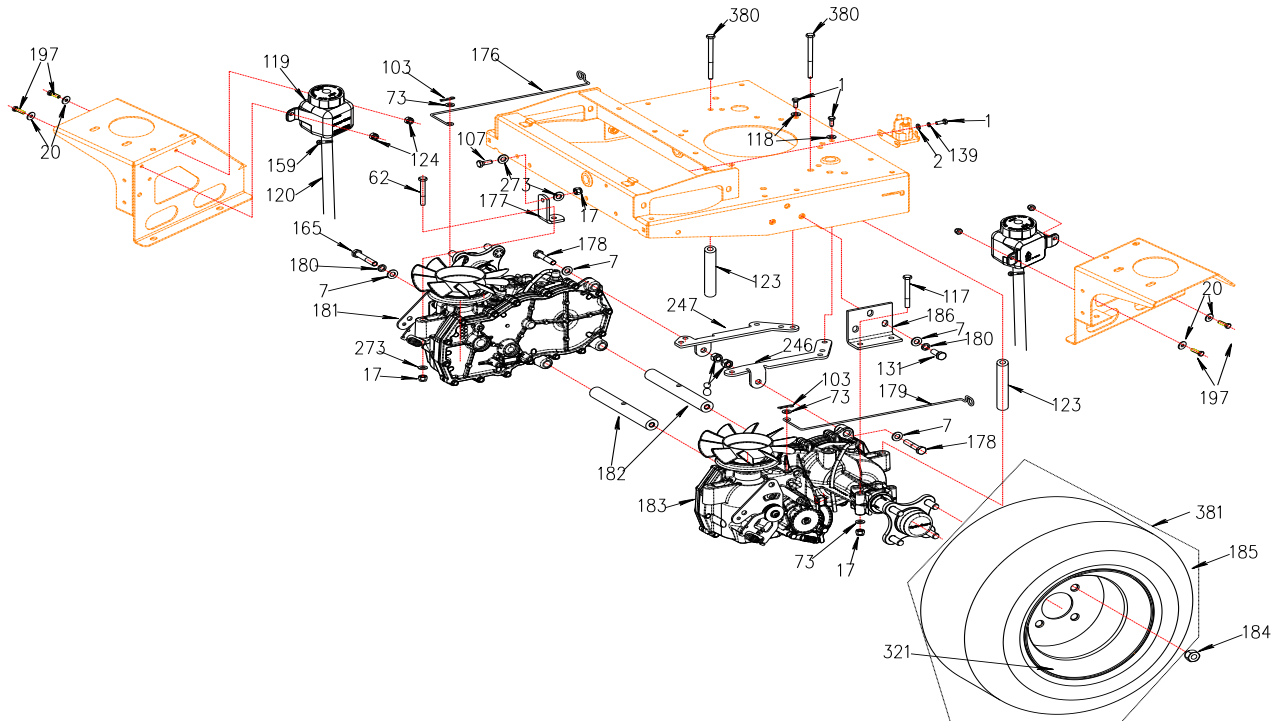
Control Assembly

Ref	P/N	Description	46XS	50XL	60XL	Ref	P/N	Description	46XS	50XL	60XL
2	B97.1-6	Flat Washer M6	×			131	B5783-1025	Bolt M 10×25	×	×	×
8	B6182-10	Locknut M 10	×	×	×	132	3300106/10027	Bolt 5/16-18×3/4	×	×	×
17	B6182-8	Locknut M8	×	×	×	133	5002140A	Left Handle	×	×	×
35	B1152-6	Grease Fitting M6	×	×	×	134	5002341	LH Handle Mount	×	×	×
50	B801-820	Hex Hd Bolt M8×20	×	×	×	135	5002032	Left Switch Bracket	×	×	×
72	B93-8	Split Lock Washer M8	×	×	×	136	5002131	Left Control Link	×	×	×
73	B97.1-8	Flat Washer M8	×	×	×	137	5002009	Axle Pin 2	×	×	×
80	B5783-820	Bolt M8×20	×	×	×	138	B6170-6	Nut M6	×		
103	XSZ56-1-17	Hair Pin	×	×	×	139	B93-6	Lock Washer M6	×		
105	5002145A	Right Handle	×	×	×	257	5002270	Pad	×	×	×
106	5002034	Handle Grip	×	×	×	258	5002260	Brake Tension Spring	×	×	×
107	B5783-825	Hex Hd Bolt M8×25	×	×	×	260	5002111	Pivot Shaft	×	×	×
108	5002343	RH Handle Mount	×	×	×	261	5002347	Spring Bracket RH	×	×	×
109	5002138	RH Control link	×	×	×	262	5002118	Torsion Spring, RH	×	×	×
110	5002008	Shoulder Pin	×	×	×	263	B2685-121618	Oilite Bronze Bearing	×	×	×
111	B6170-8	Locknut M8	×	×	×	264	B861.1-6	Washer M6	×	×	×
112	5002134	Neutral Buckle M8	×	×	×	265	5002120	Pivot Block Weldment	×	×	×
113	5002135	Screw M8	×	×	×	266	5002344	Right Brake Panel	×	×	×
114	SIBJK 8T	Rod End Bearing	×	×	×	267	5002112	Operating Pin Roll	×	×	×
115	B5783-840	Hex Hd Bolt M8×40	×	×	×	268	2806061	Washer M 12	×	×	×
116	5205012	Damper	×	×	×	269	B897-520	Pin 5×20	×	×	×
122	5002350	Control Panel Mount	×	×	×	270	5002113	Pole	×	×	×
124	B6182-6	Locknut M6	×			271	5002114	Spring	×	×	×
125	5002031	Right Switch Bracket	×	×	×	272	B308-4	Steel Ball SR4	×	×	×
126	5002210	Brake Cable	×	×	×	273	2800006	Flat Washer M8	×	×	×
127	5002005	Cable Mount Bracket	×	×	×	274	5002345	Spring Bracket LH	×	×	×
128	5002026	Brake Adjustment Link	×			275	5002117	Torsion Spring, LH	×	×	×
129	5000098	Seat	×	×	×	276	5002342	Left Brake Panel	×	×	×
130	5000081A	Seat Plate	×	×	×	287	5000002	Seat Pull Rod	×	×	×

Ref	P/N	Description	46XS	50XL	60XL
8	B6182-10	Locknut M10	×	×	×
12	5201061	Washer	×	×	×
13	B5782-10100	Bolt M10×100	×	×	×
17	B6182-8	Locknut M8	×	×	×
73	B97.1-8	Flat Washer M8	×	×	×
107	B5783-825	Hex Hd Bolt M8×25	×	×	×
140	3302190	Three-Arm Knob	×	×	×
141	5002385	Fan Cover	×	×	×
142	B62-6	Nut M6	×	×	×
143	3203004	Battery Strap	×	×	×
144		Battery	×	×	×
145	5203045	Spring Cover	×	×	×
146	5002022	Spring	×	×	×
147	B5783-835	Hex Hd Bolt M8×35	×	×	×
	5203435	Bolt 3/8-16UNC×1-1/2		×	×
148	5002371	Clutch Stop Spacer	×	×	×
149	5203408	Washer	×	×	×
150	5203411	Clutch Stop Strap	×	×	×
151	5203410	Rubber Washer M17	×	×	×
152	5203409	Bushing	×	×	×
153	B5782-890	Hex Hd Bolt M8×90	×	×	×
154	B5783-835	Hex Hd Bolt M8×35	×	×	×
155	3607002	Bushing	×	×	×
156	5002152	Pump Drive Pulley	×	×	×
157	5203405	Key 6.35×25	×	×	×
158	463564	Clutch	×		
	4804005A	Clutch		×	×
160	5203412	Bolt 7/16-20UNF×3	×	×	×

Ref	P/N	Description	46XS	50XL	60XL
161	5002160	Tension Pulley Assembly	×		
	6012010	Tension Pulley Assembly		×	×
162	4806004	Idler Spring	×	×	×
163	5002004	Pump Drive Belt	×		
	6012004	Pump Drive Belt		×	×
164	5208203	hook rod	×	×	×
165	B5782-1060	Bolt M10×60	×	×	×
166	5002175	Tension Idler	×	×	×
167	B276-6303RS	Bearing 6303-2RS	×	×	×
168	B893.2-47	Snap Ring M47	×	×	×
169	5002161	Spacer	×	×	×
170	5002165	Idler Fixed seat	×		
	6012011	Idler Fixed seat		×	×
171	5002164	Padding block	×	×	×
172	B2685-202420	Bearing 20×24×20	×	×	×
173	5002163	Pivot Bushing	×	×	×
174	3307004	Washer M11	×	×	×
175		Kawasaki FR651V	×		
		Kawasaki FR691V		×	×
187	3601020	Clamp	×	×	
273	2800006	Flat Washer M8	×	×	×
285	5203420	Oil Drain Hose	×	×	×
286	3302058	Washer M10	×	×	×
290	5002268	Muffler(Kawasaki FR)	×	×	×

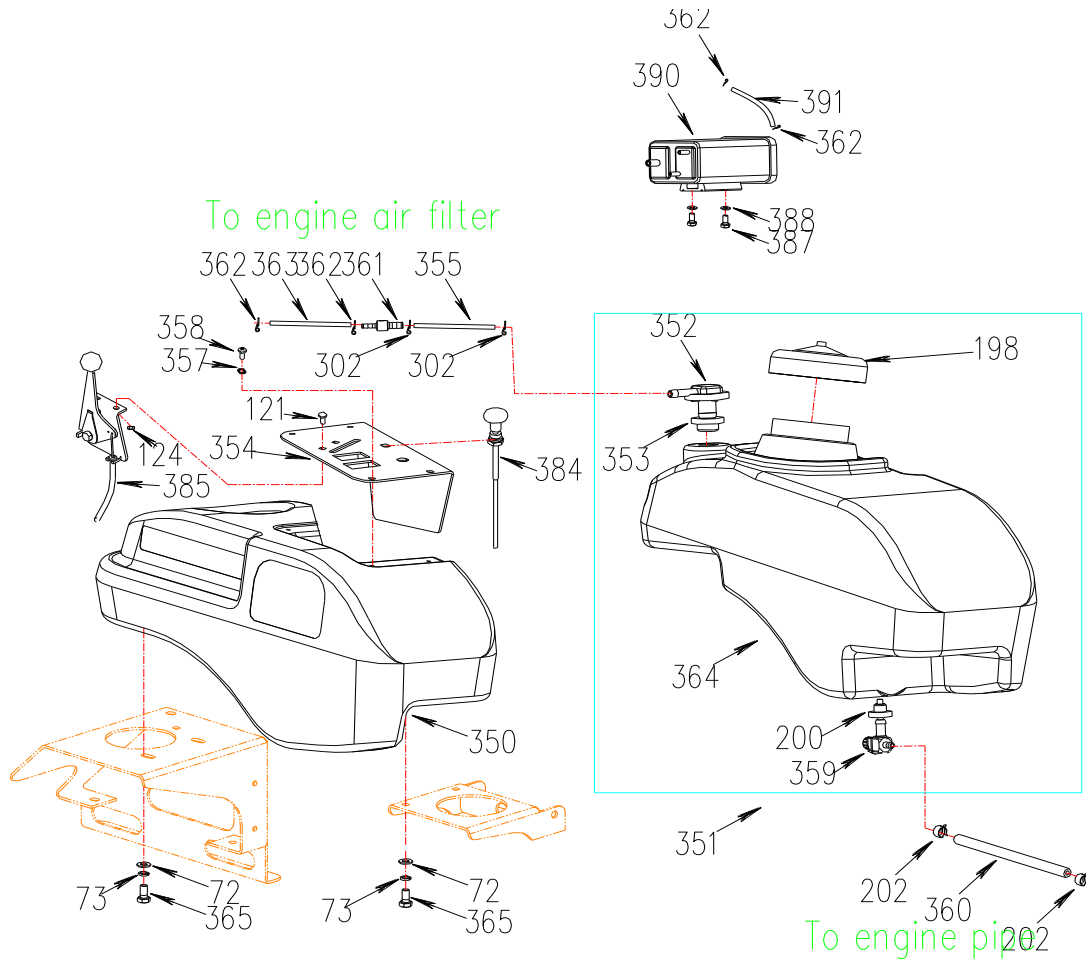
Driving System



Ref	P/N	Description	46XS	50XL	60XL
1	B5783-616	Hex hd bolt M6×16	×	×	×
2	B97.1-6	Flat Washer M6	×	×	×
7	B97.1-10	Flat Washer M10	×	×	×
17	B6182-8	Locknut M8	×	×	×
20	B96-6	Flat washer M6		×	×
62	B5782-860	Bolt M8×60	×	×	×
73	B97.1-8	Flat Washer M8	×	×	×
103	XSZ56-1-17	Hair Pin	×	×	×
107	B5783-825	Hex Hd Bolt M8×25	×	×	×
117	B5782-870	Bolt M8×70	×		
	B5782-880	Bolt M8×80		×	×
118	2802183	Washer M6	×	×	×
119	6012021	Oil Tank		×	×
120	6012022	HOSE		×	×
123	6012005	Spacer Bushing		×	×
124	B6182-6	Locknut M6		×	×
131	B5783-1025	Bolt M10×25	×	×	×
139	B93-6	Lock Washer M6	×	×	×
159	B8870-20	Hose Clamp 12-20		×	×
165	B5782-1060	Bolt M10×60	×	×	×
176	5002024	Release, Hydro RH	×		
	6012009	Release, Hydro RH		×	×
177	5002012	Fixed Plate, Front	×	×	×

Ref	P/N	Description	46XS	50XL	60XL
178	B5782-1050	Bolt M10×50	×		
179	5002023	Release, Hydro LH	×		
	6012008	Release, Hydro LH		×	×
180	B93-10	Washer M10	×	×	×
181	5002011	Right Drive Axle	×		
	6012014	Right Drive Axle		×	×
182	5002087	Axle	×		
	6012020	Axle		×	×
183	5002010	Left Drive Axle	×		
	6012013	Left Drive Axle		×	×
184	5000001/103023	Nut 1/2-20UNF	×	×	×
185	5000056	Tire 20×10-8		×	×
	5000051	Tire 18×9.5-8	×		
186	5002013	Outer Axle Bracket	×	×	×
197	B5783-620	Bolt M6×20		×	×
246	5002014	LH Inner Axle Bracket	×	×	×
247	5002015	RH Inner Axle Bracket	×	×	×
273	2800006	Flat Washer M8	×	×	×
380	B5782-8130	Bolt M8×130		×	×
321	5000052	Rim 8×7	×	×	×
381	5000060	Drive Wheel 20×10-8		×	×
	5000050	Drive Wheel 18×9.5-8	×		

Fuel Tank Assembly



Ref	P/N	Description	46XS	50XL	60XL
72	B93-8	Split Lock Washer	×	×	×
73	B97.1-8	Flat Washer M8	×	×	×
198	363413	Fuel Tank Cap	×	×	×
200	3307023B/53312	Fuel Tank	×	×	×
202	B8870-16	Hose Clamp 10-16	×	×	×
302	12105-1P68FS-0000	Flexible Clamp	×	×	×
350	823374	Fender	×	×	×
351	822153	Fuel Tank ASM	×	×	×
352	593370	vent valve	×	×	×
353	363412	seal ring	×	×	×
354	5000152A	Control Panel	×	×	×
355	5000140	Fuel Line (Φ8.5×	×	×	×
357	B861.1-5	Washer	×	×	×
358	5000129	Bolt 10-24UNC×	×	×	×
359	393044	SHUT-OFF	×	×	×

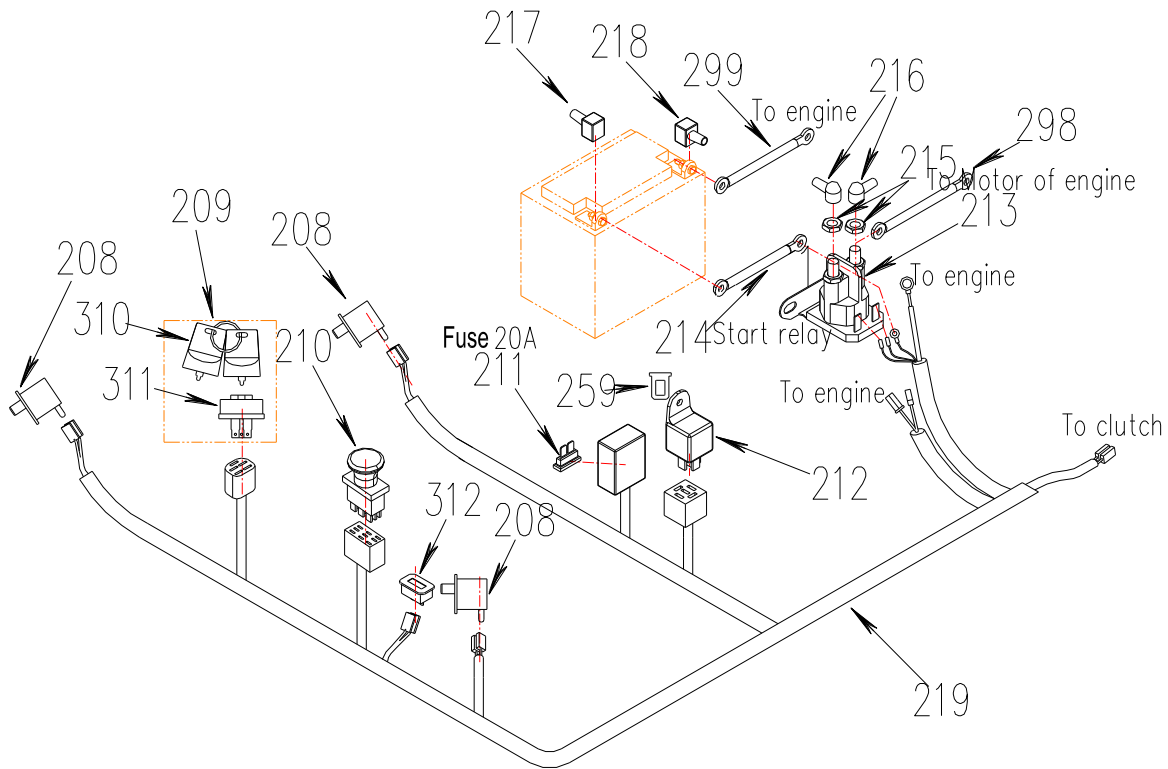
Ref	P/N	Description	46XS	50XL	60XL
360	5000144	Fuel Line		×	×
	5000141	Fuel Line	×	×	×
361	5000130	Adaptor	×	×	×
362	3307041	Clamp	×	×	×
363	5000142	Fuel Line	×	×	×
	5000143	Fuel Line		×	×
364	5000151A	Fuel Tank	×	×	×
365	4802012/10027	Bolt 5/16-UNC×3/4	×	×	×
384	4806020	Chock Cable	×	×	×
385	2806005	Throttle Control	×	×	×
387	B5783-616	Bolt M6× 16	×	×	×
388	B97.1-6	Flat Washer M6	×	×	×
390	5002438	Carbon canister	×	×	×
391	5000145	Pipe	×	×	×
121	B801-616	Bolt M6× 16	×	×	×
124	B6182-6	Nut M6	×	×	×

<p>220</p>	<p>221</p>	<p>FUSE BLOCK 8509</p> <p>222</p>	<p>223</p>	<p>233</p>	<p>236</p>	
<p>245</p>	<p>PRO 60</p> <p>227</p>	<p>229</p>	<p>228</p>	<p>230</p>		
<p>238</p>		<p>241</p>	<p>CAUTION DO NOT OPERATE WITHOUT GUARD IN PLACE</p> <p>225</p>			
<p>PRO 50</p> <p>240</p>	<p>235</p>		<p>WARNING DO NOT OPERATE WITHOUT DISCHARGE DEFLECTOR, ENTIRE GRASS COLLECTION SYSTEM, OR MULCH KIT IN PLACE. DO NOT REMOVE GRASS CATCHER UNTIL BLADES HAVE STOPPED.</p> <p>234</p>			
<p>224</p>					<p>EMISSION CONTROL INFORMATION JIANGSU WORLD PLANT-PROTECTING MACHINERY CO.,LTD THIS EQUIPMENT MEETS U.S. EPA EVAP STANDARDS EQUIPMENT FAMILY NAME:JWPPPH0002</p> <p>226</p>	
<p>CAUTION</p> <ul style="list-style-type: none"> Loose or Damaged Blade Bolt may allow blade to come out from under deck at HIGH SPEED. Replace Blade Bolt after striking a foreign object. Torque Blade Bolt to 115-120 FT-LBS(158-163N m). <p>SEE OPERATOR'S MANUAL</p> <p>242</p>		<p>DANGER COVER IS MISSING, DO NOT OPERATE THIS UNIT WHEN COVER IS NOT IN PLACE.</p> <p>243</p>		<p>DANGER</p> <p>To avoid serious injury or death: Avoid blades unless engine and blades are stopped.</p> <p>237</p>		
<p>ENCORE 244/246/247</p>		<p>248</p>				

Safety/Operation and Product Decals



Ref	P/N	Description	46XS	50XL	60XL	Ref	P/N	Description	46XS	50XL	60XL
220	8312A	Decal, Ignition	x	x	x	234	8307	Discharge Warning	x	x	x
221	8314	Decal		x	x	235	8519	Operational Warning	x	x	x
222	8509	Fuse Decal	x	x	x	236	8512	Motion Control RH	x	x	x
223	8507	Decal, Throttle		x	x	237	8325	Danger Blades	x	x	x
224	8085	ARROW Decal	x	x	x	238	8515	Rotating Parts	x	x	x
						239	8501	International Logo	x	x	x
225	8303	Caution Guard	x	x	x	240	353266	Decal Pro50		x	
226	8602	EPA Decal	x	x	x	241	8511	Deck Belt Routing	x	x	x
227	353267	Decal Pro 60			x	242	8308	Shield Warning	x	x	x
228	8517	Cutting Height Locator	x	x	x	243	8305	Danger Foot Plate	x	x	x
229	8603	Transaxle Release LH	x	x	x	244	543504	ENCORE Decal-front beam	x	x	x
230	8604	Transaxle Release RH	x	x	x	245	8510	Cutting Height Outer	x	x	x
231		Serial Number Plate	x	x	x	246	543470	ENCORE Decal-seat	x	x	x
232	353265	Decal Pro46	x			247	363243	ENCORE Decal-Fuel tank	x	x	x
233	8508	Motion Control LH	x	x	x	248	543406	ENCORE LOGO-fuel tank	x	x	x



Ref	P/N	Description	46XS	50XL	60XL	Ref	P/N	Description	46XS	50XL	60XL
208	5008003	Plunger Switch	x	x	x	218	3312031	Battery Boot (Negative)	x	x	x
209	5208070	Ignition Switch ASM	x	x	x	219	5008021A	Wiring Harness	x	x	x
210	5208022	Blade Control Switch	x	x	x		5008061	Wiring connection	x	x	x
211	5208007	Fuse 20A	x	x	x	259	5008012	Bracket of Relay	x	x	x
212	5008011	12V Relay	x	x	x	299	5008008	Negative Cable	x	x	x
213	463234	Start-up Relay	x	x	x	298	5008006	Wire to Motor	x	x	x
214	5008004	Positive Cable/Power	x	x	x	310	5208072	Ignition key	x	x	x
215	5008005	Nut 5/16-24UNF	x	x	x	311	5208071	Ignition Switch	x	x	x
216	2808107	Relay Cable Cover	x	x	x	312	523283	Hour Meter	x	x	x
217	3312032	Battery Boot (Positive)	x	x	x						



ENCORE

ENCORE MANUFACTURING

A DIVISION OF WORL DLAWN POWER EQUIPMENT, INC

401 COMMERCE STREET BEATRICE, NE 68310

800-267-4255 FAX: 402-223-4103

ENCOREEQUIPMENT.COM

PRINT 201803