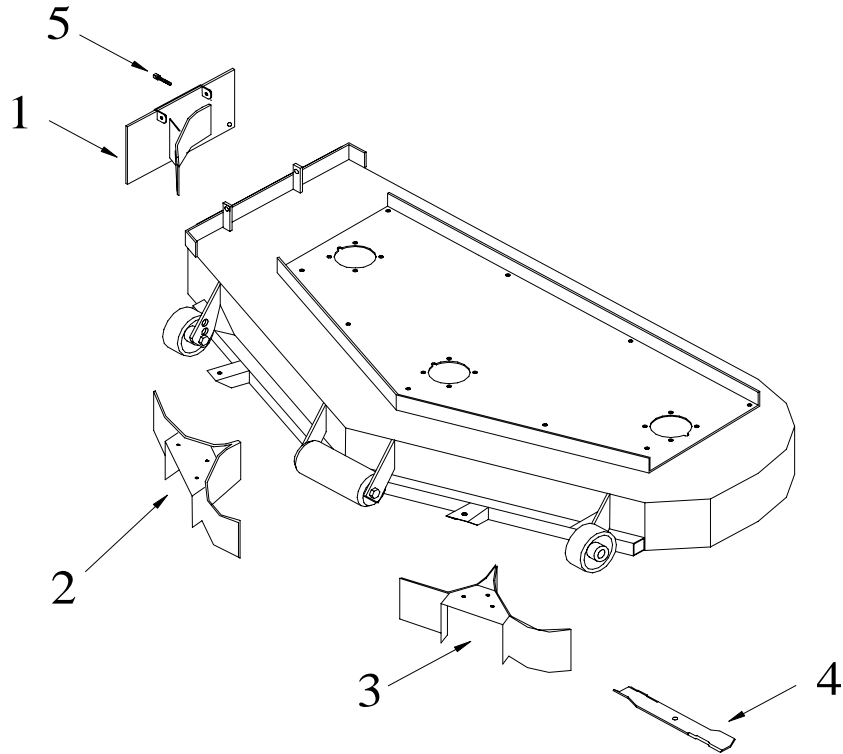




72" Prowler Mulch Kit

(part # 591022)

Installation Diagram



Details: When installing underneath baffles, hold baffle in position to mark location for holes. Use an 11/32" drill bit to drill holes for baffles. Fasten baffles to deck using 5/16 x 1" HHCS and 5/16" Nyloc Nuts found in bolt bag. Remove deflector chute from discharge opening. Re-use 5/16 x 1" HHCS and 5/16" Nyloc Nuts from deflector chute to mount the mulch discharge cover to the discharge opening. Using the existing hole found in lower rear corner of mulch discharge cover as a guide, drill hole into deck shell with an 11/32" drill bit. Fasten corner of mulch discharge cover to deck shell using 5/16 x 1" HHCS and 5/16" Nyloc Nut. Install mulch blades.

Item #	Qty	Part #	Description
1	1	592110	DISCHARGE COVER
2	1	592114	RH MULCH BAFFLE
3	1	592112	LH MULCH BAFFLE
4	3	593218	25" MULCH BLADE
5	7	100273	5/16-18 X 1" HHCS
N/A	7	104256	5/16"-18 NYLOC NUT