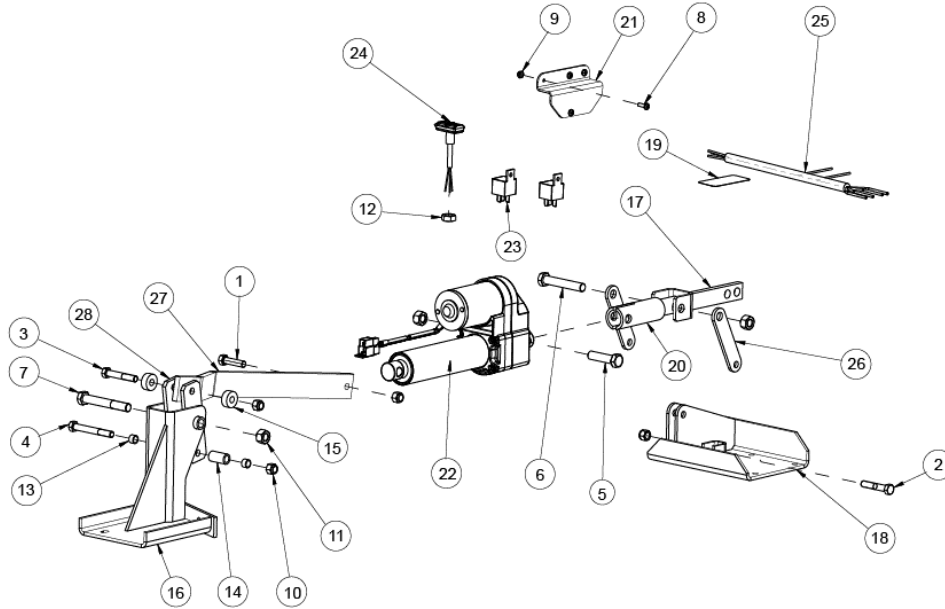




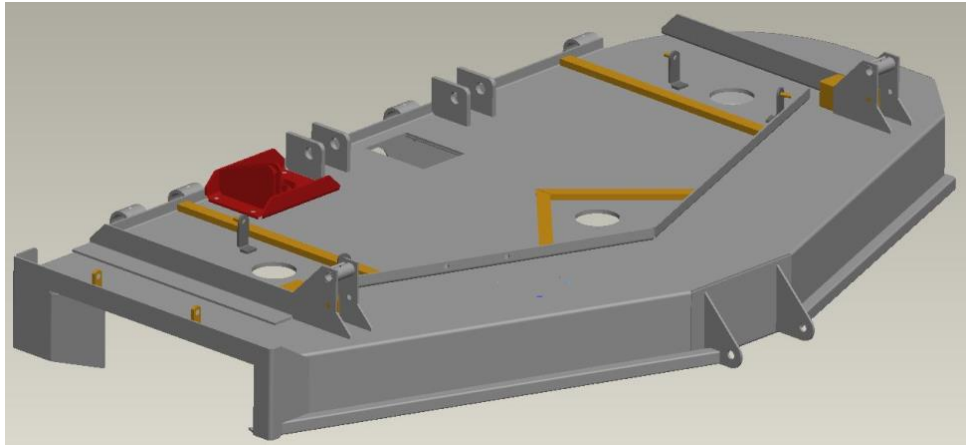
72" MID CUT ELECTRIC LIFT
CONVERSION KIT 592142
PARTS LIST



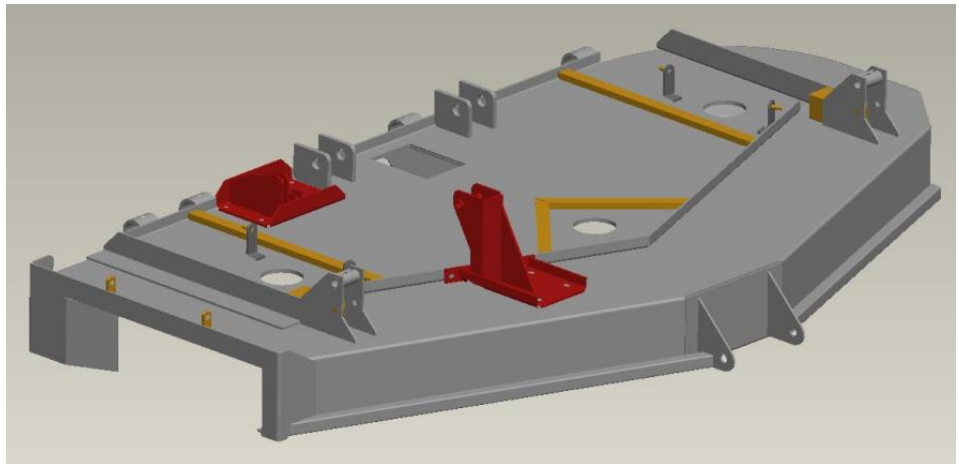
ITEM	PART NO.	DESCRIPTION	QTY
1	100294	3/8-16 X 1-1/2 HHCS	1
2	100296	3/8-16 X 2 HHCS	1
3	100297	3/8-16 X 2-1/4 HHCS	1
4	100300	3/8-16 X 3 HHCS	1
5	100329	1/2-13 X 2 HHCS	1
6	100333	1/2-13 X 3 HHCS	1
7	100334	1/2-13 X 3-1/2 HHCS	1
8	101039	#10-24 X 5/8 MACH SCREW	4
9	104252	#10-24 HEX NYLOC NUT	4
10	104257	3/8-16 HEX NYLOC NUT	4
11	104259	1/2-13 HEX NYLOC NUT	3
12	104755	1/2-20 HEX JAM NUT	1
13	363174	EYEBOLT SPACER	2
14	393070	DRIVE IDLER BUSHING	1
15	483017	RH IDLER SPACER	2
16	582182	MC LIFT RISER WELDMENT	1
17	582217	E.L. RAM	1
18	582220	E.L. PIVOT BRACE MT - PNTD	1
19	583232	UP/DOWN DECAL	1
20	583236	ACTUATOR EXT.	1
21	583238	RELAY MOUNT	1
22	583294	ELECTRIC ACTUATOR	1
23	583351	ELECTRIC LIFT RELAY	2
24	583411	ELECTRIC LIFT SWITCH	1
25	583412	ELECTRIC LIFT HARNESS	1
26	583499	E.L. PIVOT ARM	2
27	583527	E.L. LIFT BRACE	1
28	583529	E.L. FRONT BRACE MT. PLTD.	2

72 ELECTRIC LIFT CONVERSION

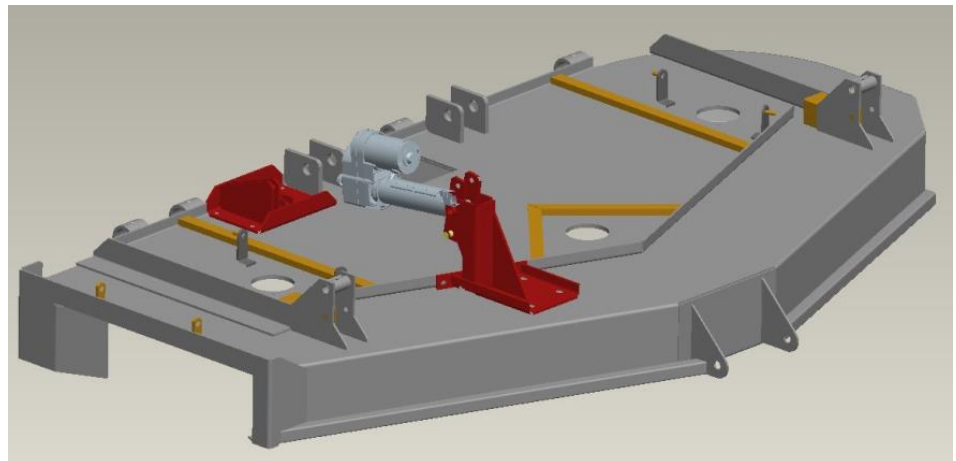
1. Safely block the deck high enough to allow access to the underside.
2. Remove the entire foot-lift system, retaining the mounting hardware for reassembly.
3. Install the rear pivot brace mount (15) to the rear of the deck, where the arm pivot mount was, using the same hardware.



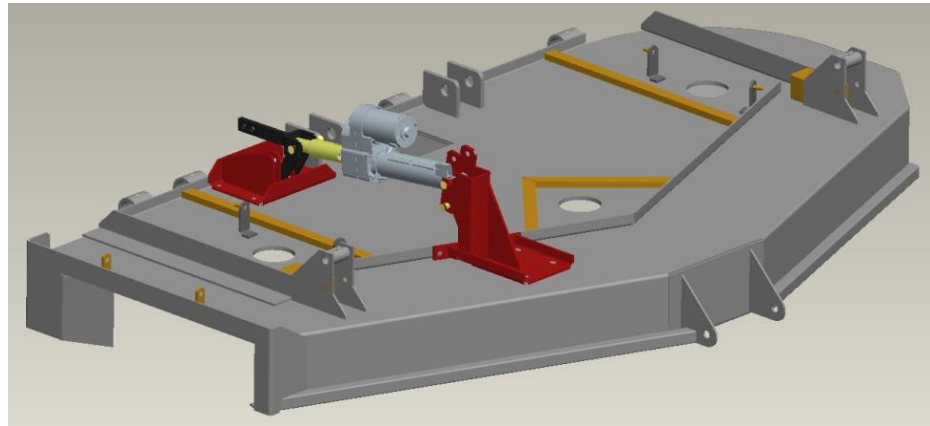
4. Install the front riser (13) to the front of deck where the cut height pivot mount was, using the same hardware.



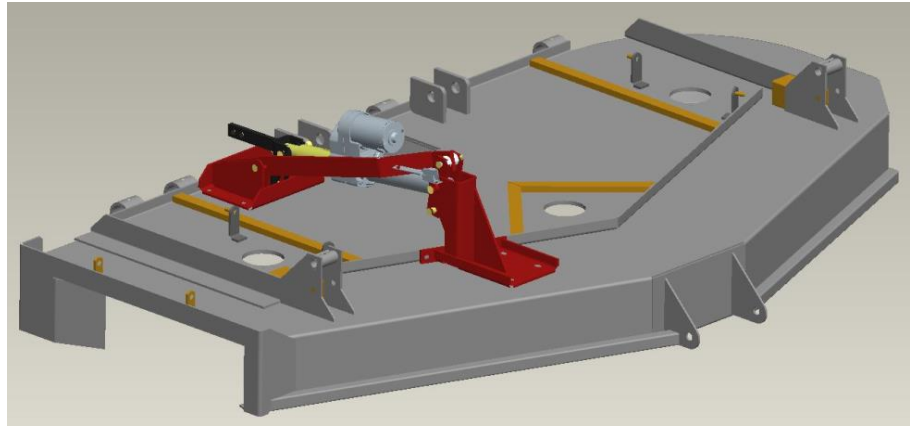
5. Assemble the front of the actuator to the riser using the 1/2 x 3 1/2 bolt and nylock nut.



6. The back of the actuator will be supported by the pivot arms (18) on either side of the E.L. ram (14), the lower holes in the arms are connected to the pivot bracket.

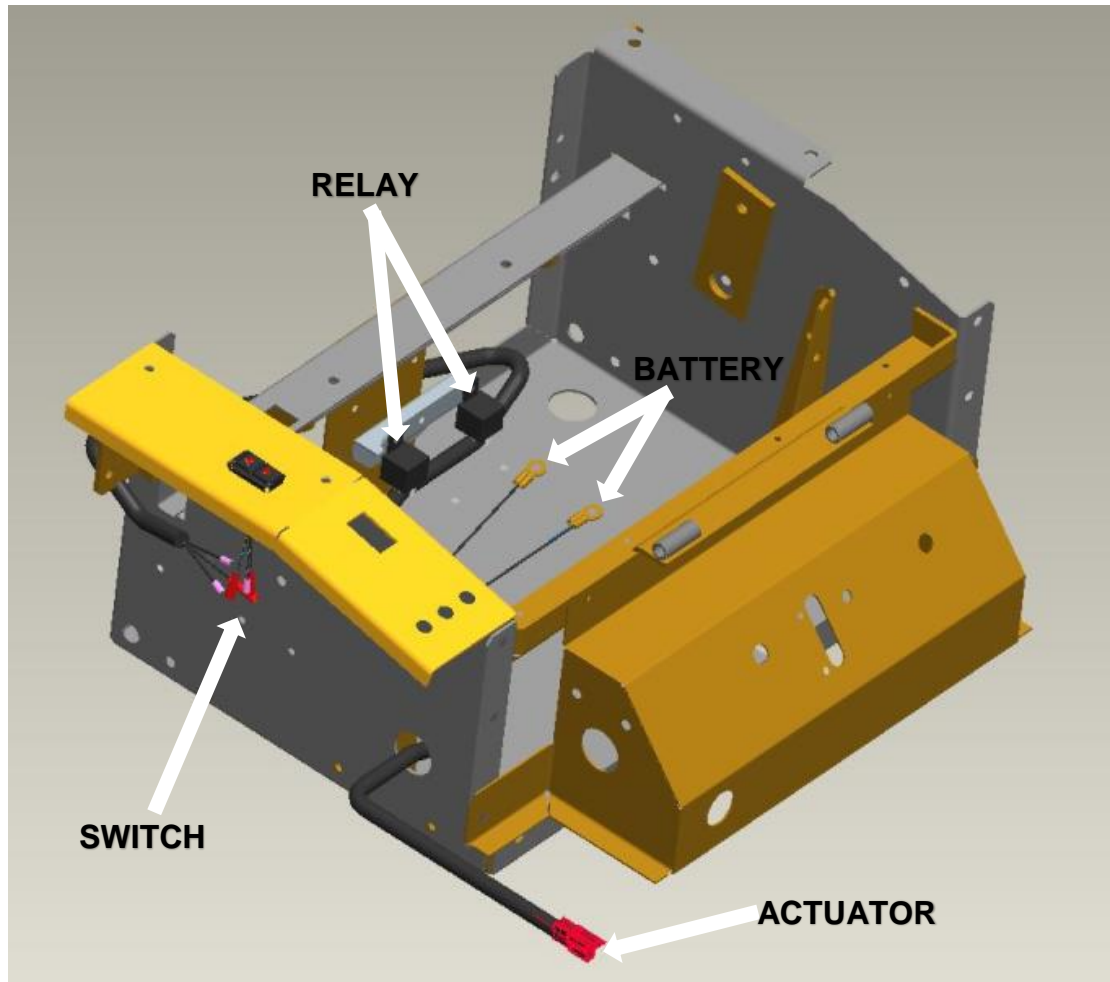


7. Install the brace strap (19) between the rear bracket (15) and the top hole in the riser pivot arms (20), using the 3/8 x 2 and a nylock nut at the rear and 3/8 x 2 1/4 and a nylock nut in the front



8. Install the lift wire harness:

- a. Plug the relays into the harness, mount the relays and fuse to the relay mount (#21).
- b. Assemble the relay mount to the back / inside of the seat frame.
- c. Route the wire harness to the right side of the seat frame, the actuator leads will run along the outside



bottom of the seat frame using the cable clamp on one of the seat frame bolts to hold it in place.

- d. Remove the right seat frame panel (leaving the light wires connected, remove the plug in the center of the panel (this 1/2" hole will be used for the lift switch))
- e. Install the lift switch, securing with the 1/2" fine treaded nut.
- f. Plug the switch into the harness following the color codes, reinstall the panel, plug the wire harness into the actuator plug.
- g. Connect the power wires to the battery (black to ground)

9. Attach the lift ram to the rear lift tube.