



TRACER

PARTS MANUAL

**ET60CT656SD
ET60CT656SDCA
ET72CT724RD
ET72CT724RDCA**



**A DIVISION OF
WORLDLAWN POWER EQUIPMENT, INC.**

WWW.ENCOREEQUIPMENT.COM

401 COMMERCE STREET

BEATRICE, NE 68310

800-267-4255

FAX – 402-223-4103

Contents

60" WHEEL ASSEMBLY	7
72" WHEEL ASSEMBLY	8
60" FRAME ASSEMBLY	9
72" FRAME ASSEMBLY	11
TONGUE ASSEMBLY.....	13
60" SD DECK LIFT ASSEMBLY.....	15
72" RD DECK LIFT ASSEMBLY.....	17
60" SD DECK ASSEMBLY	19
72" RD DECK ASSEMBLY	22
60" SD SPINDLE HOUSING ASSEMBLY	25
72" RD SPINDLE HOUSING ASSEMBLY	26
60" SD DECK IDLER ASSEMBLY.....	28
72" RD DECK IDLER ASSEMBLY	29
DECK PULLEY ASSEMBLY.....	30
72" RD IDLER ARM ASSEMBLY	31
6" GROOVE PULLEY ASSEMBLY.....	32
CONSOLE ASSEMBLY	33
ENGINE ASSEMBLY - CT656	34
ENGINE ASSEMBLY – CT724.....	36
BATTERY GROUP	38
FUEL ASSEMBLY.....	40
FUEL ASSEMBLY – CA	Error! Bookmark not defined.
WIRING HARNESS.....	42
DECAL GROUP	43

AVAILABLE ACCESSORIES

FITS MODELS:

ET60CT656SD

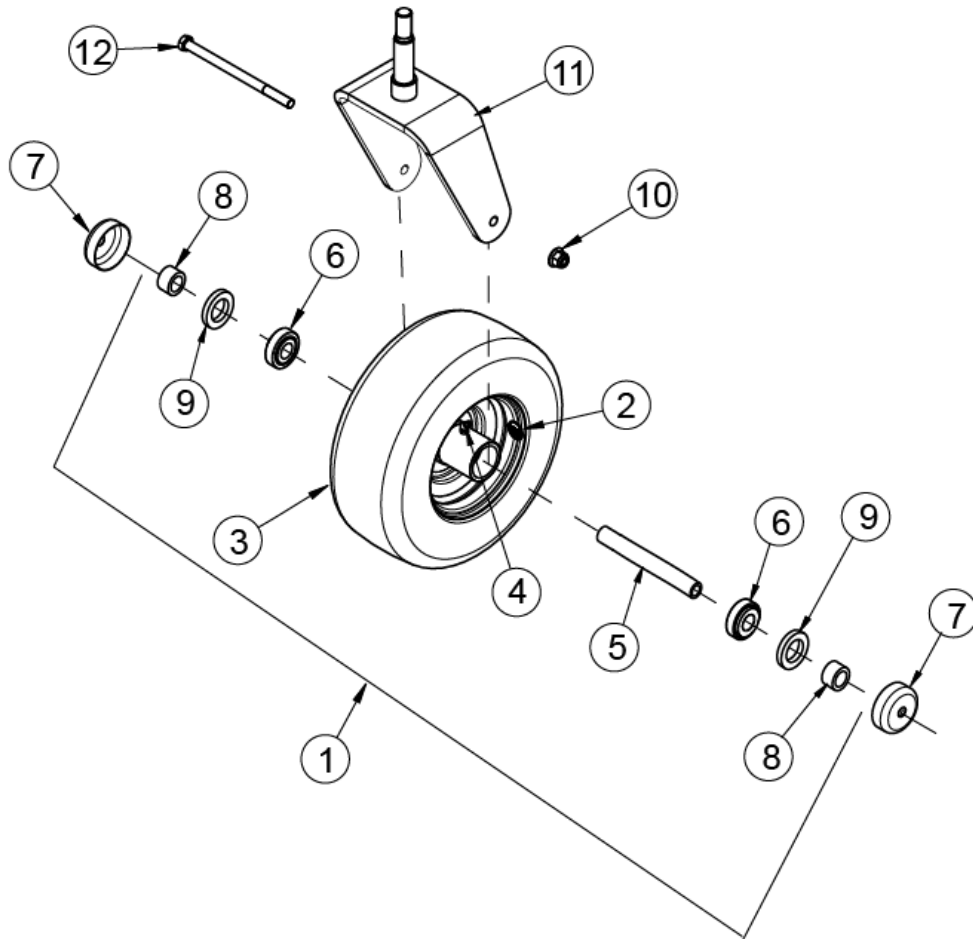
ET60CT656SDCA

MULCH KIT:

631027

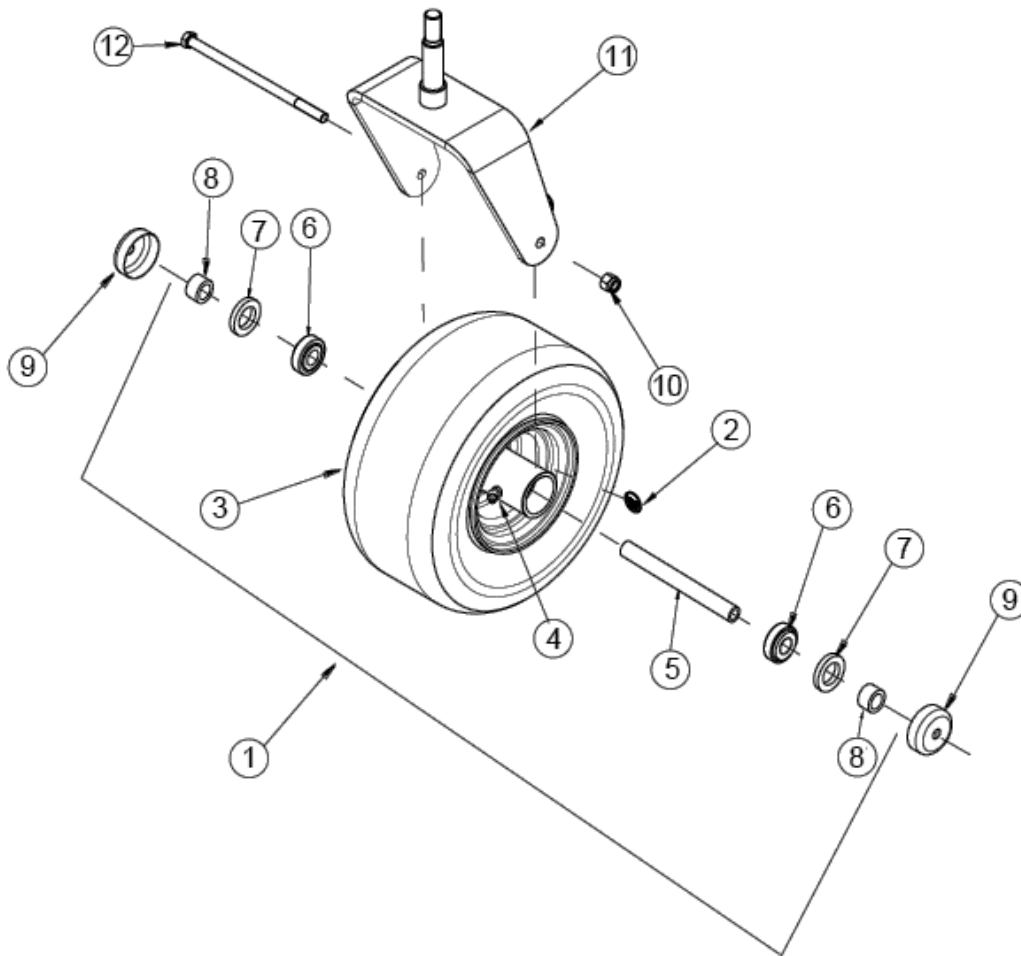
60" MULCH KIT

60" WHEEL ASSEMBLY



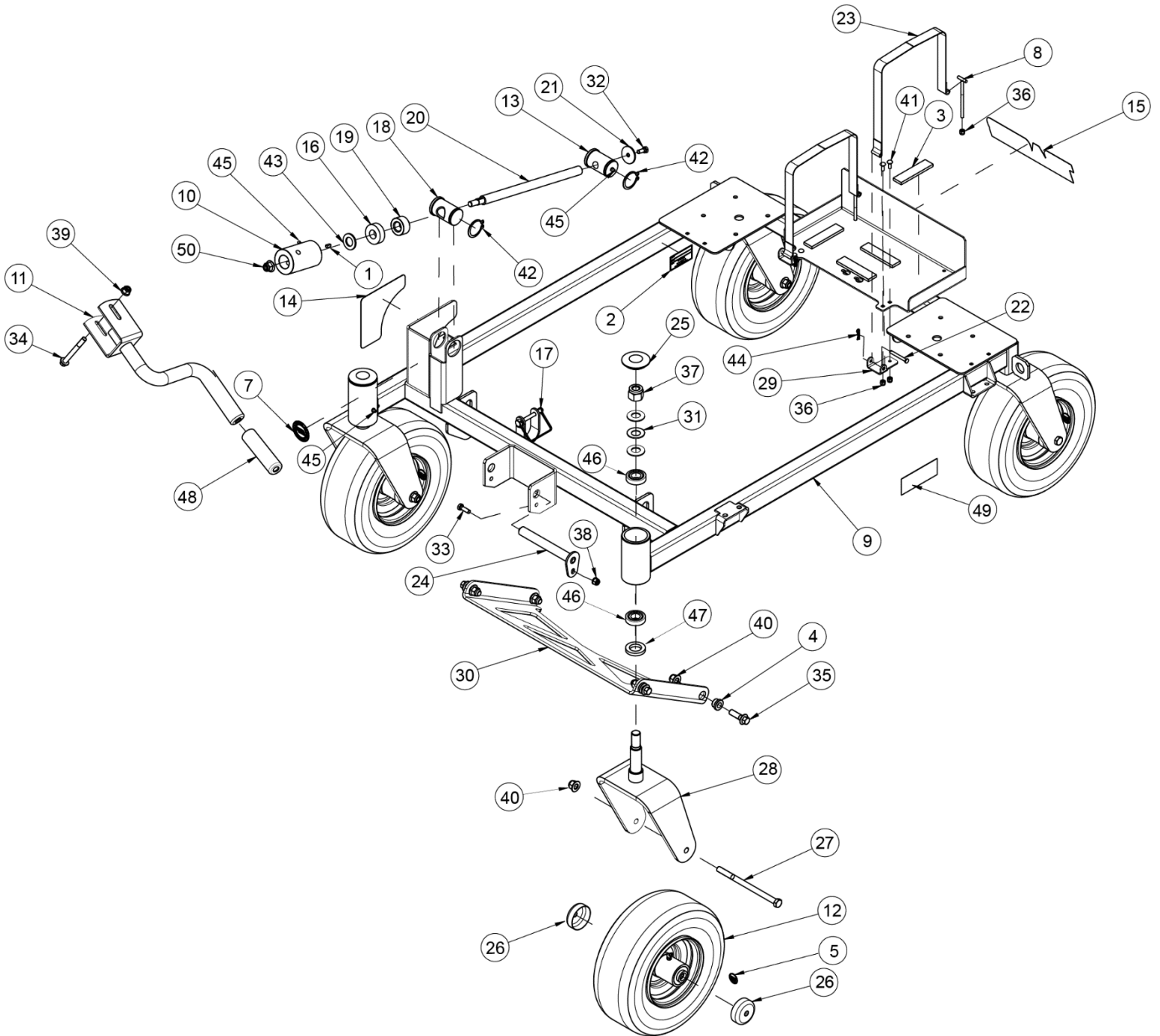
ITEM	PART NO.	DESCRIPTION
1	652067	ASM, WHEEL COMPLETE 13 X 5.0-6 TURF
2	453389	DECAL, FRONT TIRE PRESSURE
3	652066	TIRE AND RIM, 13 X 5.0-6 PNEUMATIC
	323025	TIRE, 13 X 5.0-6 PNEUMATIC
4	B1153-8	GREASE FITTING M8X1X45
5	5202038	TUBE, AXLE
6	5202037	BEARING, TAPERED ROLLER
7	5202026	CAP, DUST
8	5202035	BUSHING
9	5202036	SEAL, LIP
10	B6183-12	NUT, NYLOC FLANGE M12
11	5202150	CASTER WHEEL YOKE
12	5202029	SCREW, HH CAP M12 X 185

72" WHEEL ASSEMBLY



ITEM	PART NO.	DESCRIPTION
1	652084	ASM, WHEEL COMPLETE 13 X 6.5-6 CHEVRON
2	453389	DECAL, FRONT TIRE PRESSURE
3	652085	ASM, WHEEL & TIRE 13 X 6.5-6 CHEVRON
	363186	TIRE 13X6.50X6
4	B1153-8	GREASE FITTING M8X1X45
5	543230	TUBE, AXLE
6	5202037	BEARING, TAPERED ROLLER
7	5202026	CAP, DUST
8	5202035	BUSHING
9	5202036	SEAL, LIP
10	B6183-12	NUT, NYLOC FLANGE M12
11	542011-2	WLD, CASTER FORK 6.5, RED
12	543189	BOLT, M12 X 225 MM

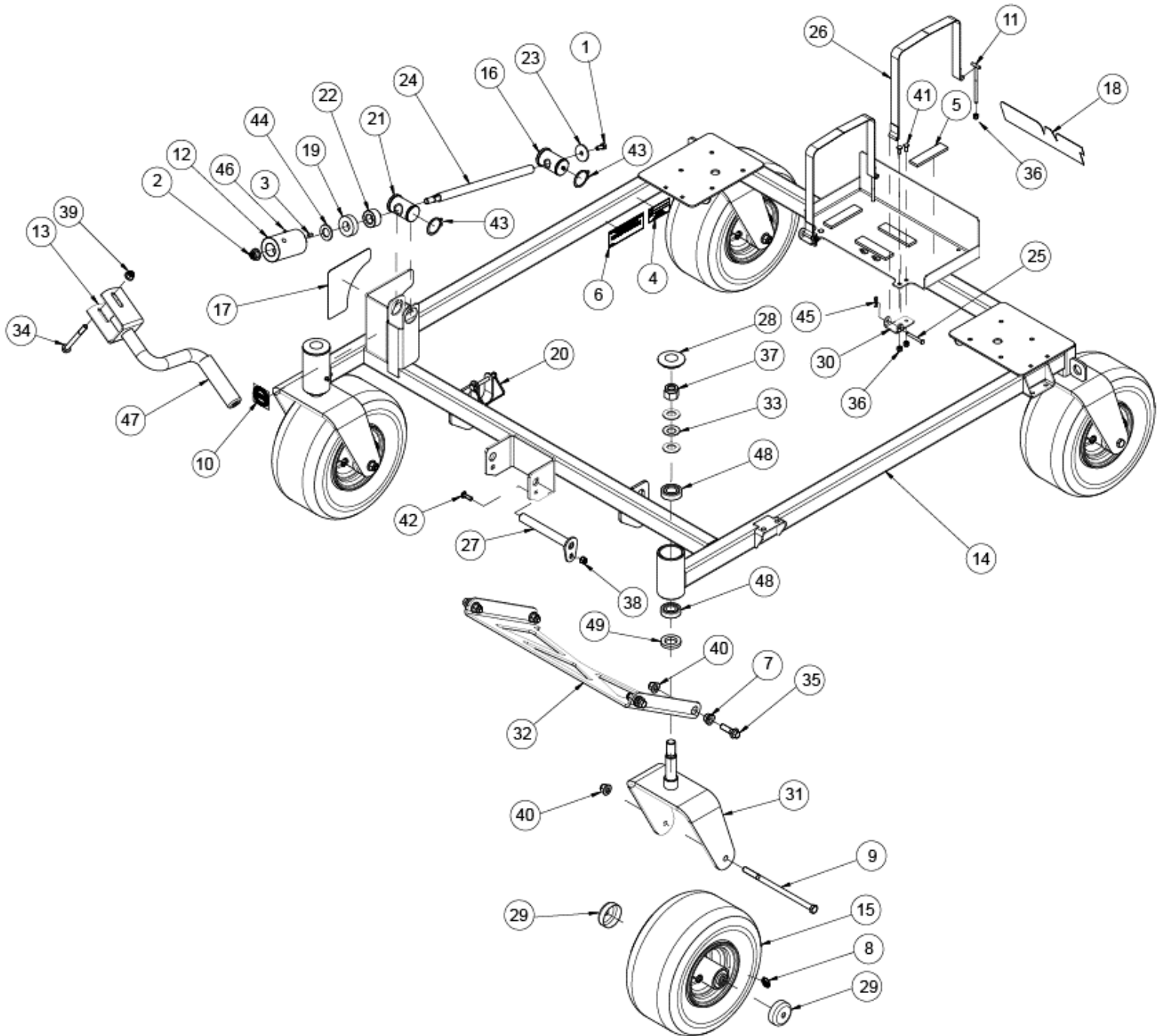
60" FRAME ASSEMBLY



60" FRAME ASSEMBLY

ITEM	PART NO.	DESCRIPTION
1	107253	3/16 X 3/16 X 1/2 KEY
2	FOR REFERENCE ONLY	SERIAL PLATE
3	363201	FUEL TANK PAD
4	453288	BUSHING
5	453389	DECAL, FRONT TIRE PRESSURE
6	363416	EPA LABEL - WB
7	543380	DECAL, BEATRICE
8	652014	WLD, 4" T-BOLT
9	652045	ASM, PB FRAME
10	652049	ASM, CRANK PIVOT BUSHING
11	652050	ASM, CRANK W/GRIP
12	652067	ASM, WHEEL COMPLETE 13 X 5.0-6 TURF
13	652092	ASM, ACME THREADED DECK LIFT TRUNNION
14	653008	DECAL, DECK HEIGHT
15	653065	DECAL, TRACER
16	653075	BEARING, 7/8" ID THRUST
17	653076	PIN, 5/16" X 2-1/4" SQUARE LOCKING
18	653100	TRUNNION, FRAME
19	653101	SPACER, 20.5MM ID X 20MM
20	653178	SHAFT, ACME THREADED DECK LIFT
21	653106	SPACER, 8.5MM ID X 40MM OD X 3MM
22	4805003	AXIS PIN
23	4805010	FUEL TANK MOUNTING STRAP ASM
24	5201055	AXLE PIN WELDMENT
25	5202009	CAP, CASTER TUBE
26	5202026	DUST CAP
27	5202029	SCREW, HH CAP M12 X 185
28	5202150	CASTER WHEEL YOKE
29	453388-2	BRACKET, TANK BAND - RED
30	633010-2	FRONT STRUT PLATE - RED
31	B1972-A40	WASHER, SPRING DISC A40
32	100271	5/16-18 X 3/4 HHCS
33	B801-825	BOLT, CARRIAGE SN M8X25
34	B5787-1090	SCREW, HH FLANGE M10 X 90
35	B5787-1240	SCREW, HH FLANGED M12 X 40
36	B6182-6	NUT, NYLOC M6
37	B6182-20	NUT, NYLOC M20
38	B6183-8	NUT, FLANGED NYLOC M8
39	B6183-10	NUT, NYLOC FLANGE M10
40	B6183-12	NUT, NYLOC FLANGE M12
41	B801-616	BOLT, CARRIAGE SN M6 X 16
42	B894.1-40	RING, SNAP EXTERNAL M40
43	B97.1-20	WASHER 20
44	XSZ56-1-17	HAIR PIN
45	B1152-6	GREASE FITTING M6
46	B297-30205	BEARING 30205
47	B13871-B32528	SEAL (F) 32X52X8
48	5202032	HANDLE GRIP
49	363422	CARB EVAP LABEL
50	103556	NUT, 1/2 - 13 FLANGE NYLOC

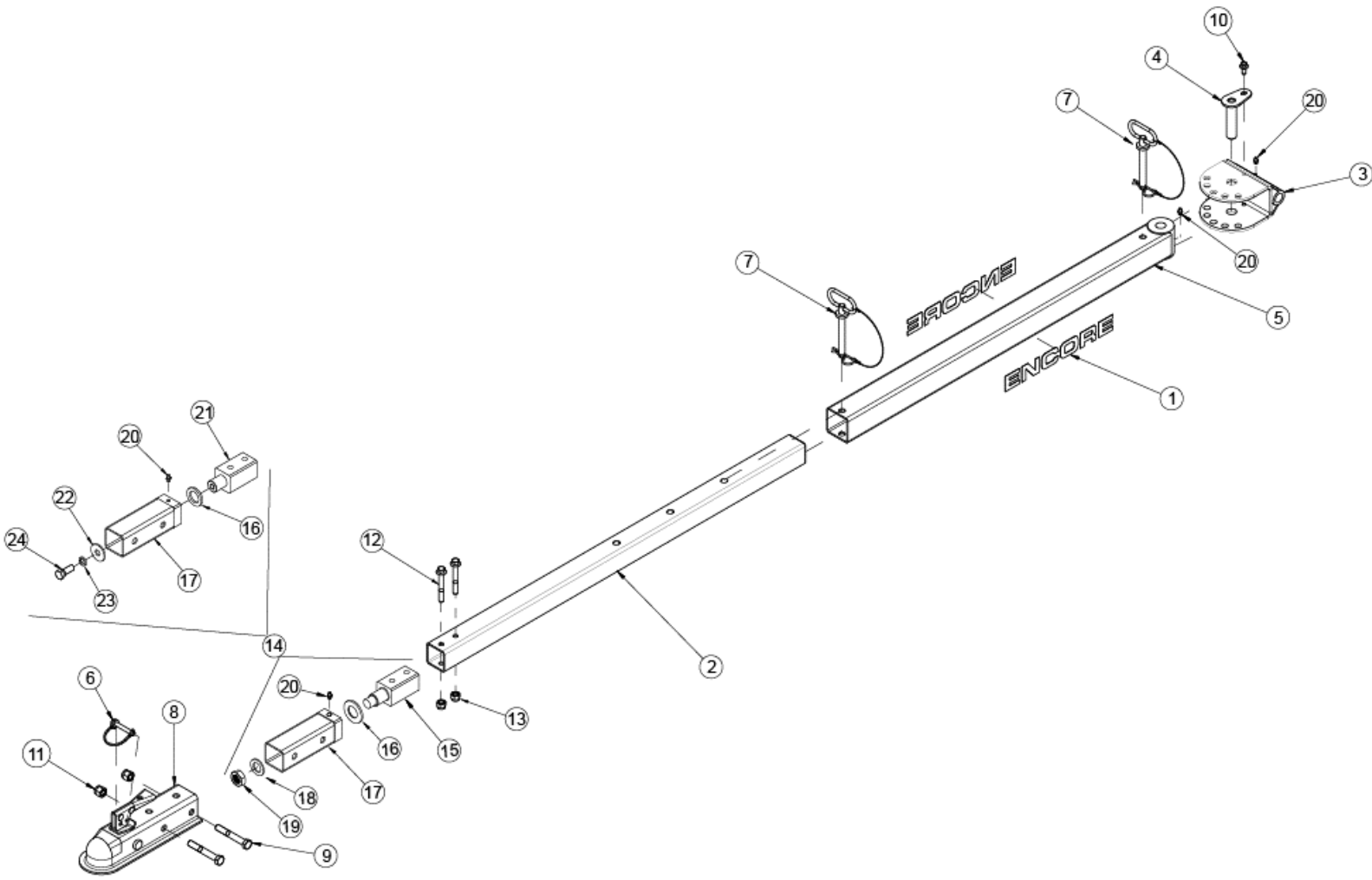
72" FRAME ASSEMBLY



72" FRAME ASSEMBLY

ITEM	PART NO.	DESCRIPTION
1	100271	5/16-18 X 3/4 HHCS
2	103556	NUT, 1/2 - 13 FLANGE NYLOC
3	107253	3/16 X 3/16 X 1/2 KEY
4	FOR REFERENCE ONLY	SERIAL PLATE
5	363201	FUEL TANK PAD
6	363416	EPA LABEL - WB
7	453288	BUSHING
8	453389	DECAL, FRONT TIRE PRESSURE
9	543189	BOLT, M12 X 225 MM
10	543380	DECAL, BEATRICE
11	652014	WLD, 4" T-BOLT
12	652049	ASM, CRANK PIVOT BUSHING
13	652050	ASM, CRANK W/GRIP
14	652051	ASM, 72 PB FRAME
15	652084	ASM, WHEEL COMPLETE 13 X 6.5-6 CHEVRON
16	652092	ASM, ACME THREADED DECK LIFT TRUNNION
17	653008	DECAL, DECK HEIGHT
18	653065	DECAL, TRACER
19	653075	BEARING, 7/8" ID THRUST
20	653076	PIN, 5/16" X 2-1/4" SQUARE LOCKING
21	653100	TRUNNION, FRAME
22	653101	SPACER, 20.5MM ID X 20MM
23	653106	SPACER, 8.5MM ID X 40MM OD X 3MM
24	653178	SHAFT, ACME THREADED DECK LIFT
25	4805003	AXIS PIN
26	4805010	FUEL TANK MOUNTING STRAP ASSY
27	5201055	AXLE PIN WELDMENT
28	5202009	DUST CAP
29	5202026	CAP, DUST
30	453388-2	BRACKET, TANK BAND-RED
31	542011-2	WLD, CASTER FORK 6.5, RED
32	633010-2	FRONT STRUT PLATE - RED
33	B1972-A40	WASHER, SPRING DISC A40
34	B5787-1090	SCREW, HH FLANGE M10 X 90
35	B5787-1240	SCREW, HH FLANGED M12 X 40
36	B6182-6	NUT, NYLOC M6
37	B6182-20	NUT, NYLOC M20
38	B6183-8	NUT, FLANGED NYLOC M8
39	B6183-10	NUT, NYLOC FLANGE M10
40	B6183-12	NUT, NYLOC FLANGE M12
41	B801-616	BOLT, CARRIAGE SN M6x16
42	B801-825	BOLT, CARRIAGE SN M8X25
43	B894.1-40	RING, SNAP EXTERNAL M40
44	B97.1-20	WASHER 20
45	XSZ56-1-17	HAIR PIN
46	B1152-6	GREASE FITTING M6
47	5202032	HANDLE GRIP
48	B297-30205	BEARING 30205
49	B13871-B32528	SEAL (F) 32X52X8

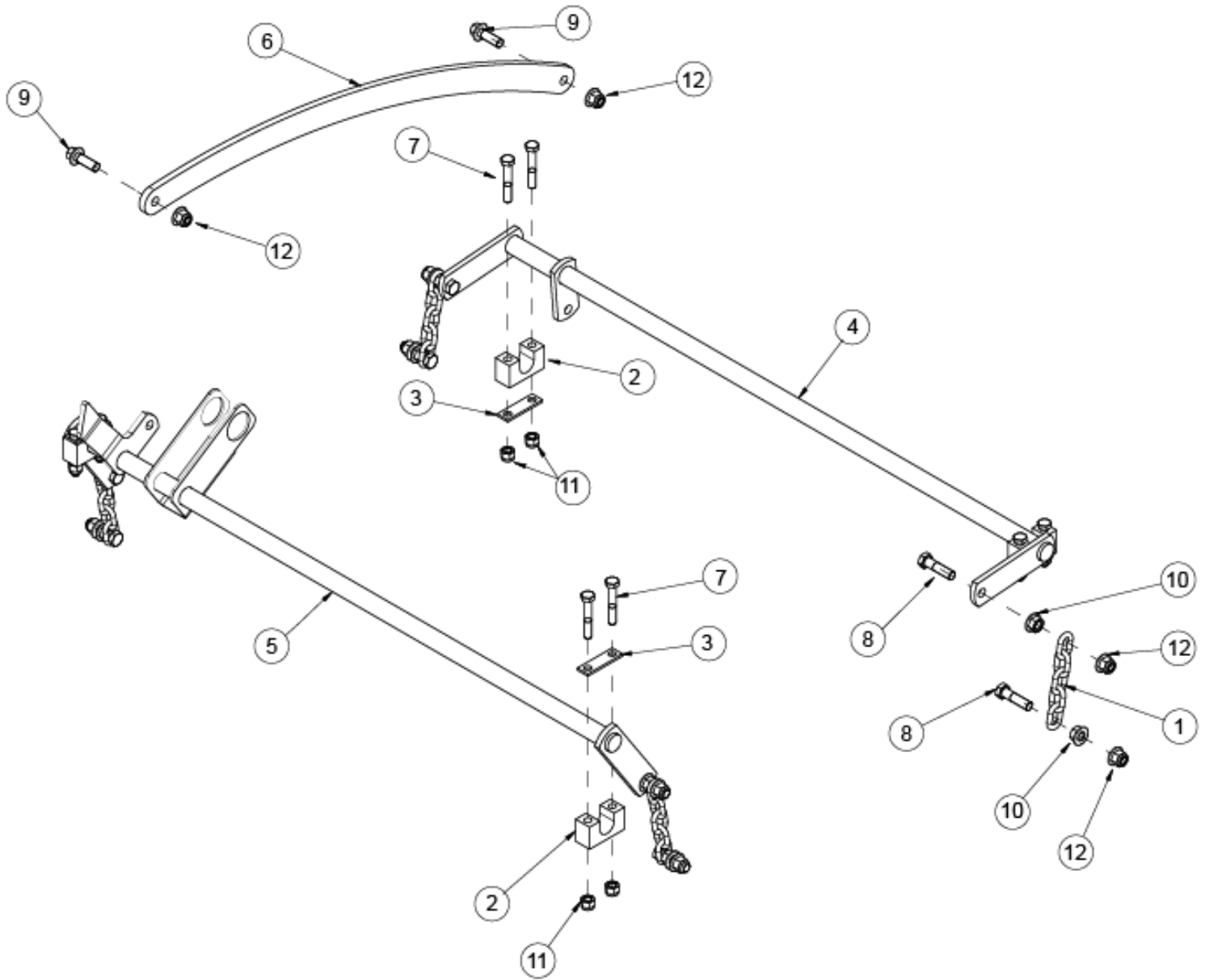
TONGUE ASSEMBLY



TONGUE ASSEMBLY

ITEM	PART NO.	DESCRIPTION
1	543470	DECAL, ENCORE 12"
2	653031-2	TUBE, TONGUE
3	652021	ASM, HITCH SWIVEL
4	652024	WLD, HITCH SWIVEL PIN
5	652025	ASM, SWIVEL HITCH TUBE
6	653057	PIN, 5/16" X 2" ROUND LOCKING
7	653058	PIN, 1/2" X 3-5/8" HITCH W/LANYARD
8	5101490	COUPLER, 2" BALL X 2" TONGUE
9	B5782-1280	SCREW, HH M12 X 80
10	B5787-816	SCREW, HH FLANGE M8X16
11	B6182-12	NUT, NYLOC M12
12	B5787-1070	HEX FLANGE HD BOLT M10X70
13	B6182-10	NUT, NYLOC M10
14	652088	ASM, COMPLETE COUPLER SWIVEL
15	653175-1	SWIVEL, STUD, BLK
16	653068	SPACER, SWIVEL TONGUE
17	652031	ASM, COUPLER SWIVEL
18	105269	3/4 SAE FLAT WASHER
19	104762	NUT, 3/4-16 GR 5 HEX JAM
20	B1152-6	GREASE FITTING M6
21	653029	USE 651020
22	B96-12	USE 651020
23	B93-12	USE 651020
24	B5783-1230	USE 651020

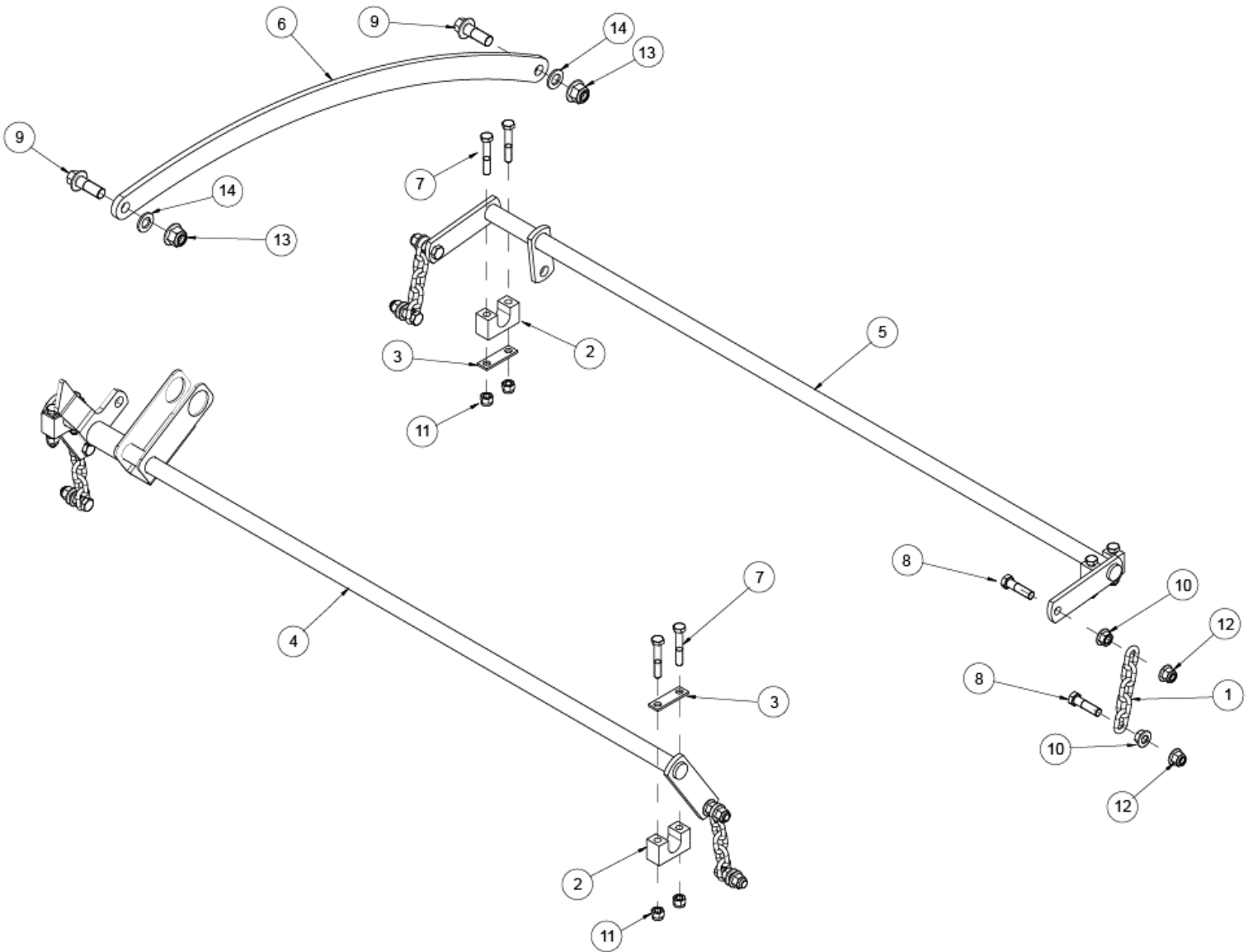
60" SD DECK LIFT ASSEMBLY



60" SD DECK LIFT ASSEMBLY

ITEM	PART NO.	DESCRIPTION
1	423359	FRONT CHAIN (5 LINKS)
2	633119	BLOCK, 25MM PIVOT
3	633220-1	PLATE, 25MM PIVOT BLOCK
4	652038-1	WLD, REAR DECK LIFT SHAFT
5	652043-1	WLD, FRONT DECK LIFT SHAFT
6	653089-1	LINK, DECK LIFT
7	B5782-1060	BOLT 10X60
8	B5782-1245	SCREW, HH M12 X 45
9	B5787-1235	SCREW, HH FLANGE M12X35
10	B6177-12	NUT, FLANGED M12
11	B6182-10	NUT, NYLOC M10
12	B6183-12	NUT, NYLOC FLANGE M12

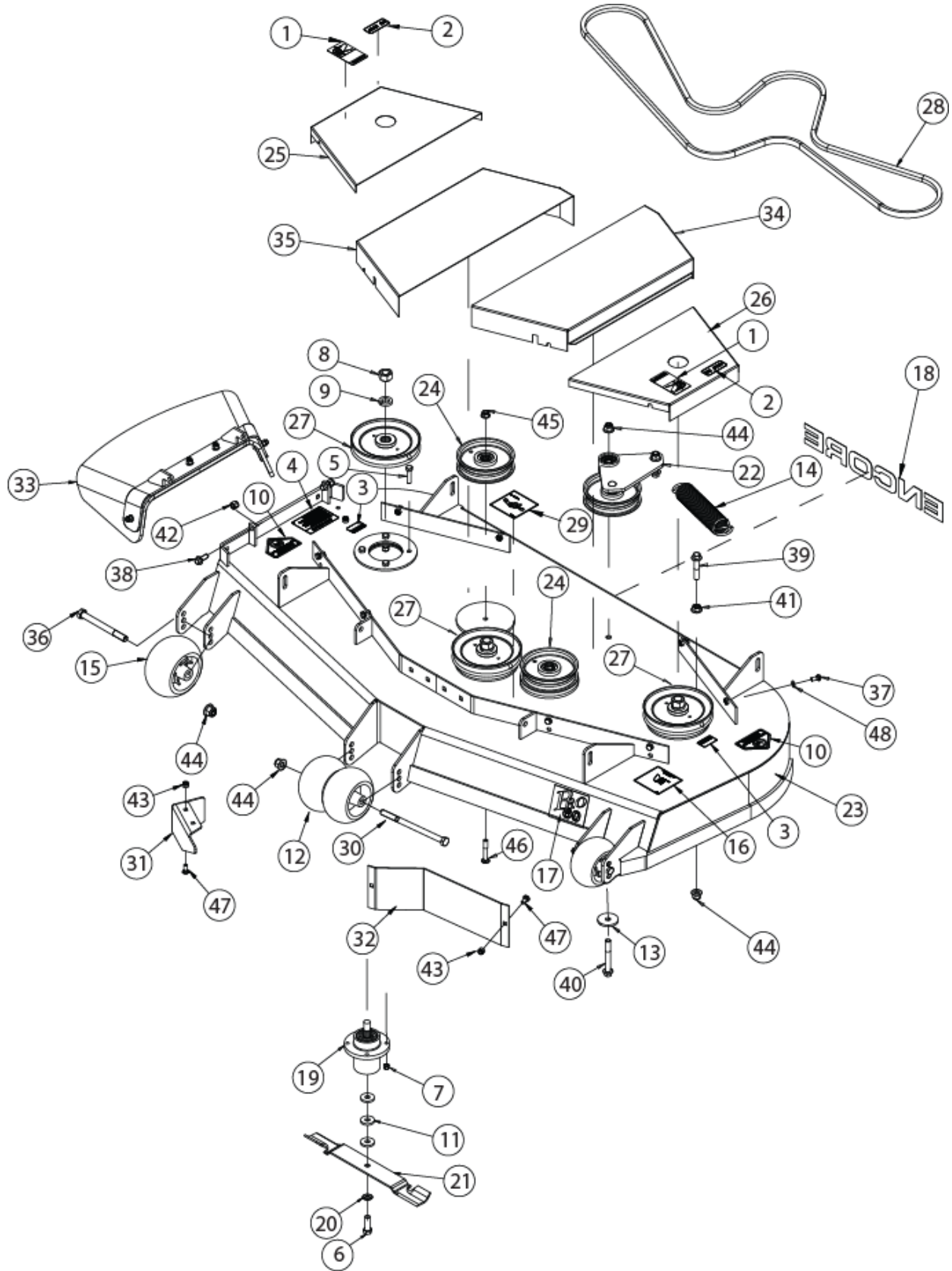
72" RD DECK LIFT ASSEMBLY



72" RD DECK LIFT ASSEMBLY

ITEM	PART NO	DESCRIPTION
1	423359	FRONT CHAIN (5 LINKS)
2	633119	BLOCK, 25MM PIVOT
3	633220-1	PLATE, 25MM PIVOT BLOCK
4	652056-1	WLD, 72 FRONT DECK LIFT SHAFT
5	652057-1	WLD, 72 REAR DECK LIFT SHAFT
6	653081-1	LINK, 72 DECK LIFT
7	B5782-1060	BOLT 10X60
8	B5782-1245	SCREW, HH M12 X 45
9	B5787-1645	SCREW, HH FLANGED M16 X 45
10	B6177-12	NUT, FLANGED M12
11	B6182-10	NUT, NYLOC M10
12	B6183-12	NUT, NYLOC FLANGE M12
13	B6183-16	NUT, FLANGED TOPLOCK M16
14	B97.1-16	WASHER 16

60" SD DECK ASSEMBLY



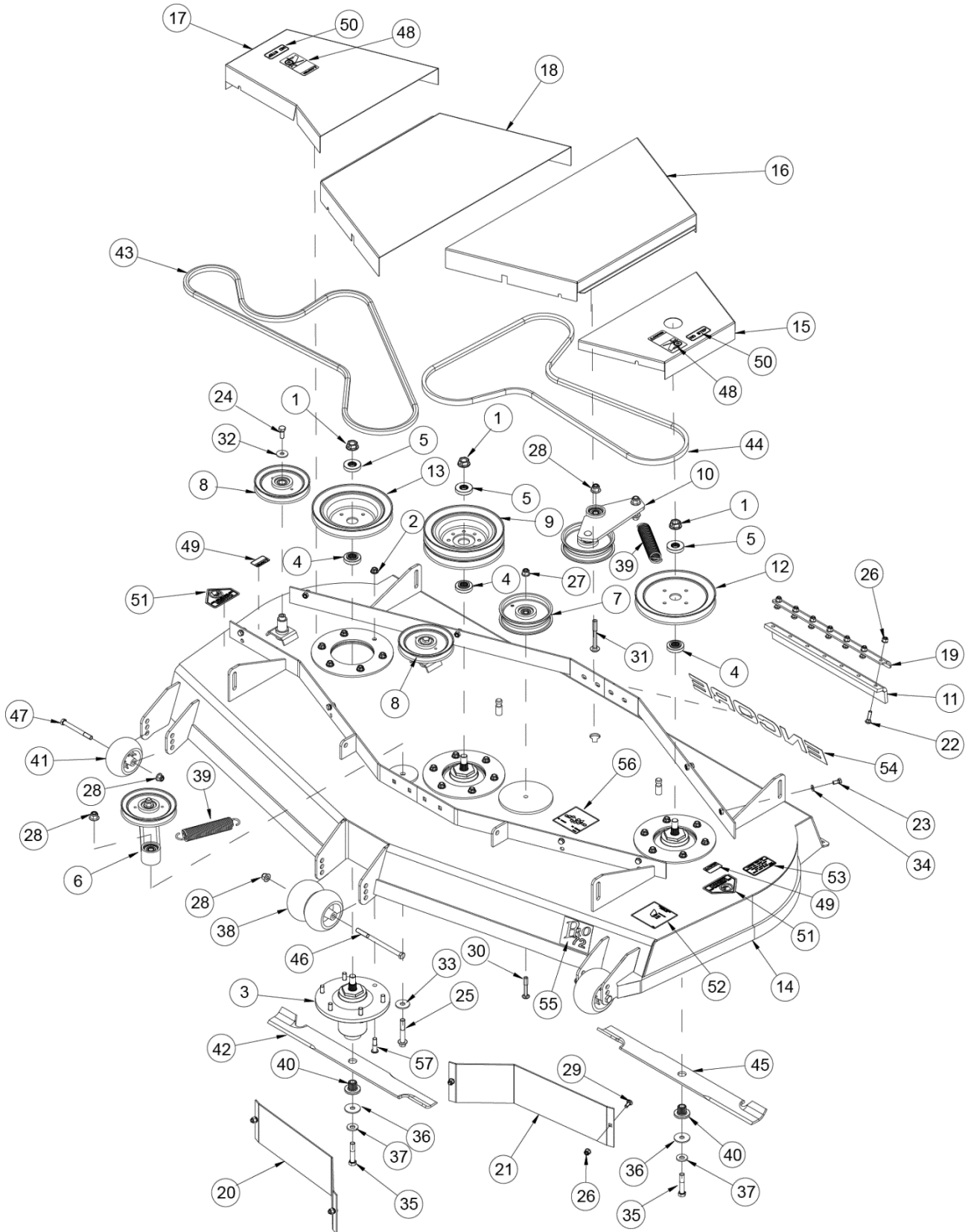
60" SD DECK ASSEMBLY

ITEM	PART NO.	DESCRIPTION
1	8008	DECAL, CAUTION, GUARDING LG
2	8304	DECAL, NO STEP
3	8303	DECAL, CAUTION, GUARDING SM
4	8307	DECAL, DISCHARGE WARNING
5	100294	3/8-16 X 1-1/2 HHCS
6	100347	5/8-11 X 2 HHCS
7	104257	3/8-16 HEX NYLOC NUT
8	104511	3/4-16 UNF REG HEX NUT
9	105010	3/4 LOCKWASHER
10	363023	DANGER DECAL, HANDS AND FEET
11	363382	BLADE SPACER
12	423023	ROLLER, ANTI SCALP
13	453219	WASHER, LARGE
14	523109	LIFT TENSION SPRING
15	543225	ROLLER, ANTI SCALP
16	543392	DECAL, ANTI-SCALP ROLLER
17	543402	DECAL, PRO 60
18	543471	DECAL, ENCORE 21"
19	583106	BLADE SPINDLE ASSY – DETAIL PG 25
20	583108	5/8 SPRING DISC WASHER
21	633335	BLADE, 20.5" HI LIFT
22	652008	ASM, DECK IDLER COMPLETE – DETAIL PG 28
23	652004	ASM, 60 PB DECK W/DECALS
24	652035	ASM, 127MM X 32MM PULLEY W/SPACER – DETAIL PG 30
25	652039	ASM, PB 60 RH BELT SHIELD W/DECALS
26	652040	ASM, PB 60 LH BELT SHIELD W/DECALS
27	652061	PULLEY, 60 PB DECK
28	653044	BELT, PB 60 DECK SD
29	653069	DECAL, BELT ROUTING SD
30	5202029	SCREW, HH CAP M12 X 185
31	543214-2	BAFFLE, DOGLEG 60, RED
32	543217-2	BAFFLE, BIRDWING 60, RED
33	6001050A	ASM, DISCHARGE CHUTE 52/60
34	652026-1	WLD, 60 PB LH INNER SHIELD
35	652027-1	WLD, 60 PB INNER SHIELD
36	B5782-12120	SCREW, HH M12 X 120
37	B5783-816	SCREW, HH TAP M8x16
38	B5787-1025	SCREW, HH FLANGE M10x25
39	B5787-1260	SCREW, HH FLANGE M12 X 60
40	B5787-1290	SCREW, HH FLANGED M12 X 90
41	B6177-12	NUT, FLANGED M12
42	B6182-10	NUT, NYLOC M10
43	B6182-8	NUT, NYLOC M8

60" SD DECK ASSEMBLY

ITEM	PART NO.	DESCRIPTION
44	B6183-12	NUT, NYLOC FLANGE M12
45	B6187.1-10	LOCKNUT, FLANGE M10
46	B801-1060	BOLT, CARRIAGE M10 X 60
47	B801-820	BOLT, CARRIAGE SN M8X20
48	B97.1-8	WASHER 8

72" RD DECK ASSEMBLY



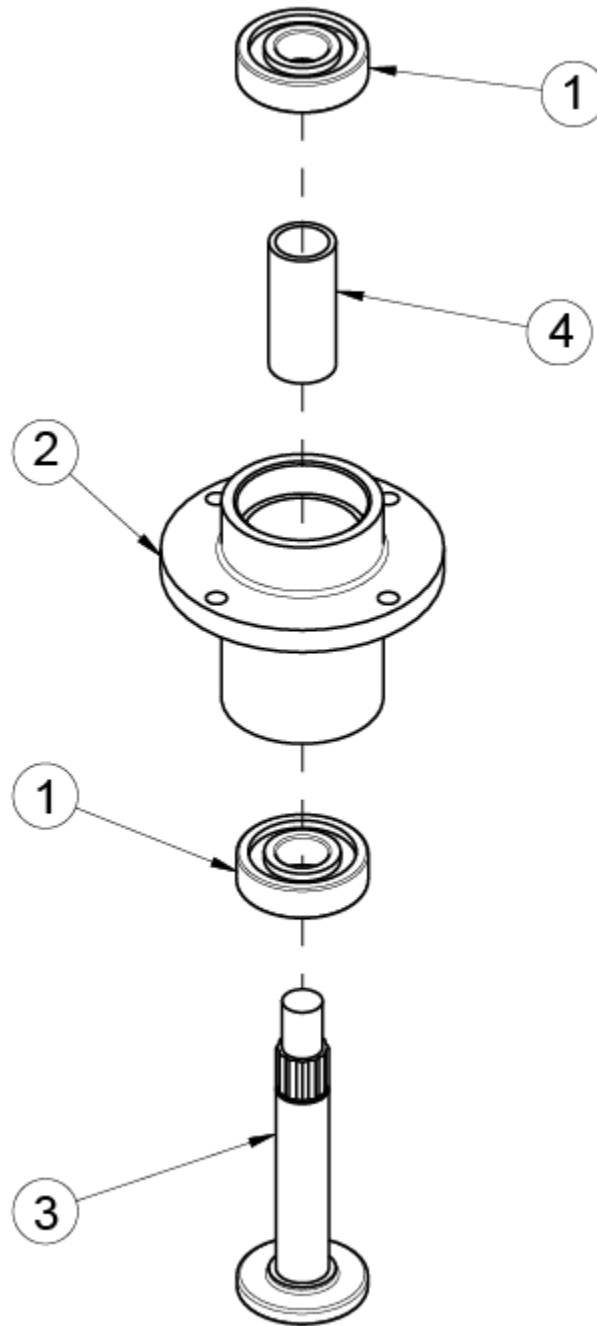
72" RD DECK ASSEMBLY

ITEM	PART NO.	DESCRIPTION
1	109047	NUT, FLANGE SIDELOCK 5/8-18 UNF
2	109048	NUT, FLANGE NYLOC 3/8-16 UNC
3	542014	ASM, SPINDLE HOUSING DETAIL PG 26
4	543014	SPACER, BLADE DRIVE
5	543337	SPACER, SPLINED
6	652011	ASM, IDLER ARM COMPLETE DETAIL PG 31
7	652035	ASM, 127MM X 32MM PULLEY W/SPACER DETAIL PG 30
8	652053	ASM, 6" GROOVE PULLEY W/BEARING DETAIL PG 32
9	652071	ASM, DOUBLE PULLEY BLADE DRIVE 8.30 SHEAVE
10	652097	ASM, 72 PB DECK IDLER DETAIL PG 29
11	653121	CHUTE, 72 RD RUBBER
12	653128	SHEAVE, BLADE DRIVE 8.30 X 1.19 ID
13	653172	SHEAVE, OFFSET BLADE DRIVE 8.30 X 1.19 ID
14	652098	ASM, 72 RD DECK W/DECALS
15	652100	ASM, PB 72" LH BELT SHIELD W/DECALS
16	652074-1	WLD, PB 72 LH INNER SHIELD
17	652099	ASM, PB 72 RH BELT SHIELD W/DECALS
18	652076-1	WLD, PB 72 RH INNER SHIELD
19	653127-2	PLATE, RD CHUTE
20	653131-2	BAFFLE, BIRDWING 72 RD RH
21	653162-2	BAFFLE, BIRDWING 72 LH
22	B12-830	BOLT, CARRIAGE 8 X 30
23	B5783-816	SCREW, HH TAP M8x16
24	B5783-1025	SCREW, HH TAP M10x25
25	B5787-1270	SCREW, HH FLANGED MM12 X 70
26	B6183-8	NUT, FLANGED NYLOC M8
27	B6183-10	NUT, NYLOC FLANGE M10
28	B6183-12	NUT, NYLOC FLANGE M12
29	B801-820	BOLT, CARRIAGE SN M8X20
30	B801-1060	BOLT, CARRIAGE M10 X 60
31	B801-1290	BOLT, CARRIAGE M12 X 90
32	B96-10	WASHER, FLAT LARGE M10
33	B96-12	WASHER, FLAT LARGE M12
34	B97.1-8	WASHER 8
35	100537	1/2-20 X 2-1/2 HHCS
36	103038	WASHER, FLAT .530 X 1.75 X .125
37	105502	WASHER, SPRING DISC 1/2
38	423023	ROLLER, ANTI SCALP
39	523109	LIFT TENSION SPRING
40	542123	KIT, BLADE DRIVER
41	543225	ROLLER, ANTI SCALP
42	653136	BLADE, 24.5" REVERSE
43	653139	BELT, PB 72 RD REVERSE DECK
44	653140	BELT, PB 72 RD DECK
45	653161	BLADE, 24.5"
46	5202029	SCREW, HH CAP M12 X 185

72" RD DECK ASSEMBLY

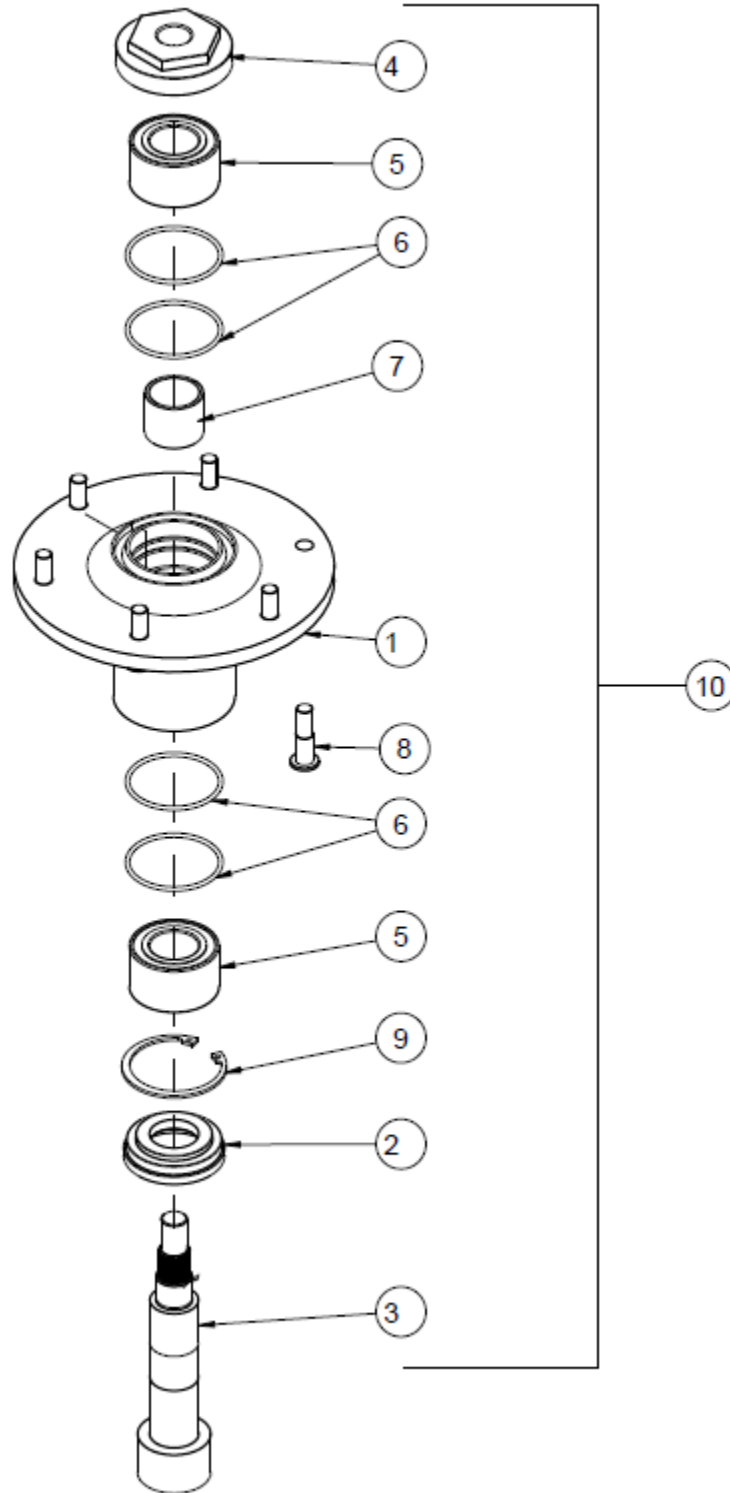
ITEM	PART NO	DESCRIPTION
47	B5782-12120	SCREW, HH M12 X 120
48	8008	DECAL, CAUTION, GUARDING LG
49	8303	DECAL, CAUTION, GUARDING SM
50	8304	DECAL, NO STEP
51	363023	DANGER DECAL, HANDS AND FEET
52	543392	DECAL, ANTI-SCALP ROLLER
53	543394	DECAL, BLADE BOLT
54	543471	DECAL, ENCORE 21"
55	583193	PRO 72 DECAL
56	653167	DECAL, BELT ROUTING RD
57	543015	STUD, WHEEL 10MM

60" SD SPINDLE HOUSING ASSEMBLY



ITEM	PART NO.	DESCRIPTION
1	363350	BEARING - BLADE SPINDLE
2	583111	SPINDLE HOUSING
3	583112	SPINDLE SHAFT
4	583113	BEARING SPACER TUBE

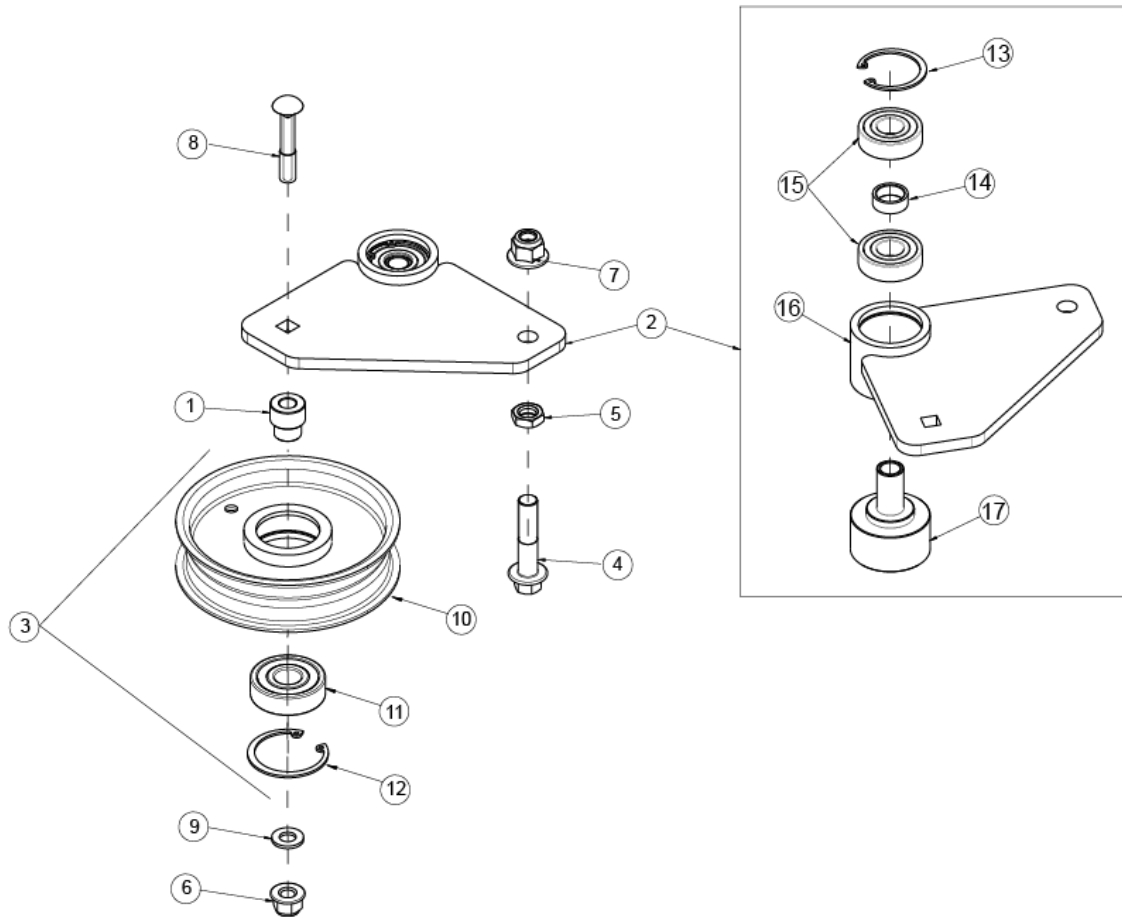
72" RD SPINDLE HOUSING ASSEMBLY



72" RD SPINDLE HOUSING ASSEMBLY

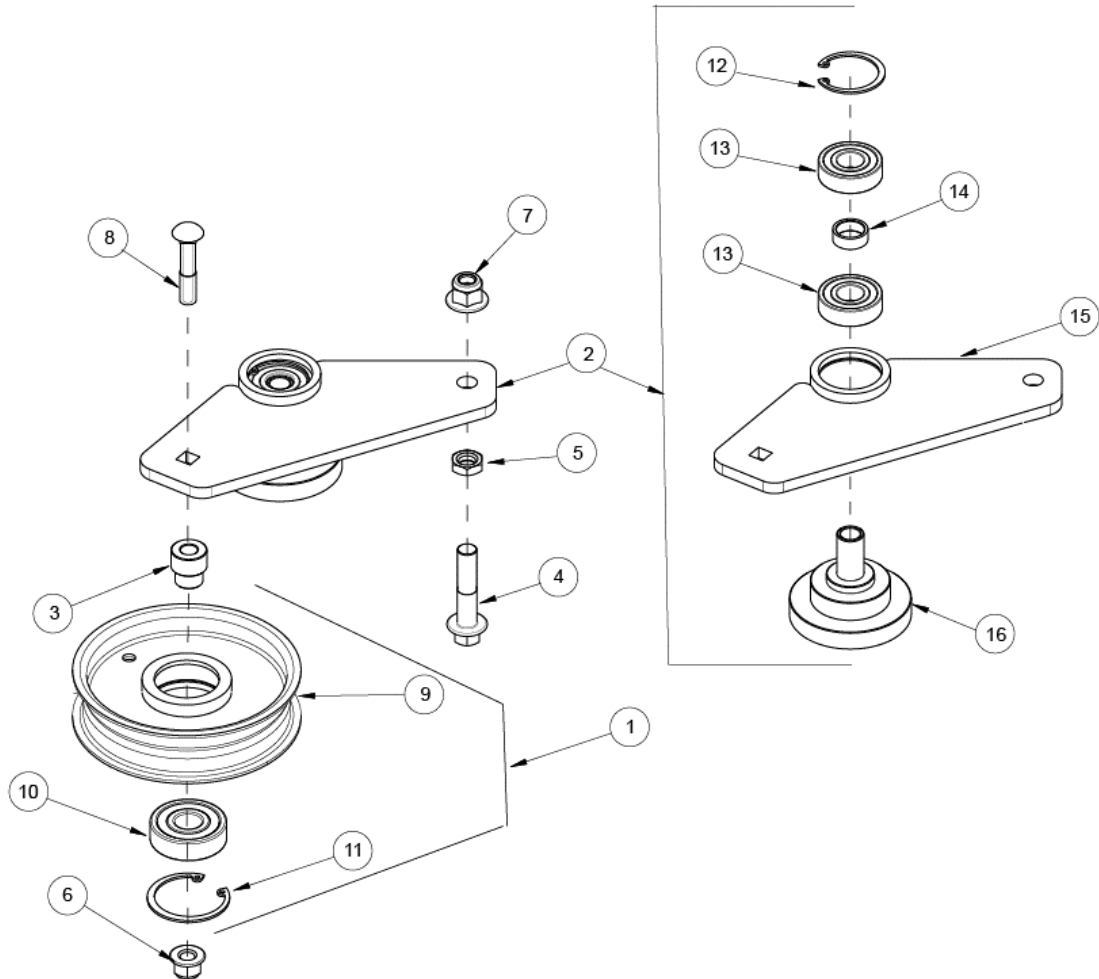
ITEM	PART NO.	DESCRIPTION
1	542012	HOUSING, CUTTER WITH STUDS
2	543008	GUARD, BOTTOM
3	543009	SPINDLE
4	543010	NUT, SPINDLE
5	543166	BEARING, DAC3055RK
6	B3452.1-545X265	O-RING 54.5 X 2.65
7	543237	SPACER
8	543015	STUD, WHEEL 10MM
9	B893.2-60	RING, SNAP INTERNAL 60mm
10	542014	ASM, CUTTER HOUSING

60" SD DECK IDLER ASSEMBLY



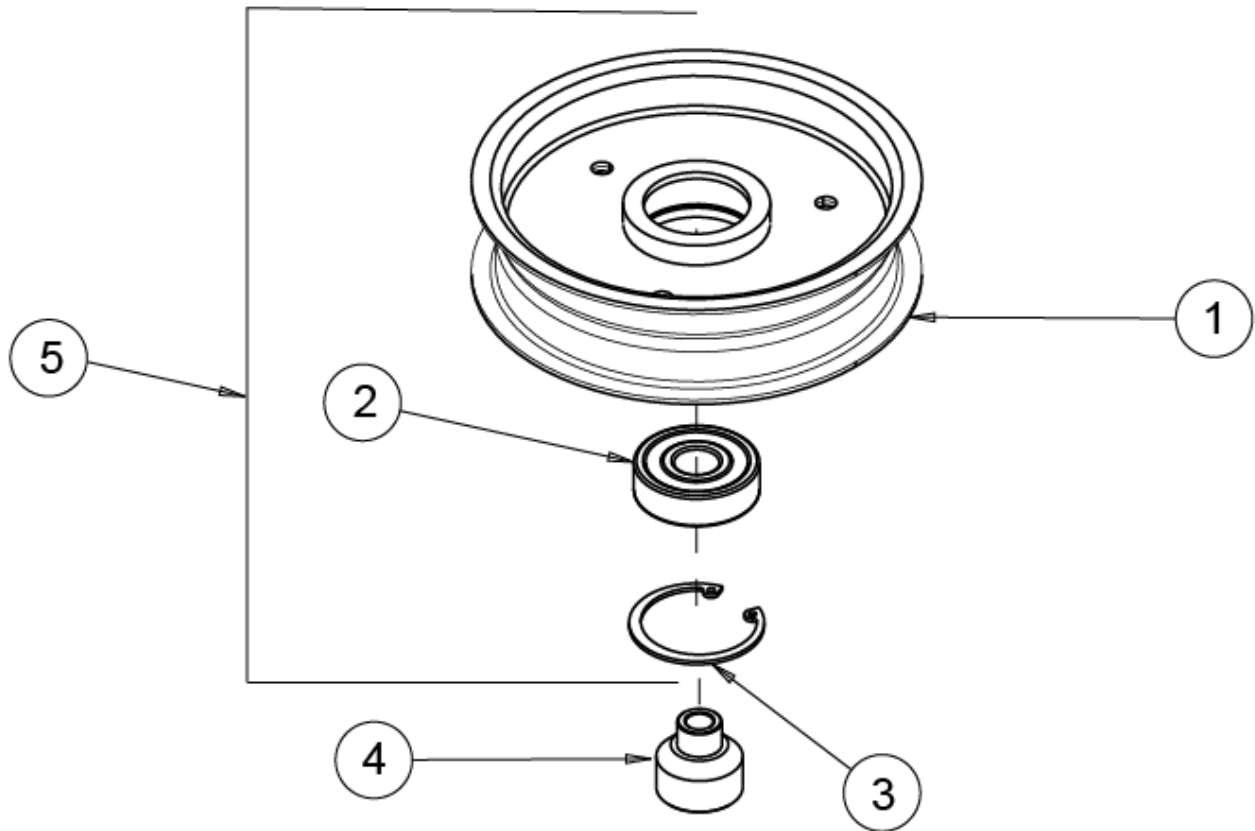
ITEM	PART NO.	DESCRIPTION
1	653020	SPACER, PULLEY
2	652028	ASM, IDLER W/BEARINGS
3	652034	ASM, 127MM X 32MM PULLEY W/BEARING
4	B5787-1255	SCREW, HH FLANGED M12 X 55
5	B6172-12	NUT, JAM M12
6	B6183-10	NUT, NYLOC FLANGE M10
7	B6183-12	NUT, NYLOC FLANGE M12
8	B801-1055	BOLT, CARRIAGE SN M10 X 55
9	B97.1-10	WASHER, FLAT M10
10	652033	WLD, 127MM X 32MM PULLEY
11	B276-6303RS	BEARING 6303-2RS
12	B893.2-47	SNAP RING 47
13	B893.1-40	SNAP RING 40
14	5201077	BUSHING
15	B276-6203RS	BEARING 6203-2RS
16	652009	WLD, DECK IDLER ARM
17	653019	SPACER, DECK IDLER

72" RD DECK IDLER ASSEMBLY



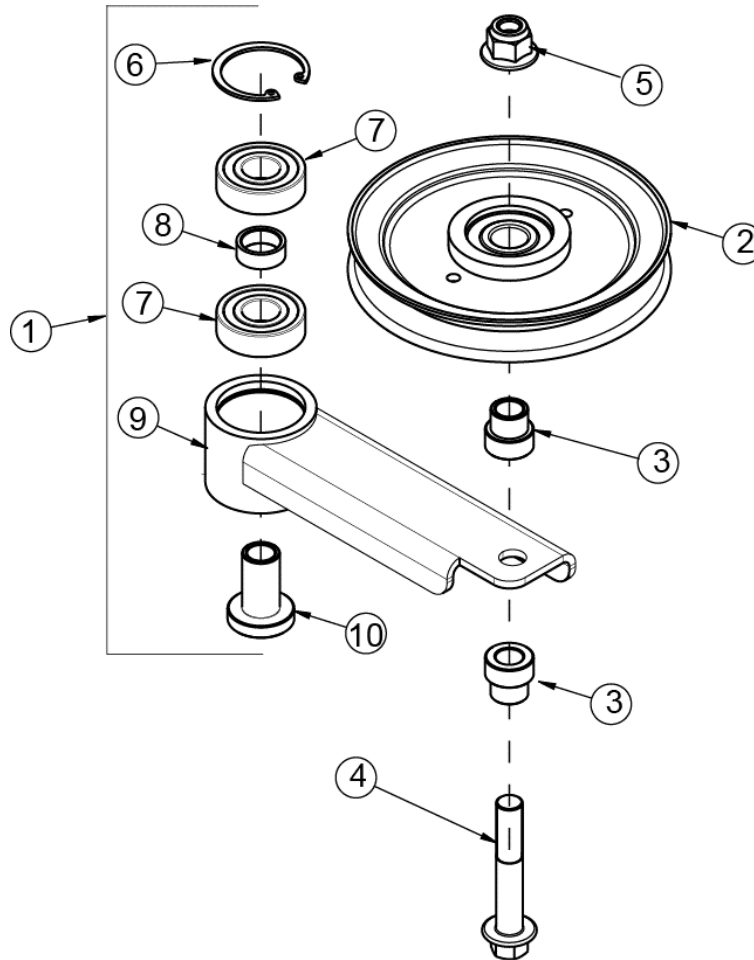
ITEM	PART NO.	DESCRIPTION
1	652034	ASM, 127MM X 32MM PULLEY W/BEARING
2	652096	ASM, 72 PB RD DECK IDLER W/BEARINGS
3	653020	SPACER, PULLEY
4	B5787-1255	SCREW, HH FLANGED M12 X 55
5	B6172-12	NUT, JAM M12
6	B6183-10	NUT, NYLOC FLANGE M10
7	B6183-12	NUT, NYLOC FLANGE M12
8	B801-1050	BOLT, CARRIAGE SN M10x50
9	652033	WLD, 127MM X 32MM PULLEY
10	B276-6303RS	BEARING 6303-2RS
11	B893.2-47	SNAP RING 47
12	B893.1-40	SNAP RING 40
13	B276-6203RS	BEARING 6203-2RS
14	5201077	BUSHING
15	652095	WLD, DECK IDLER ARM
16	653137	SPACER, PB RD DECK IDLER

DECK PULLEY ASSEMBLY



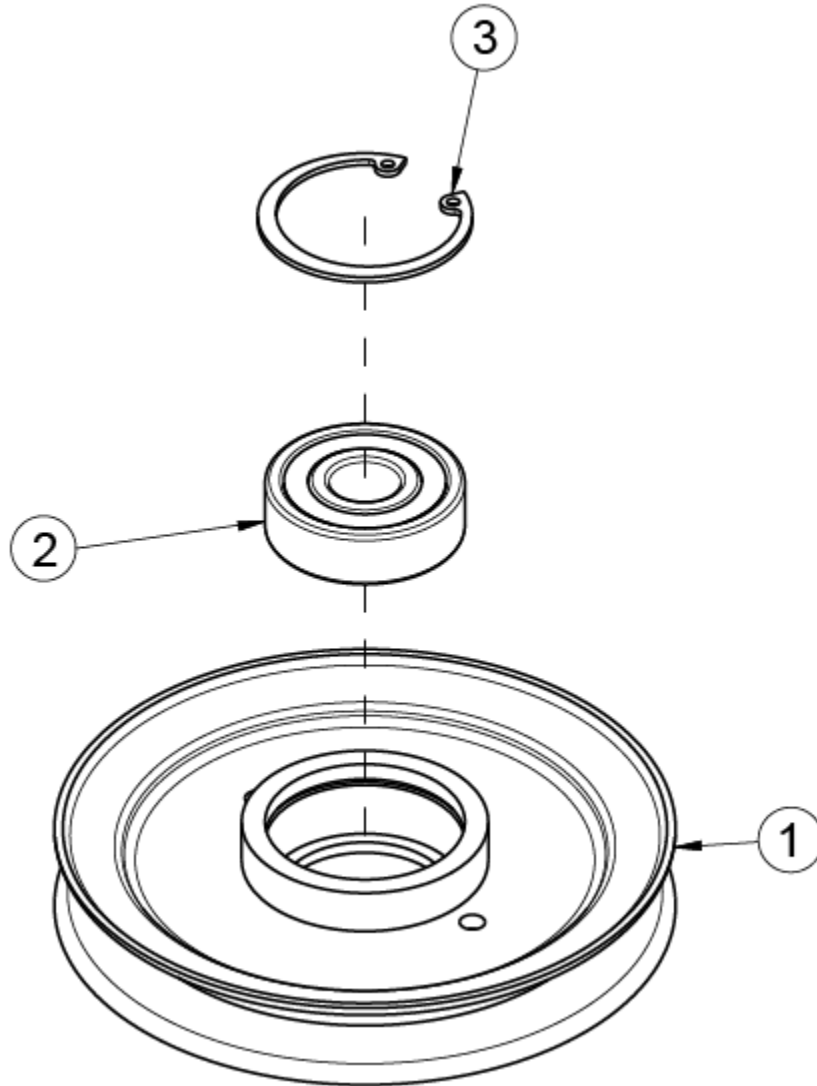
ITEM	PART NO.	DESCRIPTION
1	652033	WLD, 127MM X 32MM PULLEY
2	B276-6303RS	BEARING 6303-2RS
3	B893.1-47	SNAP RING 47
4	543450	SPACER, IDLER
5	652034	ASM, 127MM X 32MM PULLEY W/BEARING

72" RD IDLER ARM ASSEMBLY



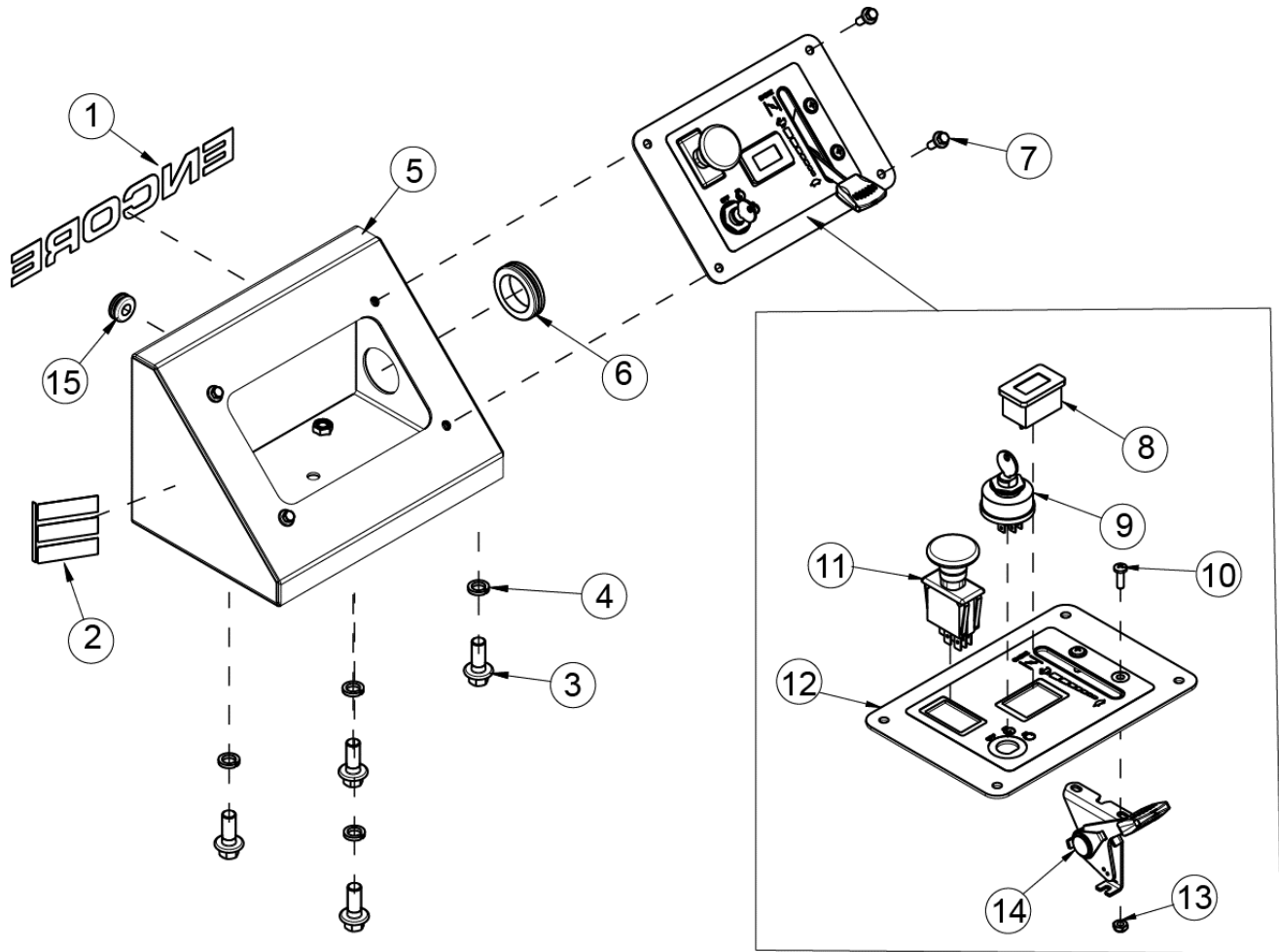
ITEM	PART NO.	DESCRIPTION
1	652010	ASM, IDLER ARM W/BEARINGS
2	652053	ASM, 6" GROOVE PULLEY W/BEARING – DETAIL PG 32
3	653036	SPACER, PULLEY
4	B5787-1270	SCREW, HH FLANGED MM12 X 70
5	B6183-12	NUT, NYLOC FLANGE M12
6	B893.1-40	SNAP RING 40
7	B276-6203RS	BEARING 6203-2RS
8	5201077	BUSHING
9	652012	WLD, IDLER ARM
10	653040	SPACER, DECK IDLER

6" GROOVE PULLEY ASSEMBLY



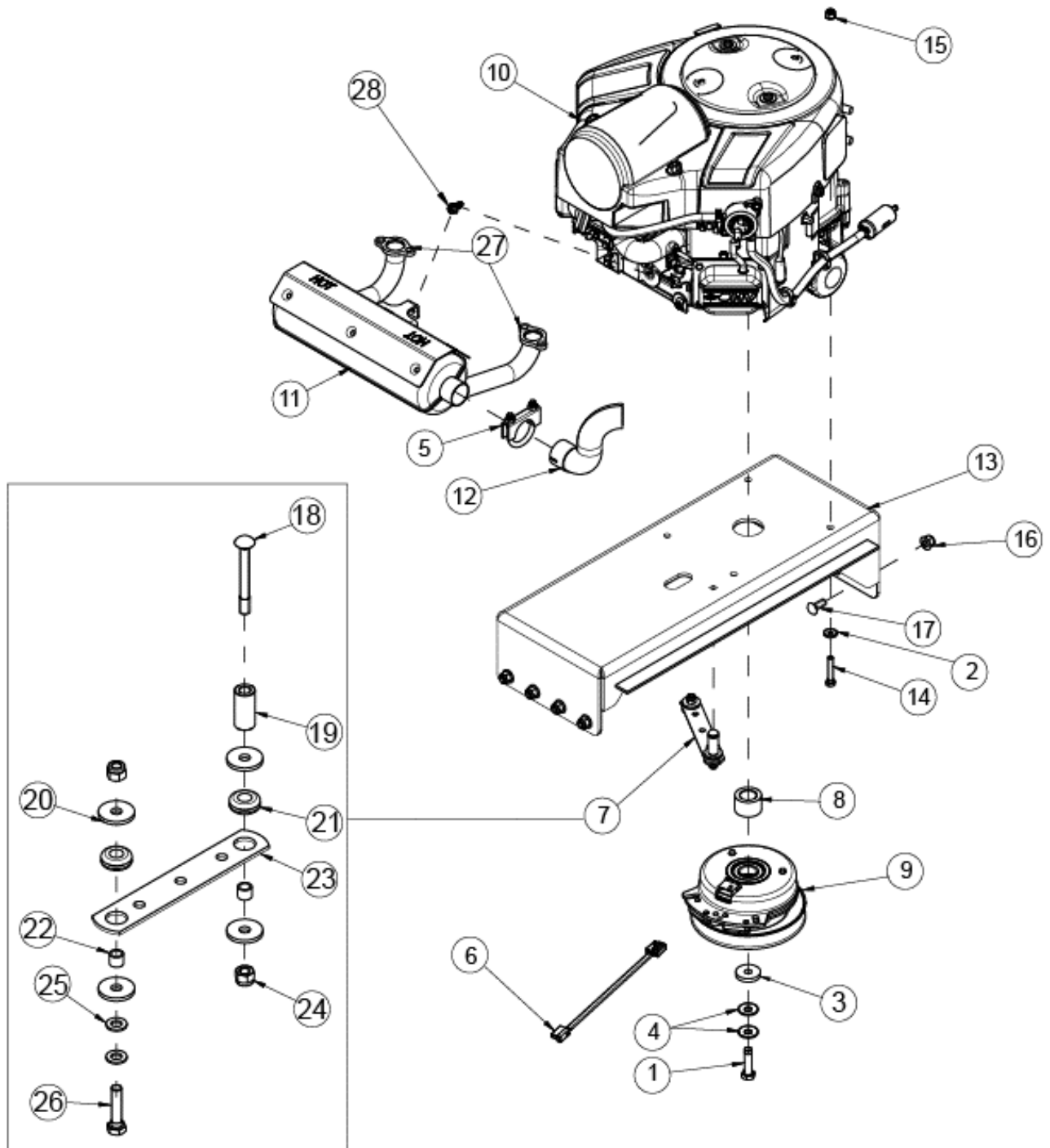
ITEM	PART NO.	DESCRIPTION
1	652052	WLD, 6" GROOVE PULLEY
2	B276-6303RS	BEARING 6303-2RS
3	B893.2-47	SNAP RING 47

CONSOLE ASSEMBLY



ITEM	PART NO.	DESCRIPTION
1	363243	SMALL ENCORE LABEL
2	543406	DECAL, ENCORE LOGO
3	B5787-820	SCREW, HH FLANGE M8 X 20
4	B93-8	LOCKWASHER M8
5	652036-2	WLD, PB CONSOLE BOX
6	453382	GROMMET, RUBBER 1-5/16" I.D.
7	B5787-616	SCREW, HH FLANGE M6X16
8	453417	METER, MS HOUR
9	423027	IGNITION SWITCH
10	101039	#10-24 X 5/8 MACH SCREW
11	4807005	SWITCH, PTO
12	652041	ASM, PB CONSOLE PLATE W/DECAL
13	104252	#10-24 HEX NYLOC NUT
14	653193	THROTTLE CABLE
15	653192	GROMMET, 3/8 ID

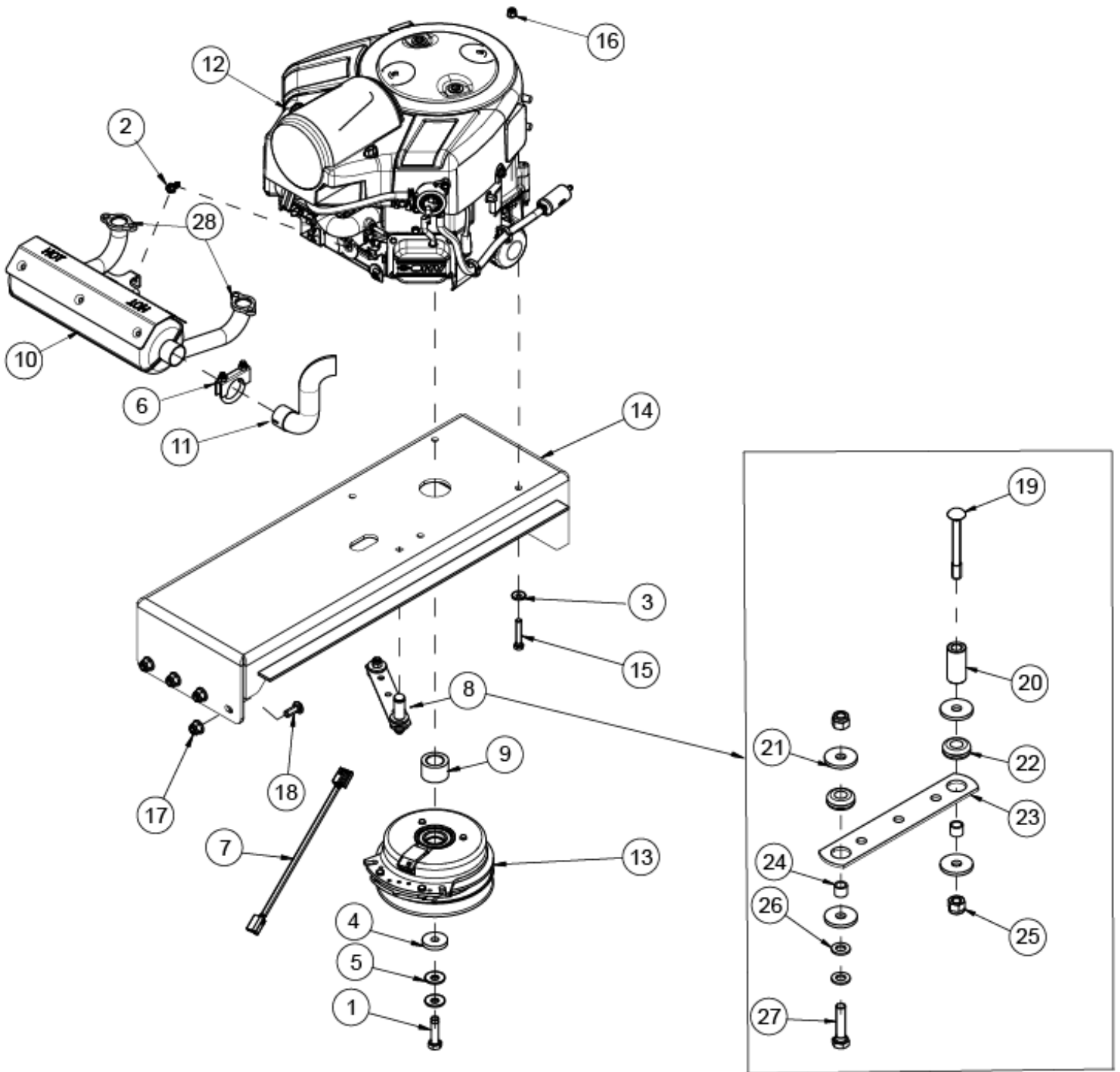
ENGINE ASSEMBLY - CT656



ENGINE ASSEMBLY - CT656

ITEM	PART NO.	DESCRIPTION
1	100533	7/16-20 X 1-3/4 HHCS
2	363226	WASHER, 5/16 SPRING DISC
3	423068	CLUTCH WASHER
4	423069	SPRING DISC WASHER – 7/16
5	593106	MUFFLER CLAMP – 1-1/2”
6	603083	CLUTCH ADAPT. HARNESS
7	652002	ASM, PULL BEHIND CLUTCH STOP
8	653002	SPACER, PULL BEHIND CLUTCH
9	653003	CLUTCH PULL BEHIND
10	FOR REFERENCE ONLY	ENGINE, BS CT 656 16HP
11	653025	MUFFLER, B&S PB
12	653066	TIP, EXHAUST
13	652020-2	WLD, 60 PH ENGINE DECK
14	B5783-845	SCREW, HH TAP M8 X 45
15	B6183-8	NUT, FLANGED NYLOC M8
16	B6183-10	NUT, FLANGED NYLOC M10
17	B801-1025	BOLT, CARRIGE SN M10 X 25
18	B801-865	BOLT, CARRIAGE SN M8 X 65
19	653004	SPACER, PULL BEHIND CLUTCH STOP
20	5203408	WASHER
21	5203410	RUBBER RING 17
22	5203409	SPACER / BUSHING
23	5203411	CLUTCH STOP STRAP
24	B6182-8	NUT, NYLOC M8
25	B97.1-8	WASHER 8
26	B5783-835	BOLT M8X35
27	483098	MUFFLER GASKET
28	102004	SCREW, 1/4-20 X 1/2 HWH SERRATED THD CUT

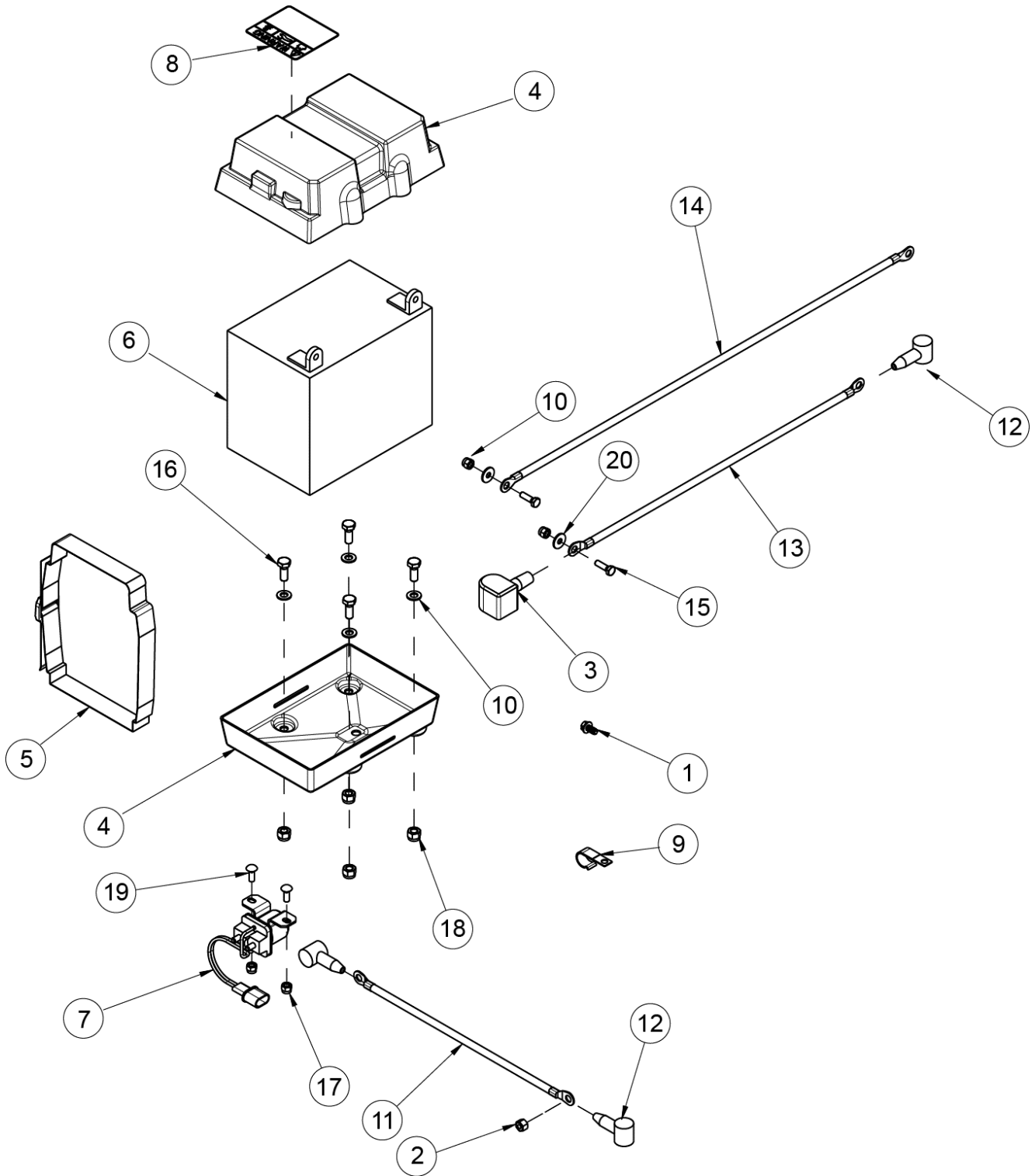
ENGINE ASSEMBLY – CT724



ENGINE ASSEMBLY – CT724

ITEM	PART NO.	DESCRIPTION
1	100533	7/16-20 X 1-3/4 HHCS
2	102004	SCREW, 1/4-20 X 1/2 HWH SERRATED THD CUT
3	363226	WASHER, 5/16 SPRING DISC
4	423068	CLUTCH WASHER
5	423069	SPRING DISC. WASHER - 7/16
6	593106	MUFFLER CLAMP - 1 1/2"
7	603083	CLUTCH ADAPT. HARNESS
8	652002	ASM, PULL BEHIND CLUTCH STOP
9	653002	SPACER, PULL BEHIND CLUTCH
10	653025	MUFFLER, B&S PB
11	653066	TIP, EXHAUST
12	FOR REFERENCE ONLY	ENGINE, BS CT 724 22 HP
13	653173	CLUTCH, 72 PULL BEHIND
14	652058-1	WLD, 72 PB RD ENGINE DECK
15	B5783-845	BOLT M8X45
16	B6183-8	NUT, FLANGED NYLOC M8
17	B6183-10	NUT, NYLOC FLANGE M10
18	B801-1025	BOLT, CARRIAGE SN M10 X 25
19	B801-865	BOLT, CARRIAGE SN M8 X 65
20	653004	SPACER, PULL BEHIND CLUTCH STOP
21	5203408	WASHER
22	5203410	RUBBER RING 17
23	5203411	CLUTCH STOP STRAP
24	5203409	SPACER / BUSHING
25	B6182-8	NUT, NYLOC M8
26	B97.1-8	WASHER 8
27	B5783-835	BOLT M8X35
28	483098	MUFFLER GASKET - 19,21,23,25 KAW

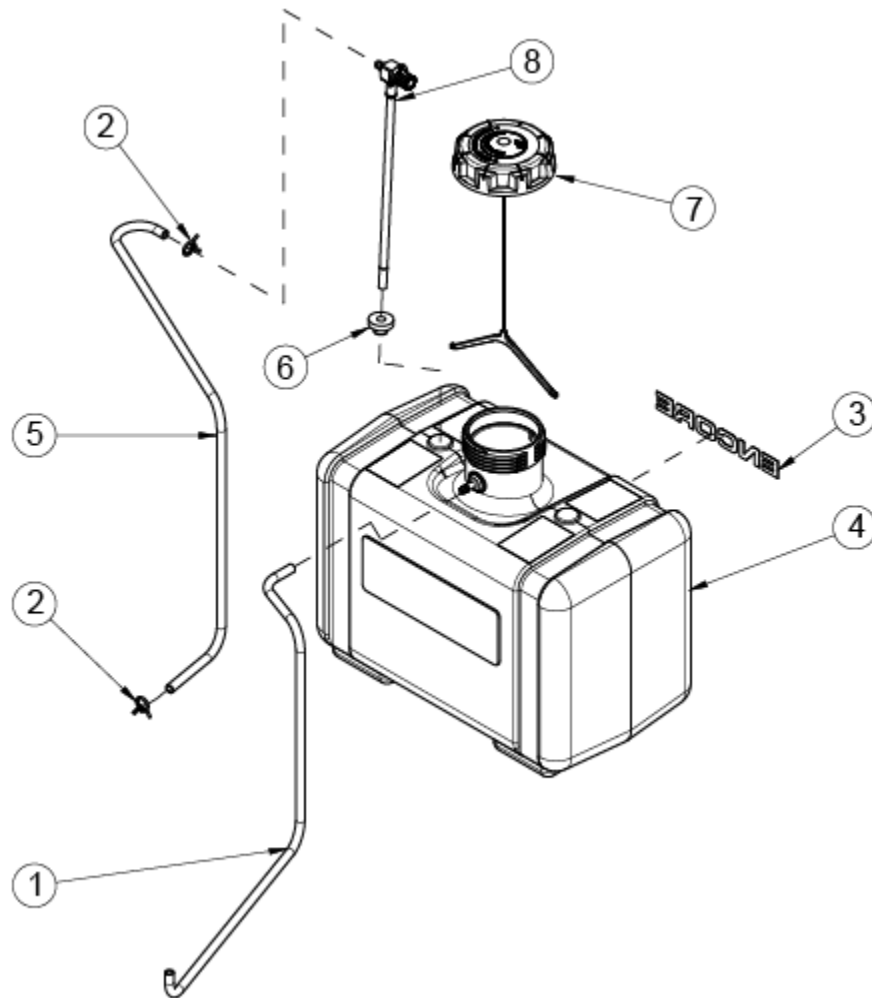
BATTERY GROUP



BATTERY GROUP

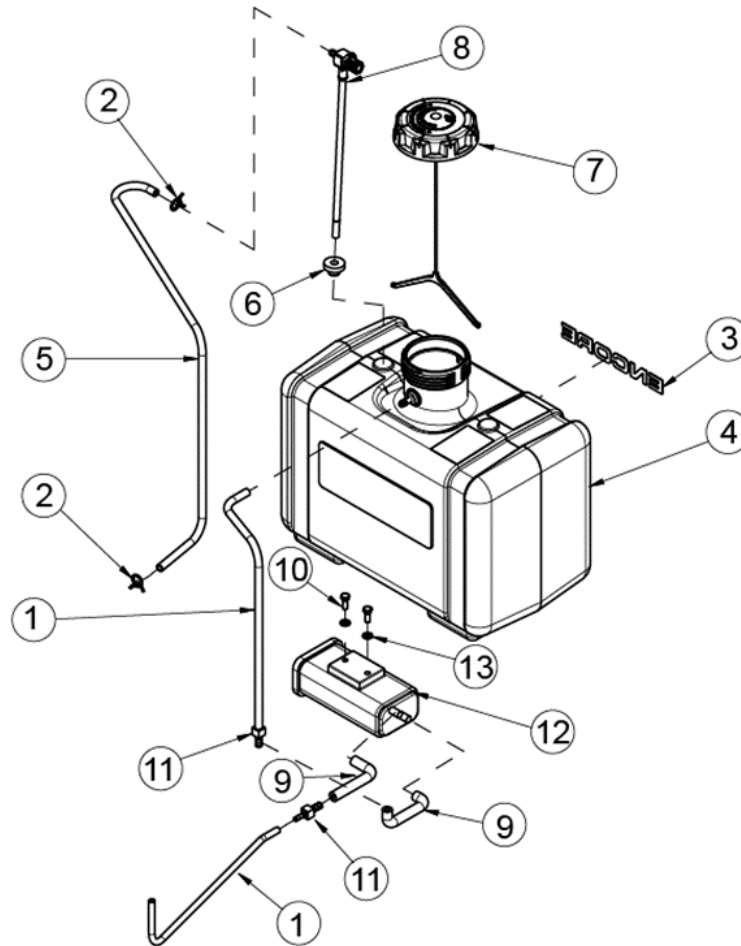
ITEM	PART NO.	DESCRIPTION
1	102004	SCREW, 1/4-20 X 1/2 HWH SERRATED THD CUT
2	104255	1/4-20 HEX NYLOC NUT
3	343134	BATTERY BOOT
4	363345	BATTERY CASE SET
5	363349	BATTERY BELT
6	FOR REFERENCE ONLY	BATTERY, 12V
7	463234	RELAY, START
8	543397	DECAL, BATTERY WARNING
9	583436	LINE CLAMP
10	B6182-8	NUT, NYLOC M8
11	2808106	CABLE, BATTERY POS 60"
	2808103	POSITIVE POLE CABLE 72"
12	2808107	COVER
13	2808132	POSITIVE POLE POST 60"
	2808106	CABLE, BATTERY POS 72"
14	5208013	NEGATIVE POLE
15	B5783-620	SCREW, HH TAP M6x20
16	B5783-820	SCREW, HH TAP M8x20
17	B6182-6	NUT, NYLOC M6
18	B6182-8	NUT, NYLOC M8
19	B801-616	BOLT, CARRIAGE SN M6x16
20	B96-6	WASHER, FLAT LARGE M6
NOT SHOWN	653061	HARNESS, 60" PULL BEHIND
NOT SHOWN	653166	HARNESS, 72" PULL BEHIND

FUEL ASSEMBLY



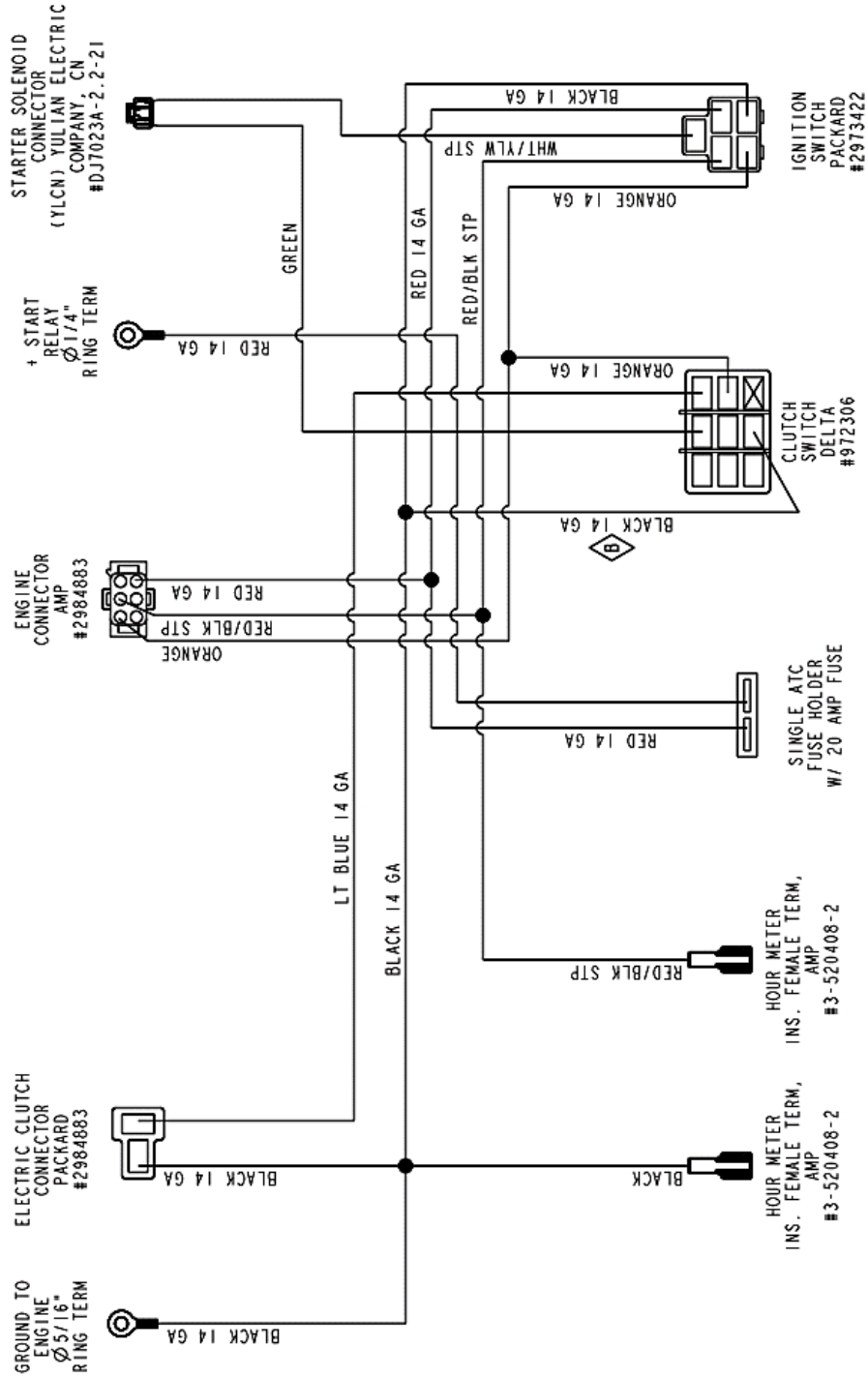
ITEM	PART NO.	DESCRIPTION
1	353223	HOSE, VENT 3/16 X 22"
2	363098	CLAMP, FUEL LINE 1/4 ID
3	363243	SMALL ENCORE LABEL
4	363410	FUEL TANK ASSY EPA/CARB
5	623411	1/4" FUEL LINE - 22"
6	533125	VALVE GROMMET - VITON
7	5204019	GAS CAP-EPA
8	363418	VALVE, FUEL - EPA

FUEL ASSEMBLY - CA



ITEM	PART NO.	DESCRIPTION
1	543361	HOSE, VENT 3/16 ID X 15
2	363098	CLAMP, FUEL LINE 1/4 ID
3	363243	SMALL ENCORE LABEL
4	363410	FUEL TANK ASSY EPA/CARB
5	623411	1/4" FUEL LINE - 22"
6	533125	VALVE GROMMET - VITON
7	5204019	GAS CAP-EPA
8	363418	VALVE, FUEL - EPA
9	623414	HOSE, FUEL 1/4" ID X 4"
10	B5783-616	SCREW, HH TAP M6x16
11	5000130	REDUCER, HOSE 3/16 - 1/4
12	363423	CARBON CANISTER 382 CC
13	105004	1/4 LOCKWASHER-HEAVY

WIRING HARNESS



- NOTES:**
1. ALL WIRE IS 18 GA. UNLESS NOTED OTHERWISE.
 2. ALL WIRE, TERMINALS AND CONNECTION ARE TO BE PER NMMA/ABYC ENGINEERING SPECIFICATIONS.
 3. ALL LIKE COLORED WIRES MUST BE ELECTRONICALLY CONNECTED UNLESS CIRCUIT CODING SHOWS OTHERWISE.
 4. ALL TERMINALS ARE TO BE SIZED TO THE GAUGE OF WIRE THEY ARE BEING INSTALLED ON.
 5. ALL HOUSINGS AND MOLDED PLUGS THAT SHOW PIN POSITION ARE FROM REAR (WIRE SIDE) VIEW.

DECAL GROUP



543392



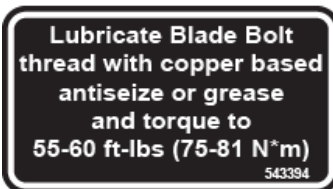
543397



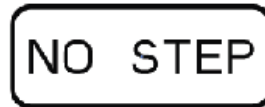
543380



453389



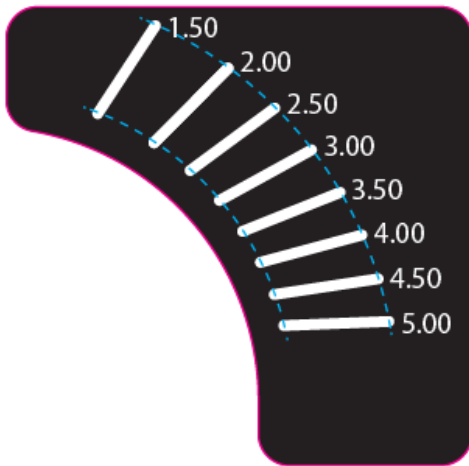
543394



8304



543402



653008



583193

ENCORE

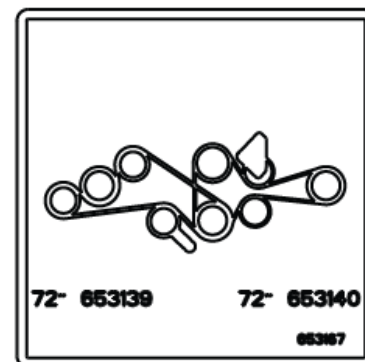
363243

ENCORE

543470

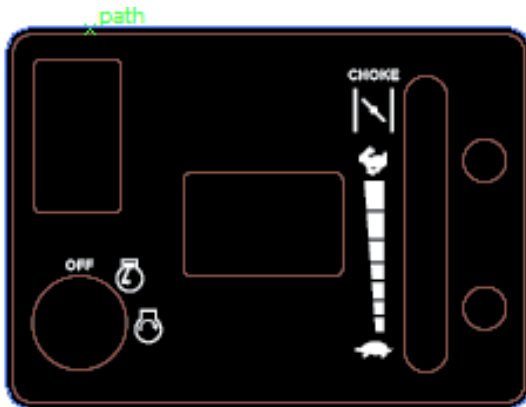
ENCORE

543471

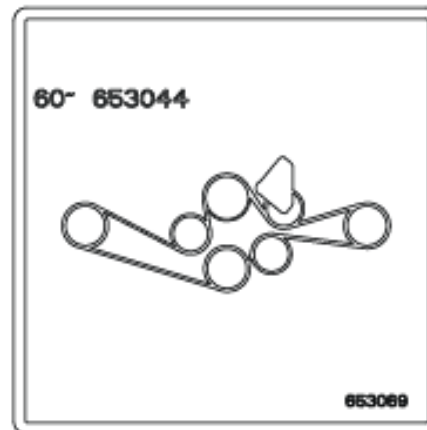


653167

DECAL GROUP



653141



653069

CAUTION

TO REDUCE THE RISK OF INJURY
DO NOT OPERATE MOWER UNLESS
THIS GUARD IS IN ITS PROPER PLACE



363023



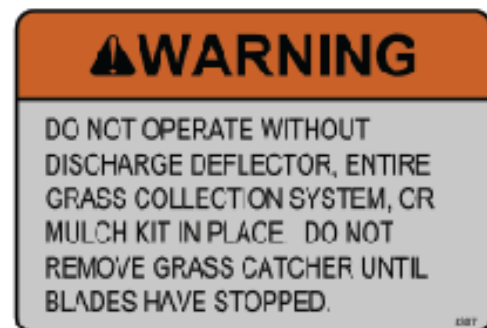
8008



8303



543406



8307

TRACER

653065

