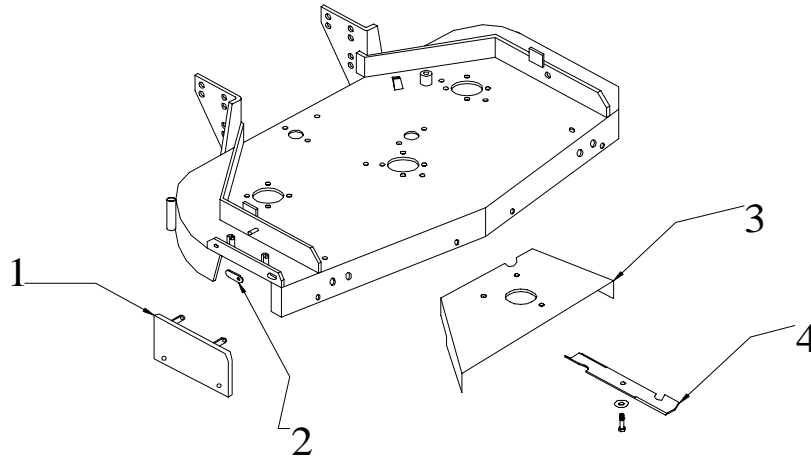




52" Walk Behind Mulch Kit

(part # 521013)

Installation Instructions



- 1) Remove blades
- 2) Remove bottom whizlock nuts from two center belt guides
- 3) Remove inside 5/16 mounting bolt and nut from engagement idler pivot
- 4) Install center mulching baffle around center blade spindle.
- 5) Secure baffle in place using previously removed hardware
- 6) Install three mulching blades provided in kit
- 7) Check that blades do not hit baffle (adjust baffle or blade spindles accordingly)
- 8) Remove the deflector chute
- 9) Install discharge cover and secure in following two locations:
 - a) At the mounting tabs for the discharge chute
 - b) At rear edge of the discharge opening using : self-forming clip, 5/16 x 1 HHCS, 5/16 flat washer, & 5/16 nyloc nut. Be sure to install the HHCS from the inside out through the hole provided in the discharge cover. Tighten the hardware until the self-forming clip forms to the edge of the deck skirt.

*** **Note:** This mulching kit will not function properly if trying to remove more than 1" of grass

PARTS LIST FOR 52" WALK-BEHIND MULCH KIT

Diagram #	Qty	Part #	Description	Qty	Part #	Description
1	1	522148	Discharge Cover	1	104257	3/8-16 Nyloc Nut
2	1	363297	Self-forming Clip	2	105260	3/8-16 Flat Washer
3	1	523471	Center Mulch Baffle	1	100273	5/16-18x1 HHCS
4	3	523376	18" Mulch Blade	1	104256	5/16-18 Nyloc Nut
	1	100293	3/8-16x1 1/4 HHCS	1	105258	5/16 -18 Flat Washer