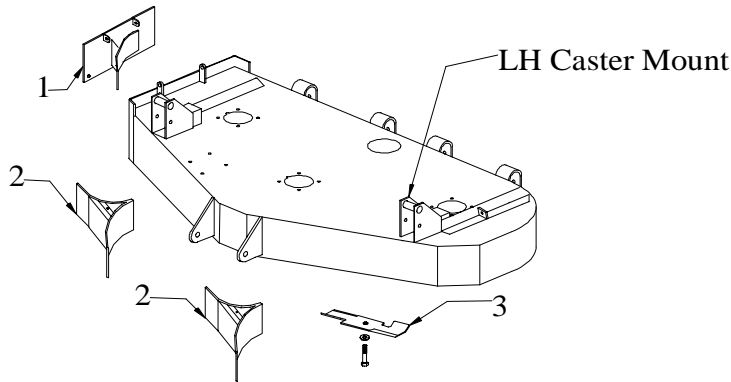




# 52 Prowler Mulch Kit

(part # 521022)

## Installation Instructions



### Installing Left Mulch Baffle on Frontcut & Midcut

After laying out the hardware, remove the deflector chute. Remove template labeled **Left Side Baffle** and fold or cut along dotted lines. Place template onto deck against the side of the left caster mount and even with the front edge of the subplate. Mark holes and drill two 11/32" holes into the top of the deck. Bolt baffle into place using two 5/16x1 HHCS and two 5/16 Nyloc Nuts. **\*\*\* For best results:** drill one hole, bolt in baffle, and use 2nd existing hole in baffle as guide for drilling second hole into deck.

### Installing Right Mulch Baffle on Midcut

Remove the two front carriage bolts from the deck lift bracket on the deck. Bolt into the existing holes the second baffle using two 5/16x1 HHCS and two 5/16 Nyloc Nuts.

### Installing Right Mulch Baffle on Frontcut

Remove template labeled **Frontcut 52 Right Side** and fold or cut along dotted lines. Place template onto deck against the side of the right caster mount and even with the front edge of the subplate. Mark holes and drill two 11/32" holes into top of deck and bolt the baffle into place using two 5/16x1 HHCS and two 5/16 Nyloc Nuts. **\*\*\* For best results:** drill one hole, bolt in baffle, and use 2nd existing hole in baffle as guide for drilling second hole into deck.

At this time, remove existing blades and install three mulch blades included in kit. Torque the blade bolts to 90ft-lbs. Check clearance between blades and baffles. Adjust spindles if necessary. Finally, bolt discharge cover into place using two 5/16x1 HHCS and two 5/16 Nyloc Nuts. Using the discharge cover as a guide, an additional 11/32" hole may be drilled into side of the deck at lower RH corner of discharge cover. Secure into place using 5/16x1 HHCS and 5/16 Nyloc Nut.

### Partslist for 52" Prowler

Diagram #	Qty	Part #	Description	Qty	Part#	Description
1	1	592048	Discharge Cover	7	104256	5/16-18 Nyloc Nut
2	2	522172	Mulch Baffle	7	100273	5/16-18x1 HHCS
3	3	823353	18" Mulch Blade			