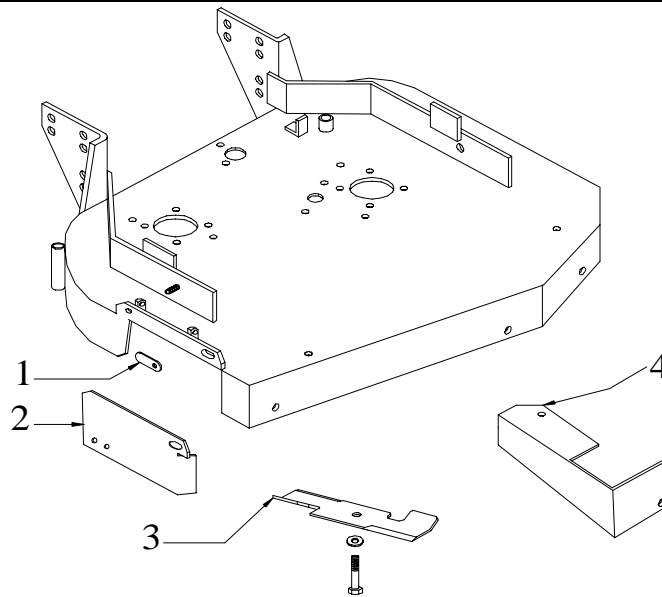




# 36" Walk Behind Mulch Kit

(part # 361005)

## Installation Instructions



- 1) Remove blades
- 2) Remove forward most 5/16 nut and bolt that mounts engagement idler pivot
- 3) Remove the nut from the center bumper bolt
- 4) Install center blade divider
- 5) Secure blade divider in place using previously removed hardware
- 6) Install two mulching blades provided in kit
- 7) Check that blades do not hit blade divider (adjust divider or blade spindles accordingly)
- 8) Lift deflector chute up
- 9) Install discharge cover and secure in following two locations:
  - a) At the grass catcher mount pin hole using: 3/8 x 1 1/4 HHCS, two 3/8 flat washers, & 3/8 nyloc nut
  - b) At rear edge of the discharge opening using : self-forming clip, 5/16 x 1 HHCS, 5/16 flat washer, & 5/16 nyloc nut. Be sure to install the HHCS from the inside out through the hole provided in the discharge cover. Tighten the hardware until the self-forming clip forms to the edge of the deck skirt.

\*\*\* **Note:** This mulching kit will not function properly if trying to remove more than 1" of grass

### PARTS LIST FOR 36" WALK-BEHIND MULCH KIT

Diagram #	Qty	Part #	Description	Qty	Part #	Description
1	1	363297	Self-forming Clip	1	104257	3/8-16 Nyloc Nut
2	1	363314	Discharge Cover	2	105260	3/8-16 Flat Washer
3	2	523376	18" Mulch Blade	1	100273	5/16-18x1 HHCS
4	1	363299	Blade Divider	1	104256	5/16-18 Nyloc Nut
	1	100293	3/8-16x1 1/4 HHCS	1	105258	5/16 -18 Flat Washer