

**582400 to 582499**

# Illustrated Parts List

## Model Series

### 582400 to 582499

### DIESEL

#### TYPE NUMBERS

0105, 0125, 0130,  
0131, 0205, 0209,  
0211, 0219, 0221,  
0222, 0225, 0230,  
0231, 0232, 0233,

#### TO FIND

#### THE CORRECT NUMBER OF THE PART YOU NEED: FOLLOW THE INSTRUCTIONS BELOW

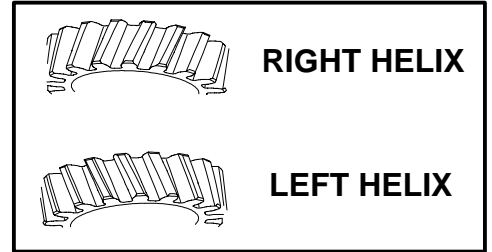
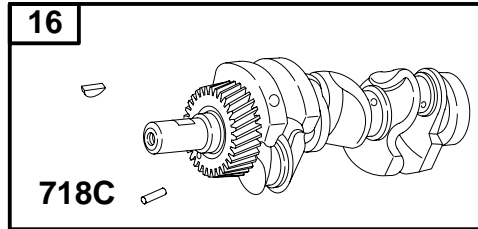
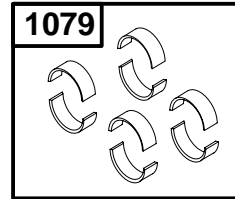
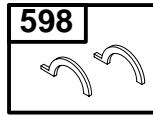
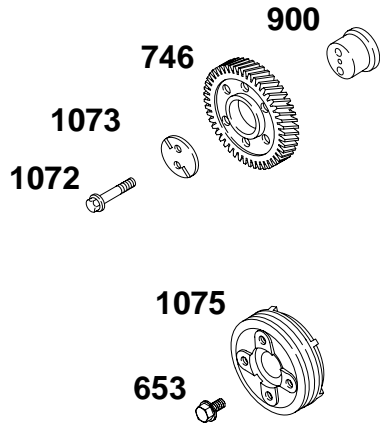
- A. Refer to Model, Type and Code Number that is located on the engine. Engine type numbers such as 0123 01 are listed only as 0123 in most instances. The two digits (01 or 02, etc.) to the right of the space may be required for more accurate parts identification in some instances. Select the Illustrated Parts List covering the correct Model Series and Type Number.
- B. Refer to the Illustrations and compare the original part with Illustration. The number next to the illustration is the Reference Number. Assemblies include all parts shown in frames. All parts shown in assembly frames having individual reference numbers can be purchased separately.
- C. After the Reference Number has been identified, refer to the Numerical text, where Reference and Primary Part Number are listed. **THE PRIMARY PART IS USED ON ALL TYPE NUMBERS EXCEPT THOSE TYPE NUMBERS UNDER "NOTE"**.
- D. If a "Note" appears below the Primary Part Number, it means that this part differs from the Primary Part for certain types. If your Type number is listed under "Note," order the part referred to at the "Note".
- E. If your Engine Type Number does not appear after any part number listed under "Note", use the Primary Part Number.
- F. For Engine Type Numbers not covered by this book, check other Parts Lists having the same engine model or contact your source of supply.
- G. **REFER TO REPAIR MANUAL MS 1055 FOR ASSEMBLY AND/OR TORQUE REQUIREMENTS.**

PRINTED IN U.S.A.



COPYRIGHT by BRIGGS & STRATTON DAIHATSU LLC  
All rights reserved. No part of this material may be reproduced or transmitted, in any form or by any means, electronic or mechanical, including photocopying, recording or by any information storage and retrieval system, without permission in writing from Briggs & Stratton DAIHATSU LLC.

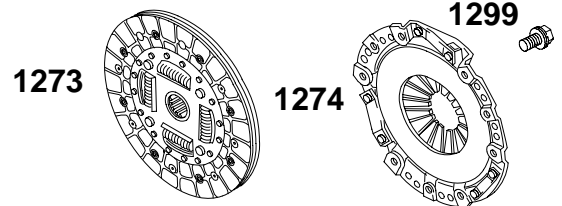
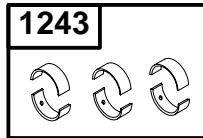
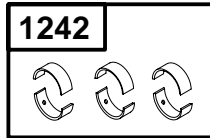
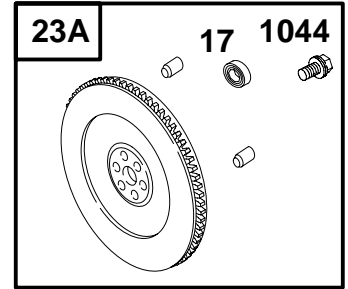
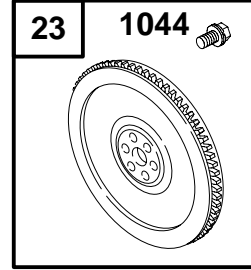
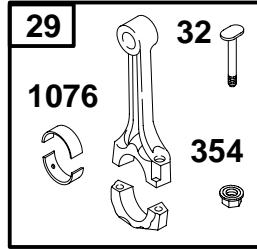
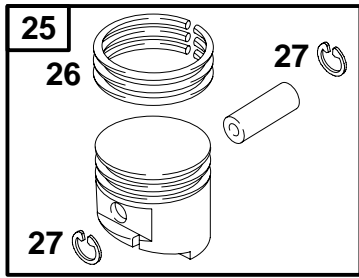




REF. NO.	PART NO.	DESCRIPTION	REF. NO.	PART NO.	DESCRIPTION	REF. NO.	PART NO.	DESCRIPTION
16	825318	Crankshaft (Used After Code Date 99063000). Used on Type No(s). 0205, 0211, 0219, 0221, 0222, 0225, 0230, 0231, 0232, 0233. <b>Note</b> ——— <b>825318</b> Crankshaft (Used After Code Date 98123100 and Before Code Date 99070100). Used on Type No(s). 0105, 0125, 0130, 0131, 0205, 0230, 0231. <b>825193</b> Crankshaft (Used Before Code Date 99010100). Used on Type No(s). 0105, 0125, 0130, 0131. <b>825552</b> Crankshaft Used on Type No(s). 0211.	653	820079	Screw (Crankshaft Pulley)	900	820116	Shaft–Gear
			718C	820059	Pin–Locating	1072	820081	Screw (Idler Gear Plate)
			746	820611	Gear–Idler (Right Helix) (Used After Code Date 99063000). Used on Type No(s). 0205, 0211, 0219, 0221, 0222, 0225, 0230, 0231, 0232, 0233. <b>Note</b> ——— <b>820611</b> Gear–Idler (Right Helix) (Used After Code Date 98123100 and Before Code Date 99070100). Used on Type No(s). 0105, 0125, 0130, 0131, 0205, 0230, 0231. <b>825013</b> Gear–Idler (Left Helix) (Used Before Code Date 99010100). Used on Type No(s). 0105, 0125, 0130, 0131.	1073	820117	Plate–Idler Gear
						1075	820236	Pulley–Crankshaft (4 Holes) <b>Note</b> ——— <b>820123</b> Pulley– Crankshaft (3 Holes)
						1079	825040	Bearing Set/STD–Main (Standard) <b>Note</b> ——— <b>825039</b> Bearing– Set/010–Main (.010" Undersize)
598	820140	Shim–Endplay (Crankshaft) (Standard) <b>Note</b> ——— <b>820139</b> Shim– Endplay (Crankshaft) (.005" Oversize)						

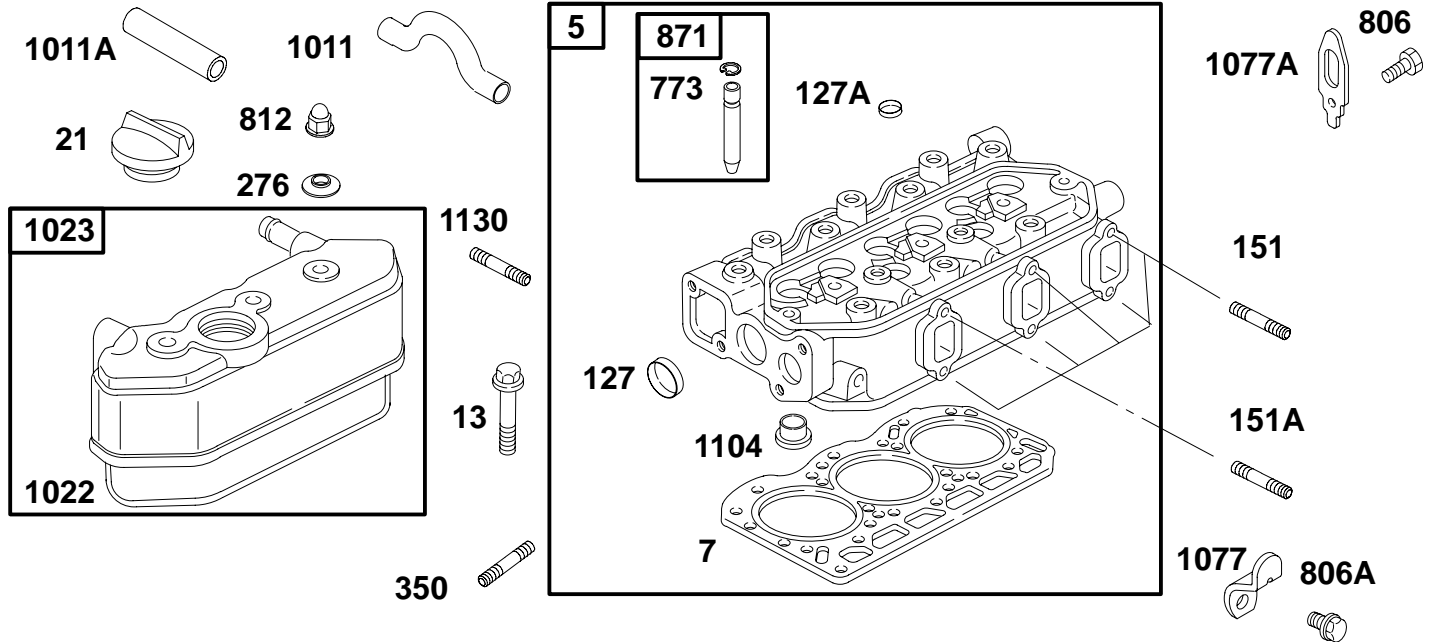
★ Engine Gasket Set – Reference 358  
 Δ Valve Gasket Set – Reference 1095

# 582400 to 582499



REF. NO.	PART NO.	DESCRIPTION	REF. NO.	PART NO.	DESCRIPTION	REF. NO.	PART NO.	DESCRIPTION
17	820919	Bearing-Ball Used on Type No(s). 0211.	25	825354	Piston Assembly (Standard) (Used After Code Date 98123100).	27	820402	Lock-Piston Pin
23	825303	Flywheel  <b>Note</b> _____ 825302 Flywheel Used on Type No(s). 0125, 0225. 825237 Flywheel Used on Type No(s). 0130, 0230.			<b>Note</b> _____ 825191 Piston Assembly (Standard) (Used Before Code Date 99010100). 825355 Piston Assembly (.010" Oversize) (Used After Code Date 98123100). 825192 Piston Assembly (.010" Oversize) (Used Before Code Date 99010100).	29	825171	Rod-Connecting
23A	825488	Flywheel Used on Type No(s). 0211.	26	825187	Ring Set (Standard)  <b>Note</b> _____ 825188 Ring Set (.010" Oversize)	32	820128	Screw (Connecting Rod)
						354	820073	Nut (Connecting Rod)
						1044	820080	Screw (Flywheel)
						1076	820142	Bearing/STD-Rod (Standard)
						1242	825019	Bearing Set/STD-Rod (Standard)
						1243	825060	Bearing Set/010-Rod (.010" Oversize)
						1273	820923	Disc-Clutch Used on Type No(s). 0211.
						1274	825492	Clutch-Pressure Plate Used on Type No(s). 0211.
						1299	820212	Screw (Pressure Plate Clutch)

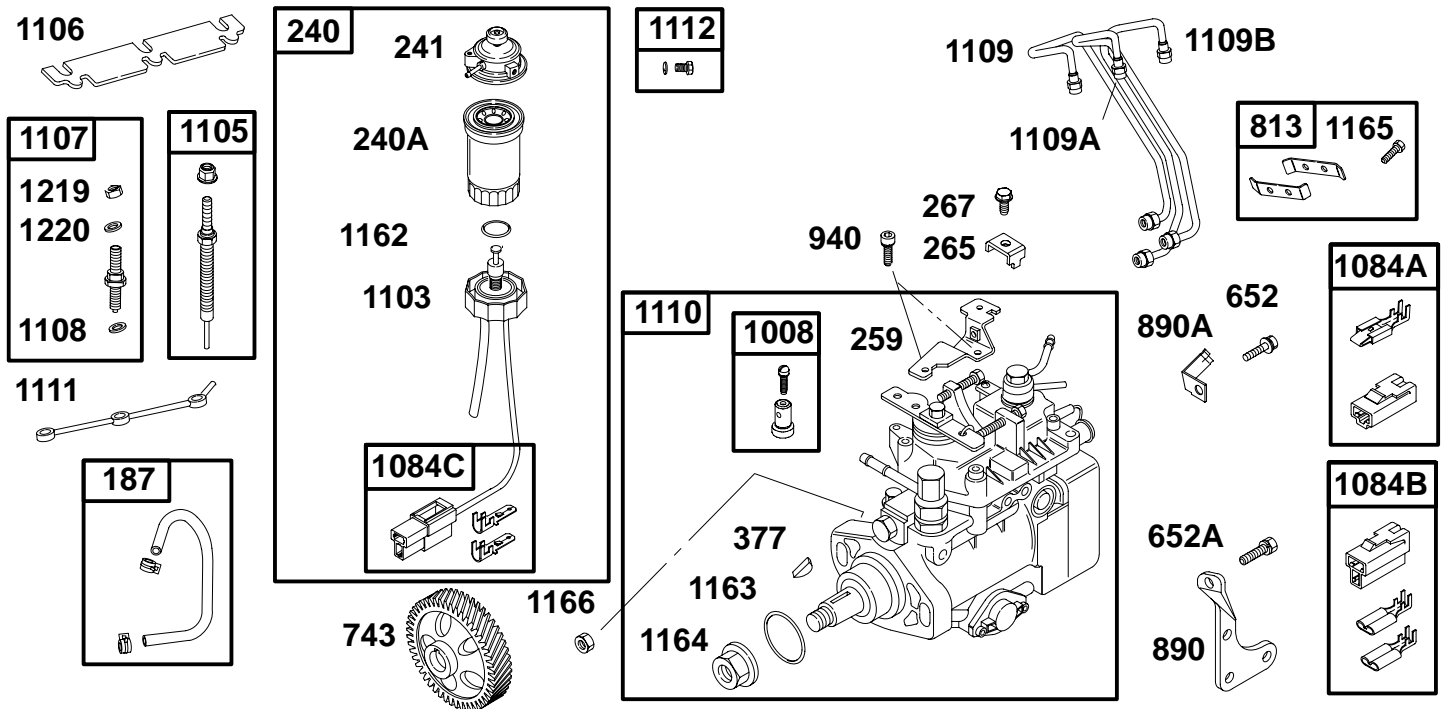
★ Engine Gasket Set - Reference 358  
 △ Valve Gasket Set - Reference 1095



REF. NO.	PART NO.	DESCRIPTION	REF. NO.	PART NO.	DESCRIPTION	REF. NO.	PART NO.	DESCRIPTION
5	825347	Head-Cylinder (Used After Code Date 98123100). <b>Note</b> 825184 Head-Cylinder (Used Before Code Date 99010100).			<b>Note</b> 820623 Screw (Cylinder Head) (9 mm) (Used After Code Date 98123100 and Before Code Date 99070100). Used on Type No(s). 0105, 0125, 0130, 0131, 0205, 0230, 0231. 820074 Screw (Cylinder Head) (8 mm) (Used Before Code Date 99010100).	806	820212	Screw (Lifting Bracket)
7	★Δ820660	Gasket-Cylinder Head (Used After Code Date 98123100). <b>Note</b> 820351 Gasket-Cylinder Head (Used Before Code Date 99010100).				806A	820024	Screw (Lifting Bracket)
13	820623	Screw (Cylinder Head) (9 mm) (Used After Code Date 99063000). Used on Type No(s). 0205, 0211, 0219, 0221, 0222, 0225, 0230, 0231, 0232, 0233.	21	825024	Cap-Oil Fill	812	820071	Nut (Rocker Cover)
			127	820004	Plug-Welch	871	825030	Bushing-Valve Guide
			127A	820005	Plug-Welch	1011	821003	Tube-Vent (Used After Code Date 01103100).
			151	820014	Stud (Exhaust Manifold)	1011A	820380	Tube-Vent (Used Before Code Date 01110100).
			151A	820466	Stud (Exhaust Manifold)	1022	★Δ820150	Gasket-Rocker Cover
			276	★Δ820064	Washer-Sealing (Rocker Cover)	1023	825088	Cover-Rocker
			350	820078	Stud (Water Pump)	1077	820260	Bracket-Lifting
			773	820130	Retainer	1077A	820254	Bracket-Lifting
						1104	820353	Chamber-Combustion (Used Before Code Date 99010100). Used on Type No(s). 0105, 0130. <b>Note</b> 820552 Chamber-Combustion (Used Before Code Date 99010100). Used on Type No(s). 0125, 0131.
						1130	820015	Stud (Intake Manifold)

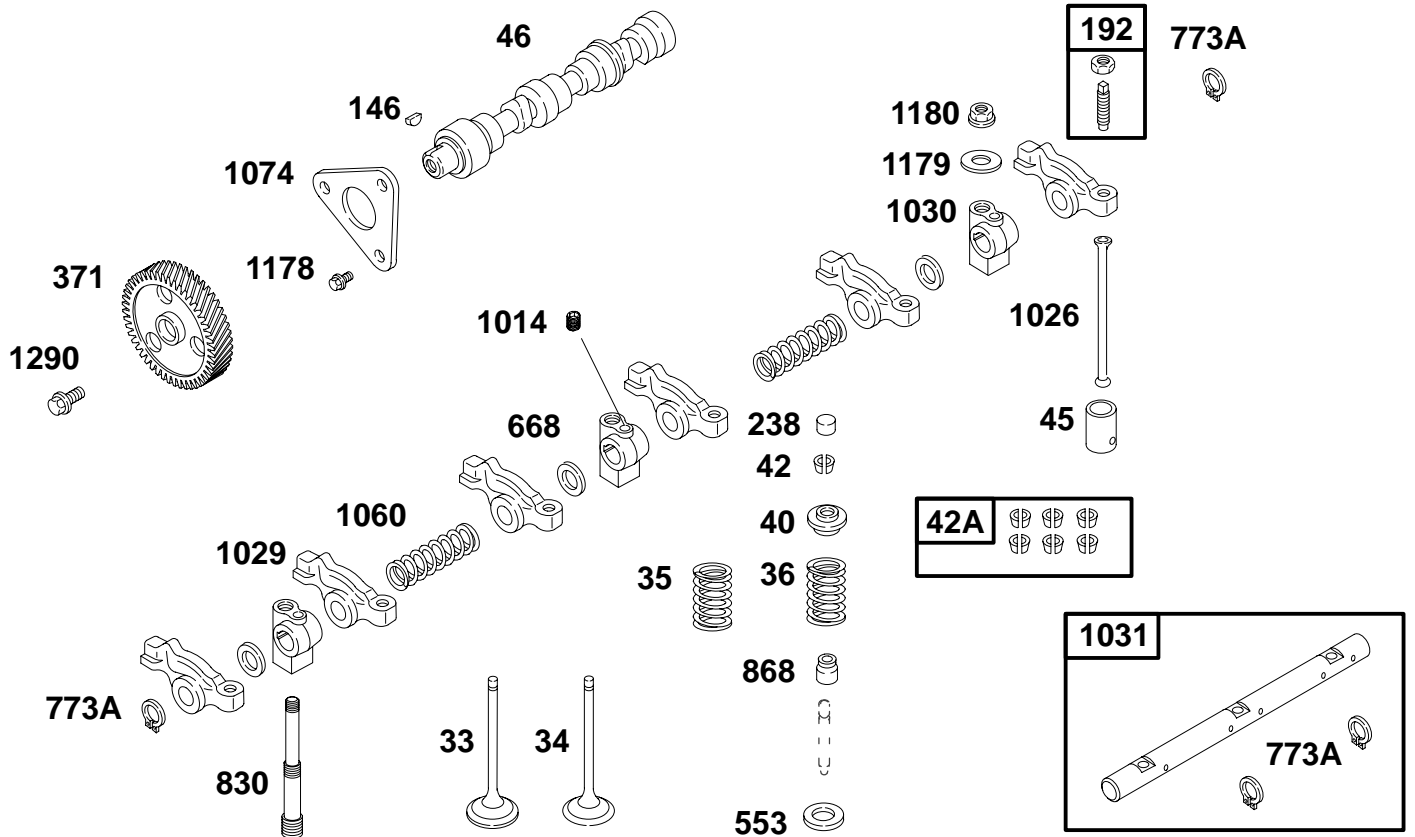
★ Engine Gasket Set - Reference 358  
 Δ Valve Gasket Set - Reference 1095

# 582400 to 582499



REF. NO.	PART NO.	DESCRIPTION	REF. NO.	PART NO.	DESCRIPTION	REF. NO.	PART NO.	DESCRIPTION
187	825179	Line—Fuel			(Used After Code Date	1105	825176	Plug—Glow
240	825219	Filter—Fuel			98123100 and Before	1106	820409	Strap—Glow Plug
240A	820311	Filter—Fuel (Includes Reference 1162)			Code Date 99070100). Used on Type No(s). 0105, 0125, 0130, 0131, 0205, 0230, 0231.	1107	825178	Nozzle—Injector
241	820344	Cover—Fuel Filter (Includes Reference 1112)			<b>820416</b> Gear—Drive (Left Helix)	1108	820411	Seat—Injector
259	820634	Bracket—Casing Clamp			(Used Before Code Date 99010100).	1109	825194	Pipe—Injector #1
265	691024	Clamp—Casing				1109A	825195	Pipe—Injector #2
267	820229	Screw (Casing Clamp)				1109B	825196	Pipe—Injector #3
377	821064	Key—Woodruff (Injection Pump)	813	825197	Clamp	1110	825300	Pump—Injection
652	820593	Screw (Support Bracket)	890	820415	Bracket—Support			<b>Note</b>
652A	820272	Screw (Support Bracket)	890A	820479	Bracket—Support			<b>825299</b> Pump— Injection
743	820619	Gear—Drive (Right Helix) (Used After Code Date 99063000). Used on Type No(s). 0205, 0211, 0219, 0221, 0222, 0225, 0230, 0231, 0232, 0233.	940	820640	Screw (Casing Clamp Bracket)	1111	820412	Pipe—Fuel Return
		<b>Note</b>	1008	820467	Clamp—Swivel	1112	825198	Plug—Vent
		<b>820619</b> Gear—Drive (Right Helix)	1084A	825266	Connector—Terminal (Injection Pump)	1162	820348	Seal—O Ring (Fuel Filter Sensor)
			1084B	825157	Connector—Terminal (Fuel Filter)	1163	820414	Seal—O Ring (Injection Pump)
			1084C	825156	Connector—Terminal (Fuel Filter)	1164	820419	Nut (Injection Pump) (Shaft)
			1103	820347	Sensor—Fuel Filter (Includes Reference 1162)	1165	820031	Screw (Clamp)
						1166	820417	Nut (Injection Pump)
						1219	820829	Nut (Injector Nozzle)
						1220	820831	Washer (Injector Nozzle)

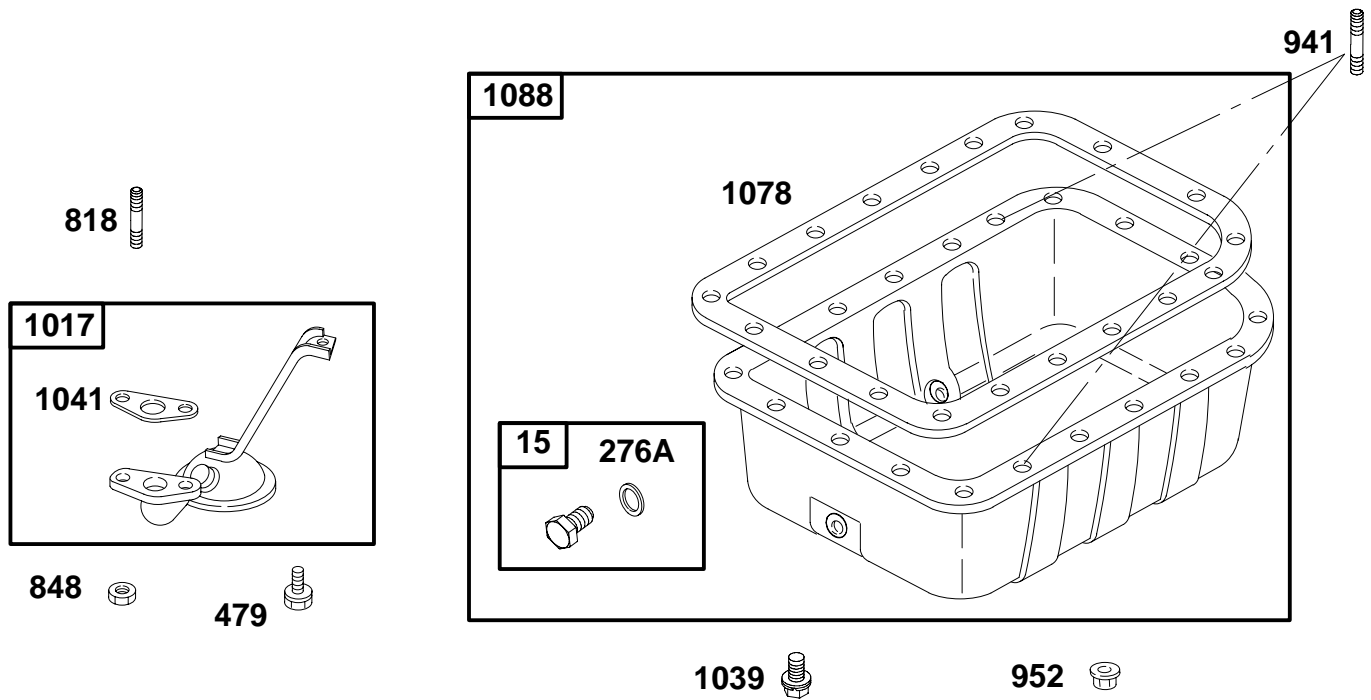
★ Engine Gasket Set – Reference 358  
 △ Valve Gasket Set – Reference 1095



REF. NO.	PART NO.	DESCRIPTION	REF. NO.	PART NO.	DESCRIPTION	REF. NO.	PART NO.	DESCRIPTION
33	820404	Valve-Exhaust	371	820613	Gear-Cam (Right Helix)	553	820112	Retainer-Valve Spring
34	820403	Valve-Intake			(Used After Code Date 99063000).	668	820065	Spacer (Rocker Arm Shaft)
35	820406	Spring-Valve (Intake)			Used on Type No(s). 0205, 0211, 0219, 0221, 0222, 0225, 0230, 0231, 0232, 0233.	773A	820003	Retainer
36	820406	Spring-Valve (Exhaust)			<b>Note</b>	830	820076	Stud-Rocker Arm
40	820111	Retainer-Valve			<b>820613</b> Gear-Cam (Right Helix)	868	820405	Seal-Valve
42	825042	Keeper-Valve (Contains 1 Set)			(Used After Code Date 98123100 and Before Code Date 99070100).	1014	820105	Screw (Rocker Arm Support)
42A	825082	Keeper-Valve (Contains 6 Sets)			Used on Type No(s). 0105, 0125, 0130, 0131, 0205, 0230, 0231.	1026	820422	Rod-Push
45	820110	Tappet-Valve			<b>820119</b> Gear-Cam (Left Helix)	1029	820387	Arm-Rocker
46	820388	Camshaft			(Used Before Code Date 99010100).	1030	820106	Support-Rocker Arm
146	691639	Key-Timing				1031	825093	Shaft-Rocker Arm
192	825041	Adjuster-Rocker Arm				1060	820044	Spring-Rocker Shaft
238	820113	Cap-Valve				1074	820118	Retainer-Camshaft
						1178	820032	Screw (Camshaft Retainer)
						1179	820177	Washer (Rocker Arm Support)
						1180	820070	Nut (Rocker Arm Support)
						1290	820075	Screw (Cam Gear)

★ Engine Gasket Set – Reference 358  
 △ Valve Gasket Set – Reference 1095

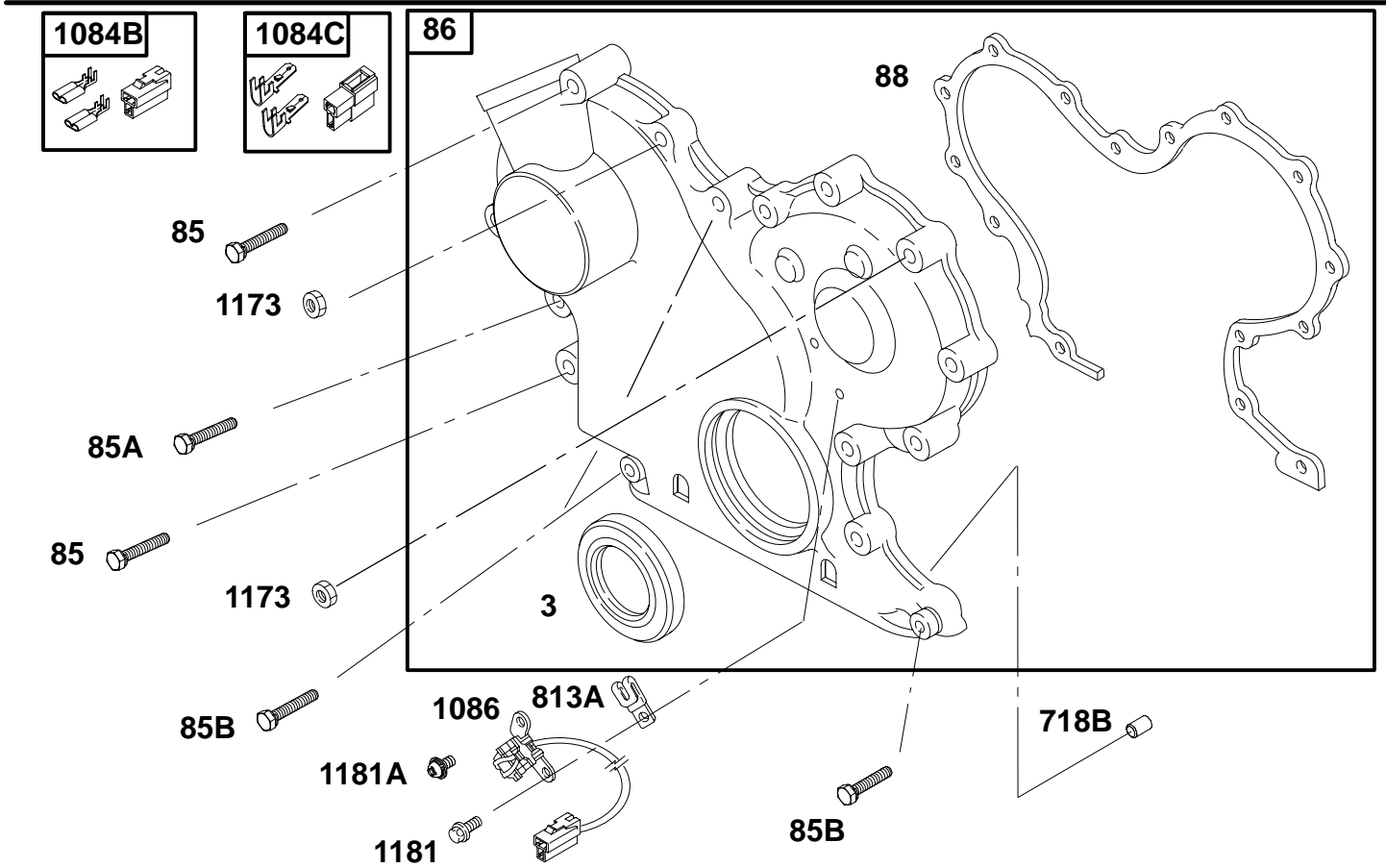
# 582400 to 582499



REF. NO.	PART NO.	DESCRIPTION	REF. NO.	PART NO.	DESCRIPTION	REF. NO.	PART NO.	DESCRIPTION
15	825278	Plug—Oil Drain (16 mm) <b>Note</b> — 825043 Plug—Oil Drain (12 mm)	479	820034	Screw (Oil Pump Screen)	1017	825089	Screen—Oil Pump
276A	★820582	Washer—Sealing (Oil Drain Plug) (16 mm) <b>Note</b> — ★820049 Washer— Sealing (Oil Drain Plug) (12 mm)	818	820016	Stud (Oil Pump Screen)	1039	820034	Screw (Oil Pan)
			848	820069	Nut (Oil Pump Screen)	1041	★820104	Gasket—Oil Pump Screen
			941	820017	Stud (Oil Pan)	1078	★820137	Gasket—Oil Pan
			952	820068	Nut (Oil Pan)	1088	825285	Pan—Oil (Dual Drain) (16 mm)

★ Engine Gasket Set – Reference 358  
 Δ Valve Gasket Set – Reference 1095

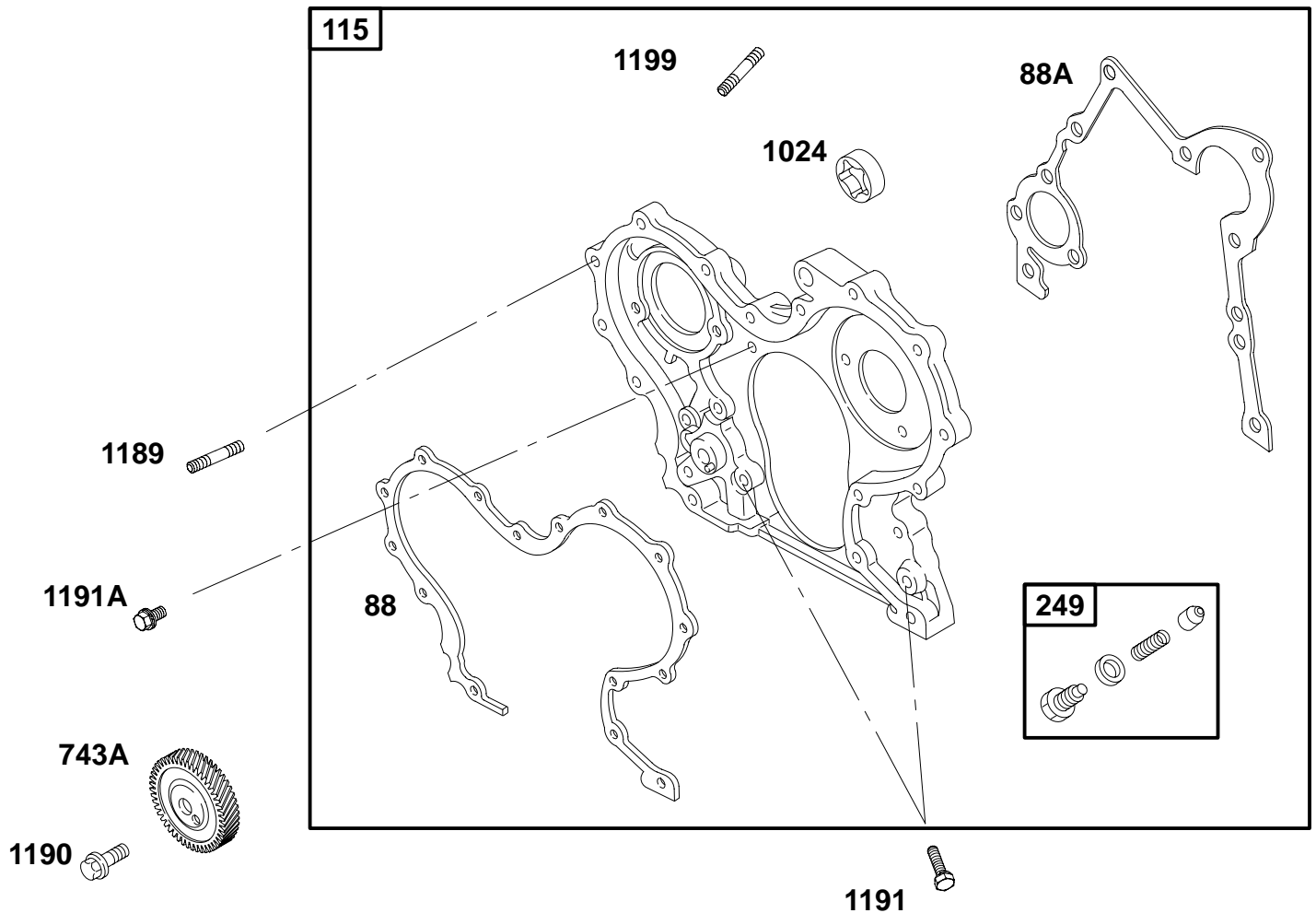




REF. NO.	PART NO.	DESCRIPTION	REF. NO.	PART NO.	DESCRIPTION	REF. NO.	PART NO.	DESCRIPTION
3	★820055	Seal–Oil (Magneto Side)	718B	820061	Pin–Locating	1173	820069	Nut (Gear Cover)
85	820425	Screw (Gear Cover)	813A	820047	Clamp	1181	820029	Screw (Ignition Trigger)
85A	820029	Screw (Gear Cover)	1084B	825157	Connector–Terminal (Alternator/Ignition Trigger)	1181A	820013	Screw (Ignition Trigger)
85B	820027	Screw (Gear Cover)	1084C	825156	Connector–Terminal (Trigger)			
86	825185	Cover–Gear	1086	825009	Trigger–Ignition			
88	★820377	Gasket–Gear Reduction Cover						

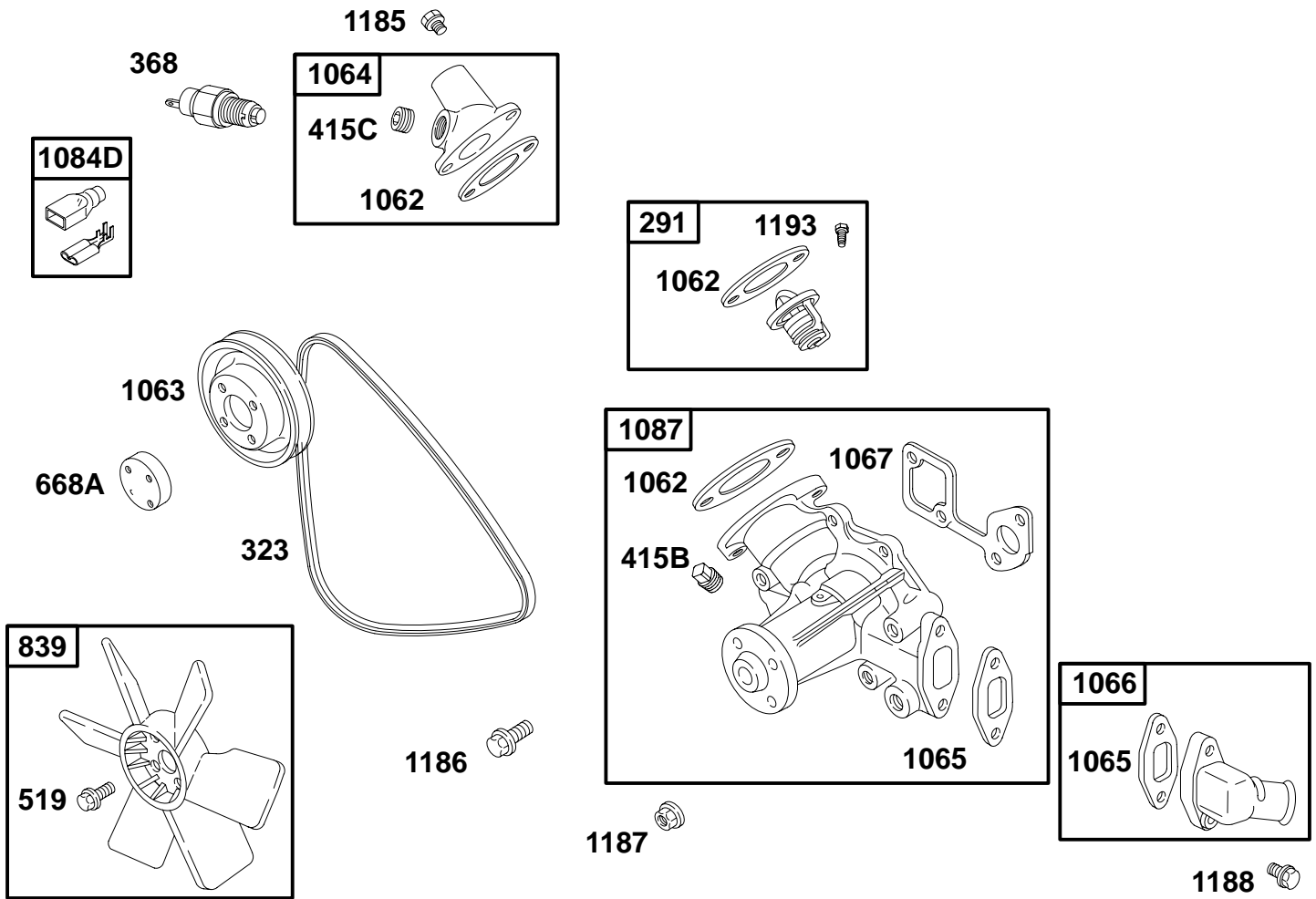
★ Engine Gasket Set – Reference 358  
 △ Valve Gasket Set – Reference 1095

# 582400 to 582499



REF. NO.	PART NO.	DESCRIPTION	REF. NO.	PART NO.	DESCRIPTION	REF. NO.	PART NO.	DESCRIPTION
88	★820377	Gasket–Gear Reduction Cover			<p align="center"><b>———— Note ———</b></p> <p><b>820615</b> Gear–Drive (Oil Pump) (Right Helix) (Used After Code Date 98123100 and Before Code Date 99070100). Used on Type No(s). 0105, 0125, 0130, 0131, 0205, 0230, 0231.</p> <p><b>820121</b> Gear–Drive (Oil Pump) (Left Helix) (Used Before Code Date 99010100).</p>	1024		Pump–Oil (Sold in Gear Housing Only, Reference 115)
88A	★820155	Gasket–Gear Reduction Cover				1189	820156	Stud (Gear Housing)
115	825186	Housing–Gear			1190	820180	Screw (Drive Gear)	
249	825032	Valve–Pressure Relief			1191	820030	Screw (Gear Housing)	
743A	820615	Gear–Drive (Oil Pump) (Right Helix) (Used After Code Date 99063000). Used on Type No(s). 0205, 0211, 0219, 0221, 0222, 0225, 0230, 0231, 0232, 0233.			1191A	820033	Screw (Gear Housing)	
					1199	820426	Stud (Injector Pump)	

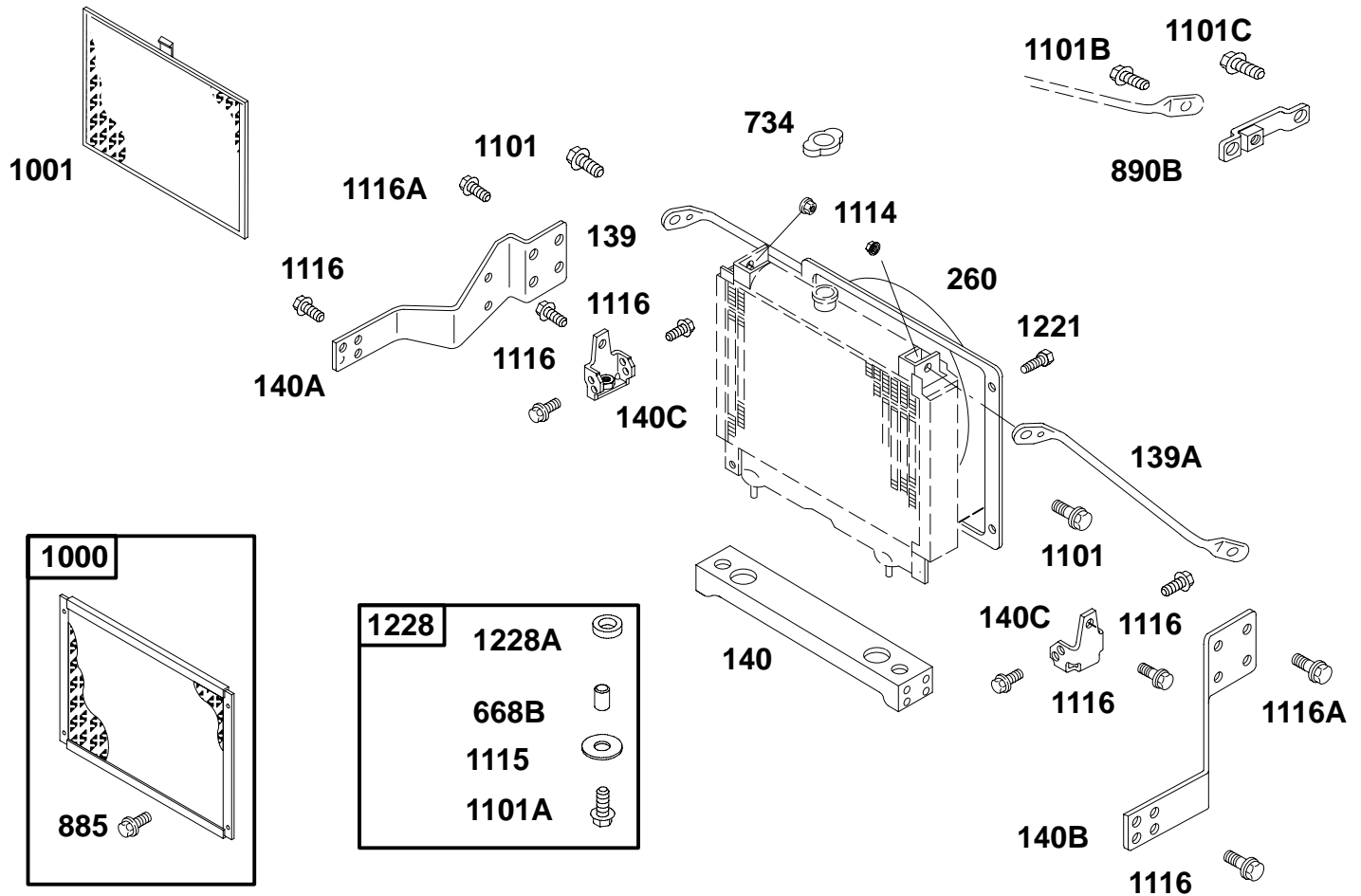
★ Engine Gasket Set – Reference 358  
 △ Valve Gasket Set – Reference 1095



REF. NO.	PART NO.	DESCRIPTION	REF. NO.	PART NO.	DESCRIPTION	REF. NO.	PART NO.	DESCRIPTION
291	825064	Thermostat	668A	820218	Spacer (Radiator Fan)	1067	★820100	Gasket–Water Pump
323	820271	Belt–Vee (940 mm)	839	825454	Fan–Radiator (340 mm)	1084D	825160	Connector–Terminal (Water Temperature Switch)
		<b>Note</b>			<b>Note</b>	1087	825265	Pump–Water
368	820208	Switch–Water Temperature			825136 Fan–Radiator (320 mm, Puller) (Includes Spacer, Reference 668) Used on Type No(s). 0130, 0131, 0231.			<b>Note</b>
415B	820182	Plug (Water Pump)			825223 Fan–Radiator (290 mm, Puller) Used on Type No(s). 0105, 0125.			825565 Pump–Water Used on Type No(s). 0211.
415C	820052	Plug (Outlet Housing)	1062	★820093	Gasket–Outlet Housing	1185	820031	Screw (Outlet Housing)
519	820034	Screw (Radiator Fan)	1063	820095	Pulley–Pump	1186	820022	Screw (Water Pump)
		<b>Note</b>	1064	825074	Housing–Outlet	1187	820181	Nut (Water Pump)
		820030 Screw (Radiator Fan) Used on Type No(s). 0131, 0231.	1065	★820098	Gasket–Inlet Housing	1188	820031	Screw (Inlet Housing)
			1066	825051	Housing–Inlet	1193	820185	Screw (Thermostat)

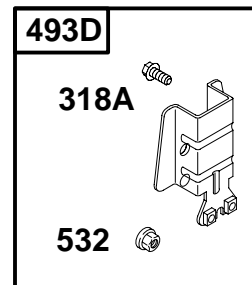
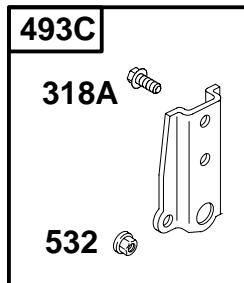
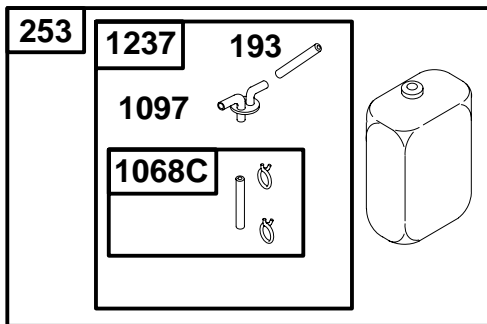
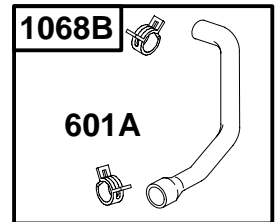
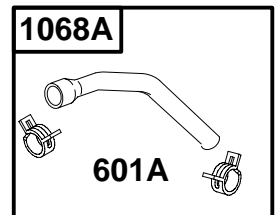
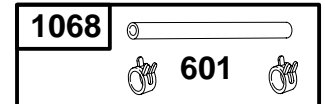
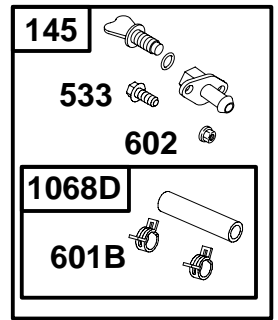
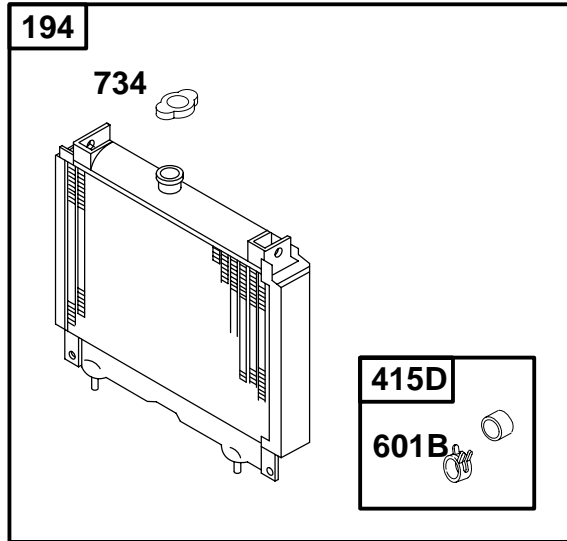
★ Engine Gasket Set – Reference 358  
 Δ Valve Gasket Set – Reference 1095

# 582400 to 582499



REF. NO.	PART NO.	DESCRIPTION	REF. NO.	PART NO.	DESCRIPTION	REF. NO.	PART NO.	DESCRIPTION
139	820617	Support-Radiator (Right Hand)	734	820258	Cap-Radiator	1116	820174	Screw (Radiator Bracket)
139A	820191	Support-Radiator (Left Hand)	885	820636	Screw (Radiator Guard)	1116A	820024	Screw (Radiator Bracket) (Used With Engine Mounts Only)
140	820255	Bracket-Radiator (Front)	890B	820194	Bracket-Support (Radiator)	<p>———— <b>Note</b> ———</p> <p><b>820023</b> Screw (Radiator Bracket) (Used With Engine Mounts And Radiator Brackets)</p>		
140A	820192	Bracket-Radiator (Right Hand)	1000	825103	Guard-Radiator			
140B	820193	Bracket-Radiator (Left Hand)	1001	820259	Screen-Radiator	1221	820636	Screw (Fan Shroud) (320 mm Fan)
140C	820294	Bracket-Radiator	1101	820272	Screw (Radiator Support)	<p>———— <b>Note</b> ———</p> <p><b>820865</b> Screw (Fan Shroud) (340 mm Fan)</p>		
260	820220	Shroud-Fan (320 mm)	1101A	820309	Screw (Radiator Support)			
668B	820307	Spacer (Radiator Support)	1101B	820273	Screw (Radiator Support)	1228	825135	Mount-Radiator (Contains 2 Sets)
			1101C	820452	Screw (Radiator Support)	1228A	820198	Mount-Radiator
			1114	820070	Nut (Radiator Support)			
			1115	820296	Washer (Radiator Support)			

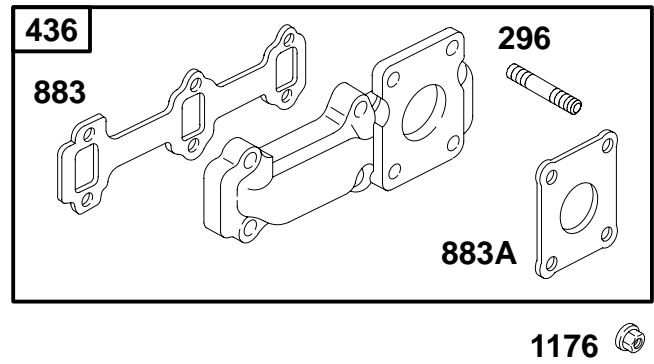
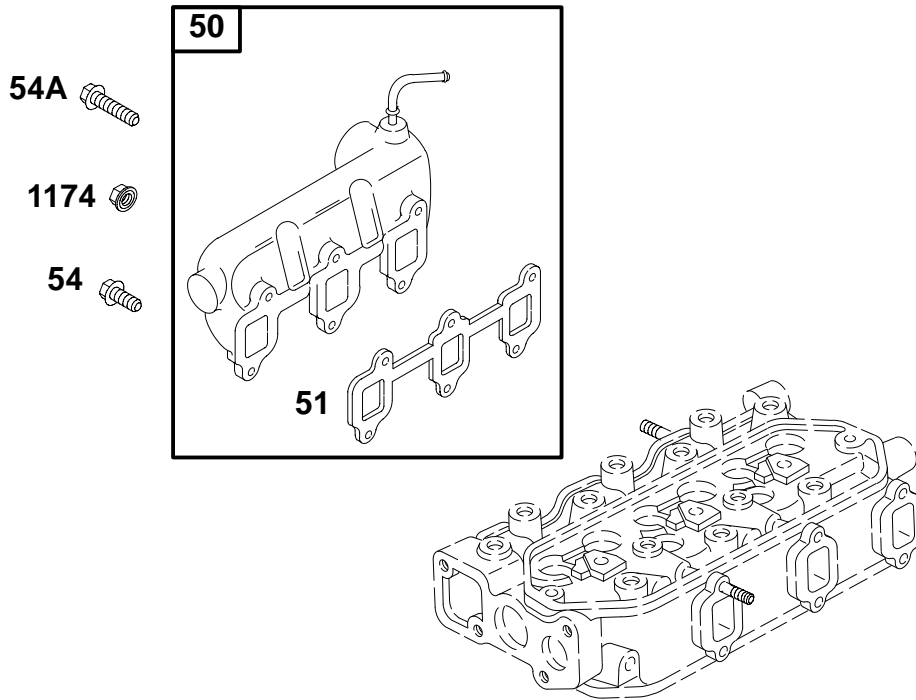
★ Engine Gasket Set – Reference 358  
 △ Valve Gasket Set – Reference 1095



REF. NO.	PART NO.	DESCRIPTION	REF. NO.	PART NO.	DESCRIPTION	REF. NO.	PART NO.	DESCRIPTION
145	825072	Valve-Drain	532	820011	Nut (Mounting Bracket)	1068	825045	Hose/Clamp Assembly
193	820597	Hose-Reserve Tank (660 mm Hose)	533	820034	Screw (Drain Valve)	1068A	825134	Hose/Clamp Assembly
194	825068	Radiator Used on Type No(s). 0219, 0225.	601	820045	Clamp-Hose	1068B	825133	Hose/Clamp Assembly
253	825462	Tank-Reserve	601A	820256	Clamp-Hose	1068C	825296	Hose/Clamp Assembly
318A	820034	Screw (Mounting Bracket)	601B	820201	Clamp-Hose	1068D	825073	Hose/Clamp Assembly
415D	825075	Plug Used on Type No(s). 0219, 0225.	602	820011	Nut (Drain Valve)	1097	820287	Cap-Surge Tank
493C	825106	Bracket-Mounting (Reserve Tank)	734	820258	Cap-Radiator	1237	825427	Cap/Hose-Reserve
493D	825314	Bracket-Mounting (Reserve Tank)						

★ Engine Gasket Set – Reference 358  
 △ Valve Gasket Set – Reference 1095

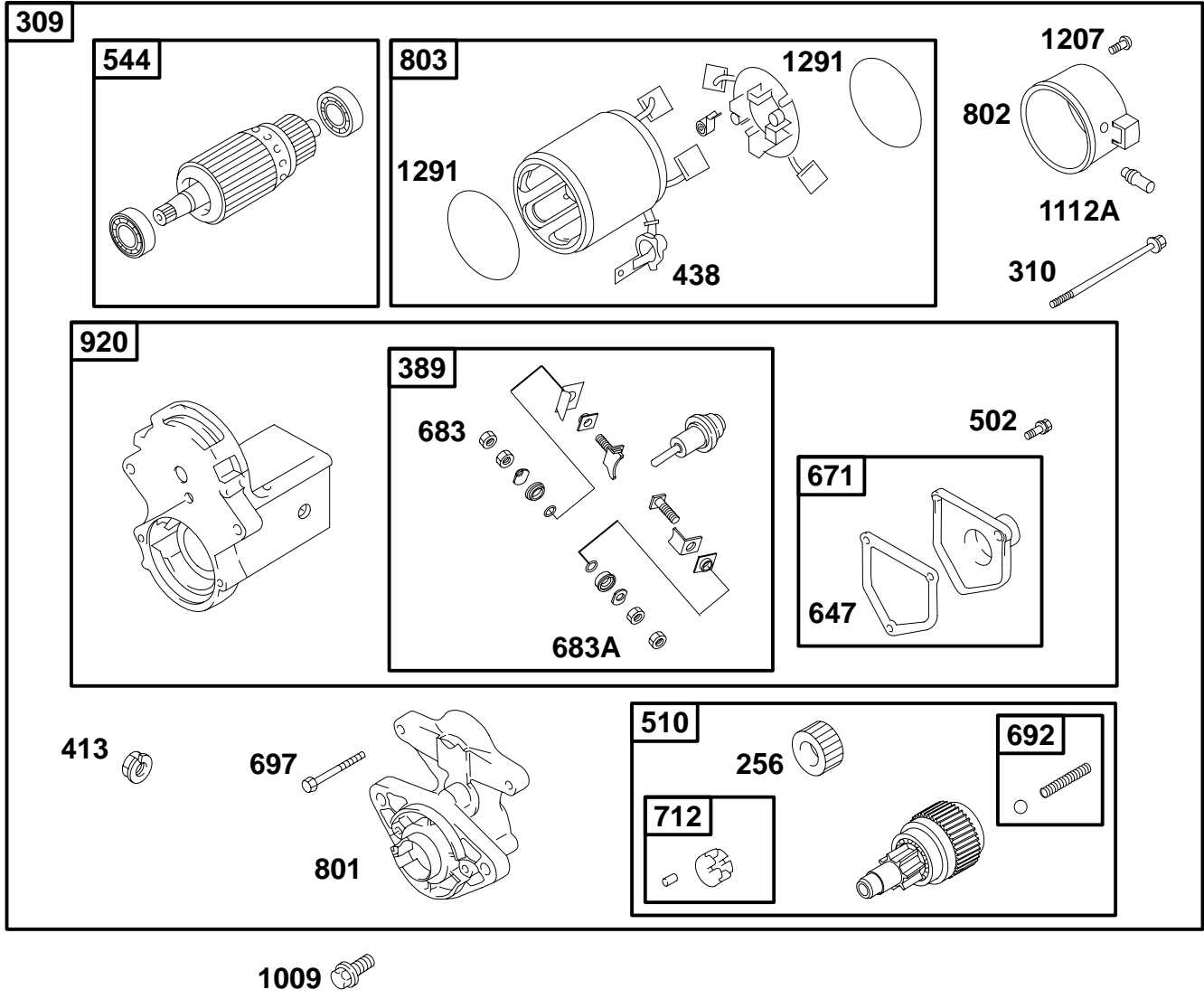
# 582400 to 582499



REF. NO.	PART NO.	DESCRIPTION	REF. NO.	PART NO.	DESCRIPTION	REF. NO.	PART NO.	DESCRIPTION
50	825175	Manifold-Intake	296	820553	Stud (Muffler)	1174	820069	Nut (Intake Manifold)
51	★△820407	Gasket-Intake	436	825055	Manifold-Exhaust	1176	820010	Nut (Exhaust Manifold)
54	820031	Screw (Intake Manifold)	883	★△820817	Gasket-Exhaust (Manifold)			
54A	820408	Screw (Intake Manifold)	883A	★820670	Gasket-Exhaust (Muffler)			

★ Engine Gasket Set – Reference 358  
 △ Valve Gasket Set – Reference 1095

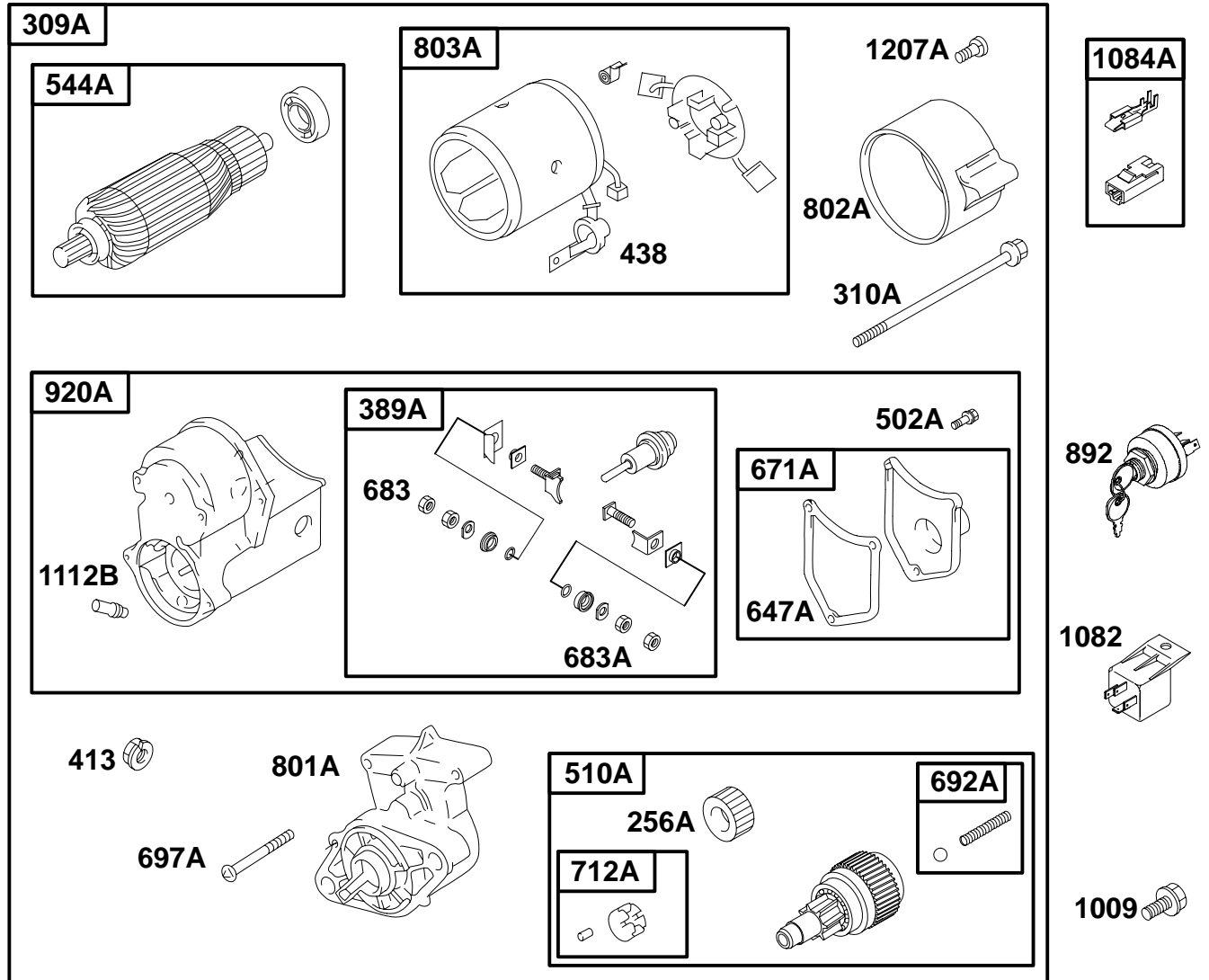
1.2 KW



REF. NO.	PART NO.	DESCRIPTION	REF. NO.	PART NO.	DESCRIPTION	REF. NO.	PART NO.	DESCRIPTION
256	820767	Gear-Starter Drive	647	820719	Gasket-Solenoid Cover	801	825408	Cap-Drive
309	825222	Motor-Starter (1.2 KW)	671	825422	Cover-Solenoid	802	820771	Cap-End
310	820773	Screw (Starter Motor)	683	820723	Nut (Starter Solenoid) (Terminal)	803	825423	Housing-Starter (Includes 2 Brushes)
389	825437	Plunger-Solenoid	683A	820721	Nut (Starter Solenoid) (Terminal)	920	825410	Solenoid-Starter
413	820067	Nut (Starter Motor)	692	825402	Detent-Spring	1009	820019	Screw (Starter Motor)
438	820725	Boot-Terminal	697	820777	Screw (Drive Cap)	1112A	820779	Plug-Vent
502	820763	Screw (Solenoid Cover)	712	825401	Roller-Clutch	1207	820775	Screw (End Cap)
510	825406	Drive-Starter				1291	820769	Seal-O Ring (Starter Housing)
544	825404	Armature-Starter						

★ Engine Gasket Set – Reference 358  
 △ Valve Gasket Set – Reference 1095

# 1.0 KW

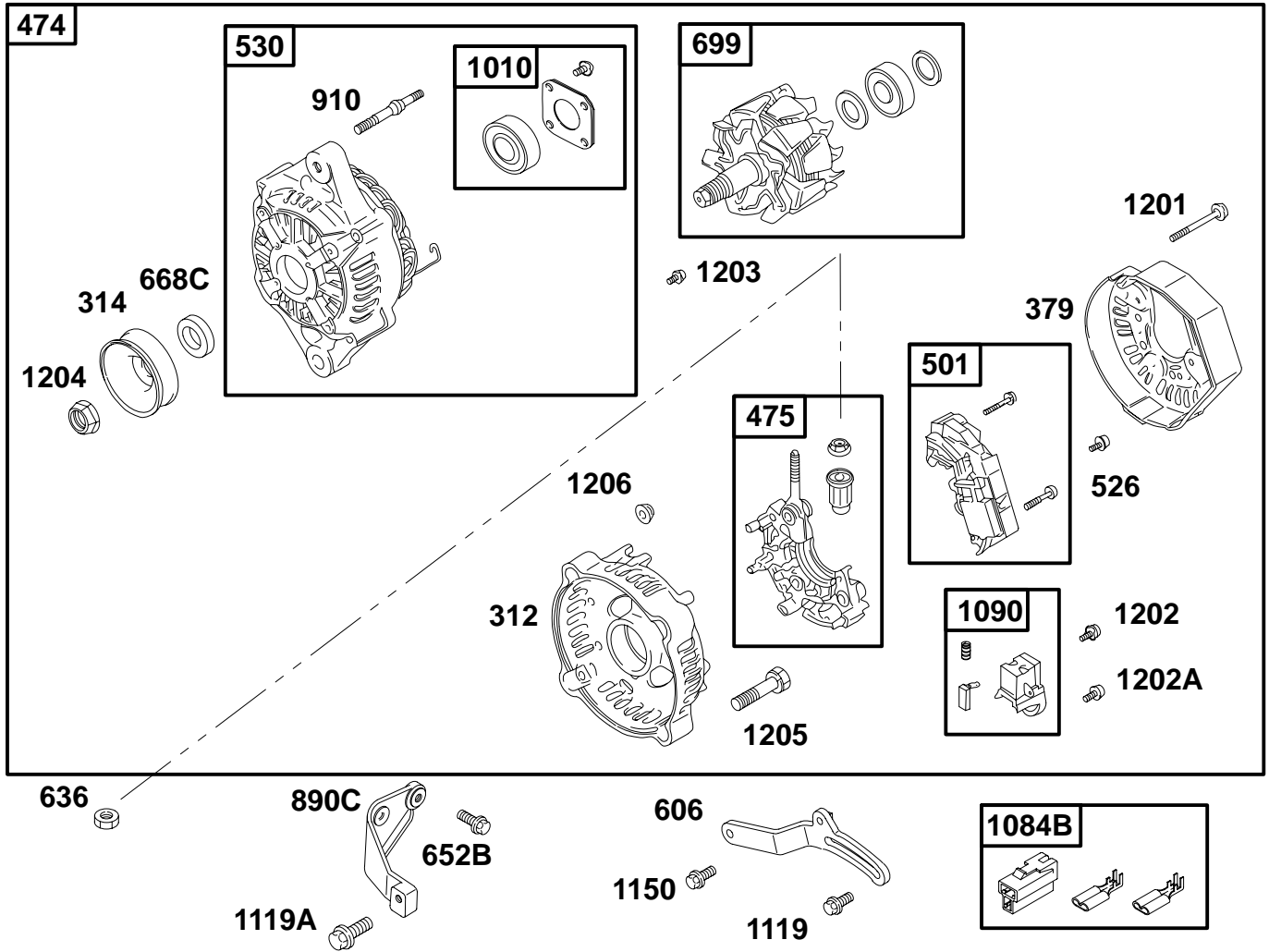


REF. NO.	PART NO.	DESCRIPTION	REF. NO.	PART NO.	DESCRIPTION	REF. NO.	PART NO.	DESCRIPTION
256A	820745	Gear-Starter Drive	647A	820733	Gasket-Solenoid Cover	802A	820743	Cap-End
309A	825083	Motor-Starter (1.0 KW) Used on Type No(s). 0105.	671A	825400	Cover-Solenoid	803A	825399	Housing-Starter (Includes Brushes, Springs and Brush Retainer)
310A	820755	Screw (Starter Motor)	683	820723	Nut (Starter Solenoid) (Terminal)	892	692318	Switch-Key
389A	825436	Plunger-Solenoid	683A	820721	Nut (Starter Solenoid) (Terminal)	920A	825398	Solenoid-Starter
413	820067	Nut (Starter Motor)	692A	825425	Detent-Spring	1009	820019	Screw (Starter Motor)
438	820725	Boot-Terminal	697A	820751	Screw (Drive Cap)	1082	820455	Relay-Starter
502A	820739	Screw (Solenoid Cover)	712A	825424	Roller-Clutch	1084A	825266	Connector-Terminal
510A	825394	Drive-Starter	801A	825396	Cap-Drive	1112B	820737	Plug-Vent
544A	825392	Armature-Starter				1207A	820754	Screw (End Cap)

★ Engine Gasket Set – Reference 358  
 △ Valve Gasket Set – Reference 1095



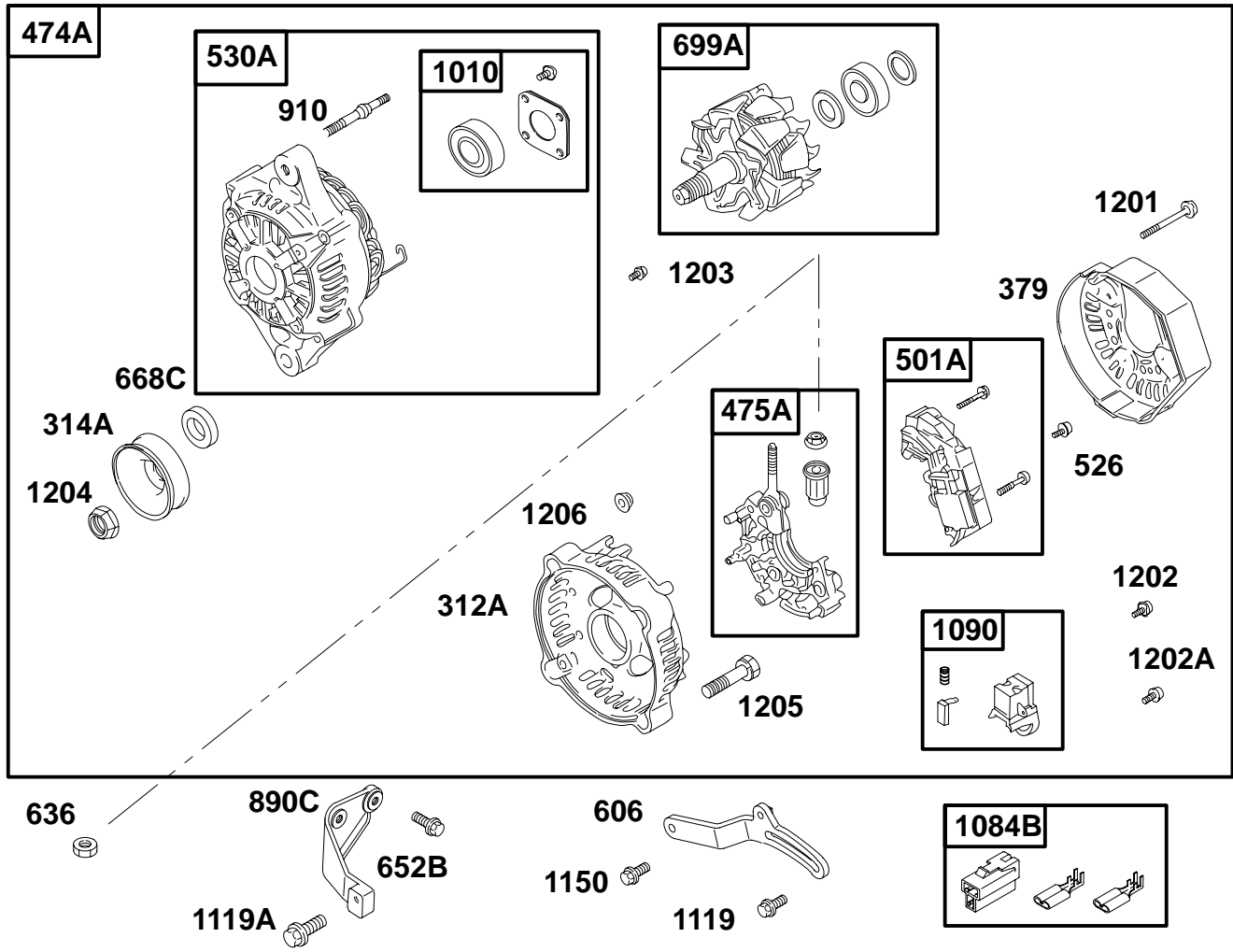
# 40 AMP



REF. NO.	PART NO.	DESCRIPTION	REF. NO.	PART NO.	DESCRIPTION	REF. NO.	PART NO.	DESCRIPTION
312	820692	Housing—Brush End	652B	820275	Screw (Support Bracket)	1201	820715	Screw (Brush Cover)
314	820711	Pulley—Alternator	668C	820713	Spacer	1202	820701	Screw (Brush Retainer)
379	820703	Cover—Brush	699	825390	Rotor Assembly	1202A	820702	Screw (Brush Retainer)
474	825084	Alternator (40 Amp)	890C	820213	Bracket—Support	1203	820702	Screw (Stator Wire)
475	825385	Rectifier	910	820690	Stud (Alternator)	1204	820705	Nut (Alternator Pulley)
501	825388	Regulator	1010	825384	Retainer—Bearing	1205	820707	Screw (Brush End Housing)
526	820702	Screw (Rectifier)	1084B	825157	Connector—Terminal	1206	820709	Nut (Brush End Housing)
530	825383	Housing—Drive End	1090	825387	Retainer—Brush			
606	820819	Strap—Adjusting	1119	820343	Screw (Alternator)			
636	820069	Nut (Starting Switch)	1119A	820270	Screw (Alternator)			
			1150	820023	Screw (Adjusting Strap)			

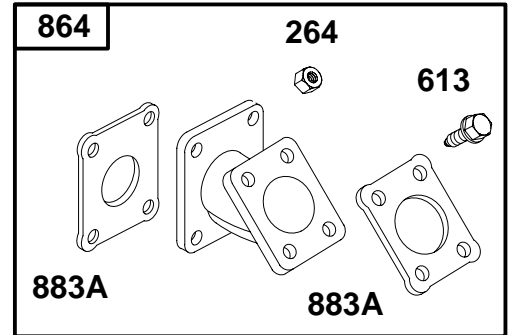
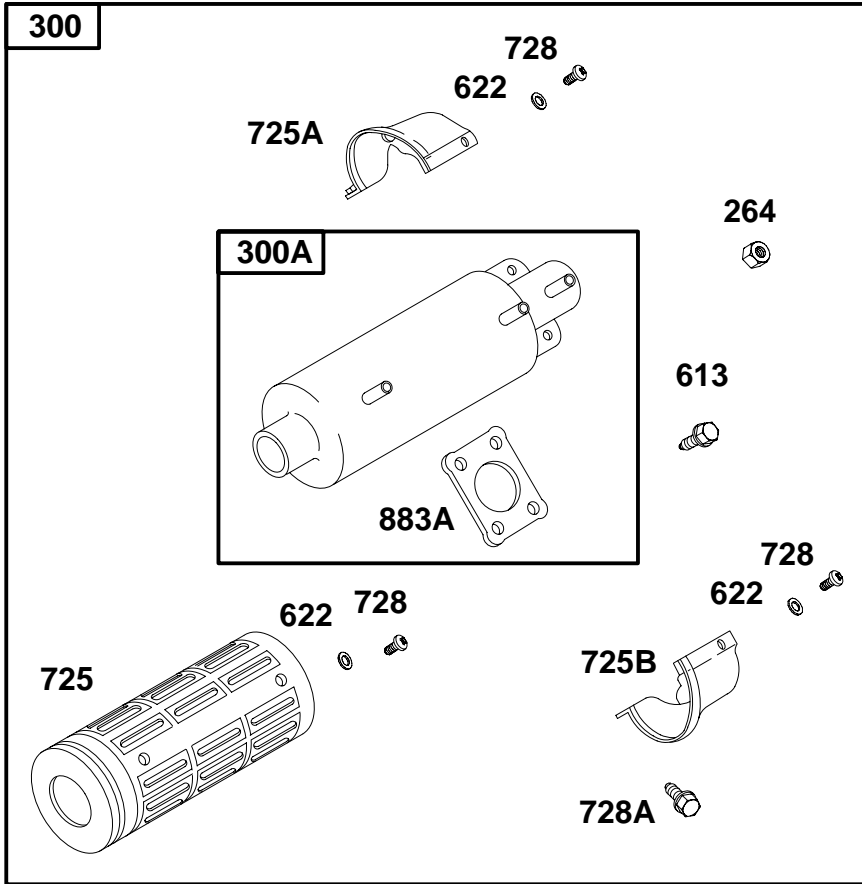
★ Engine Gasket Set – Reference 358  
 △ Valve Gasket Set – Reference 1095

# 60 AMP



REF. NO.	PART NO.	DESCRIPTION	REF. NO.	PART NO.	DESCRIPTION	REF. NO.	PART NO.	DESCRIPTION
312A	820904	Housing-Brush End	668C	820713	Spacer	1201	820715	Screw (Brush Cover)
314A	820900	Pulley-Alternator	699A	825486	Rotor Assembly	1202	820701	Screw (Brush Retainer)
379	820703	Cover-Brush	890C	820213	Bracket-Support	1202A	820702	Screw (Brush Retainer)
474A	825480	Alternator (60 Amp)	910	820690	Stud (Alternator)	1203	820702	Screw (Stator Wire)
475A	825482	Rectifier	1010	825384	Retainer-Bearing	1204	820705	Nut (Alternator Pulley)
501A	825481	Regulator	1084B	825157	Connector-Terminal	1205	820707	Screw (Brush End Housing)
526	820702	Screw (Rectifier)	1090	825387	Retainer-Brush	1206	820709	Nut (Brush End Housing)
530A	825484	Housing-Drive End	1119	820483	Screw (Alternator)			
606	820819	Strap-Adjusting	1119A	820270	Screw (Alternator)			
636	820069	Nut (Starting Switch)	1150	820023	Screw (Adjusting Strap)			
652B	820275	Screw (Support Bracket)						

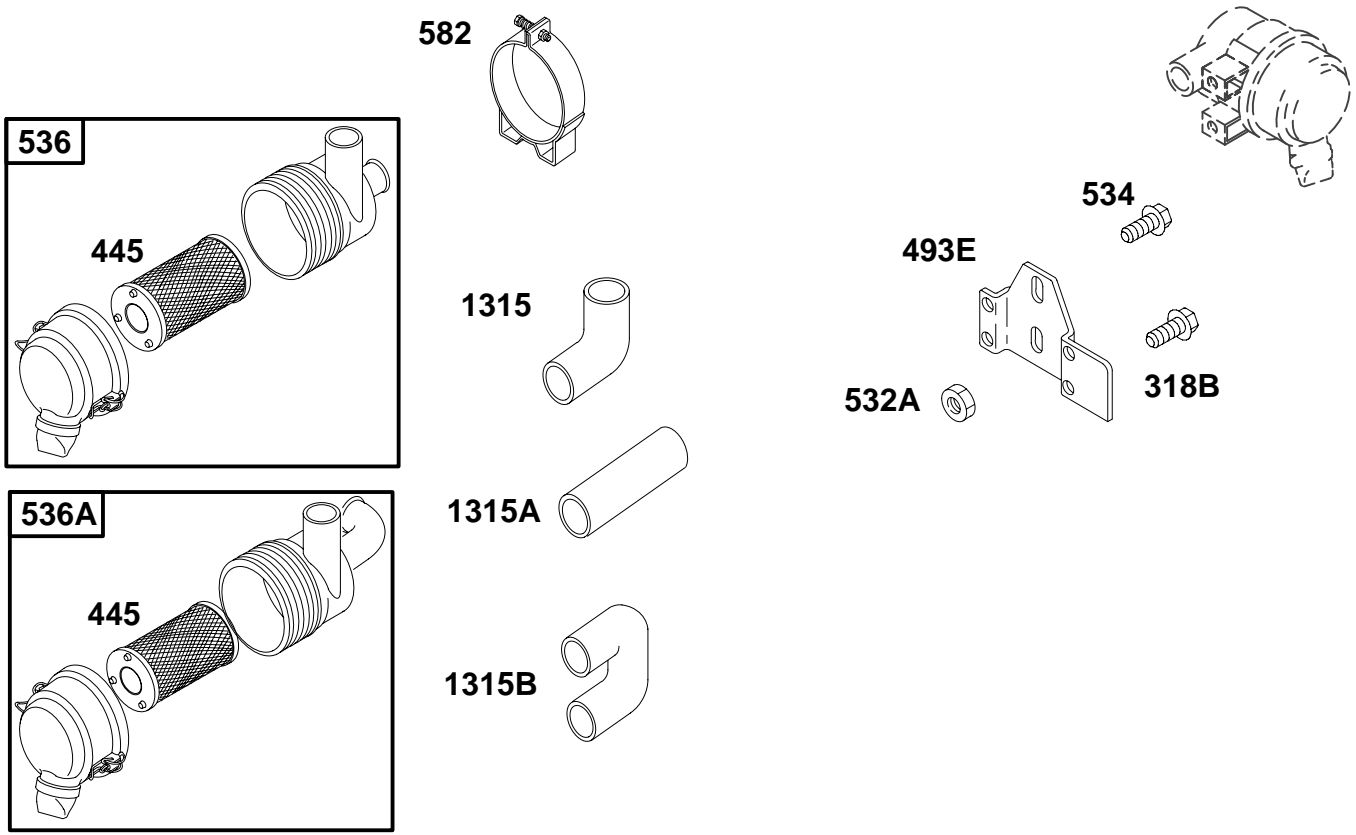
★ Engine Gasket Set – Reference 358  
 △ Valve Gasket Set – Reference 1095



REF. NO.	PART NO.	DESCRIPTION	REF. NO.	PART NO.	DESCRIPTION	REF. NO.	PART NO.	DESCRIPTION
264	820178	Nut (Muffler Adapter)	622	820631	Washer (Heat Shield)	728	821011	Screw (Heat Shield)
300	825200	Muffler	725	820628	Shield-Heat	728A	820431	Screw (Heat Shield)
300A	825301	Muffler	725A	820630	Shield-Heat	864	825358	Adapter-Muffler
613	820023	Screw (Muffler)	725B	820629	Shield-Heat	883A	820670	Gasket-Exhaust (Muffler)

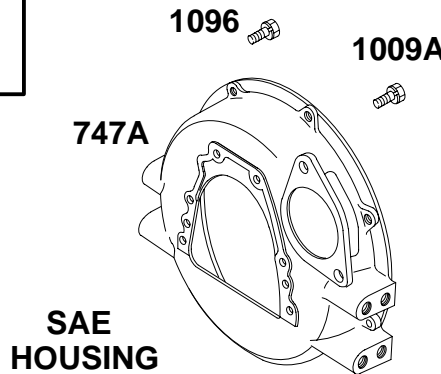
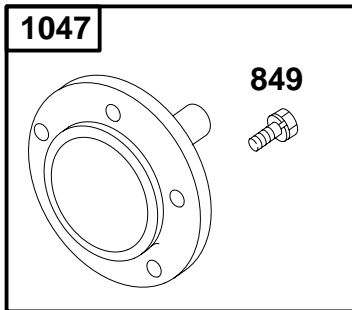
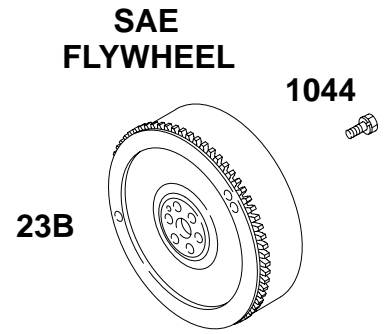
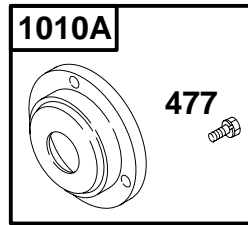
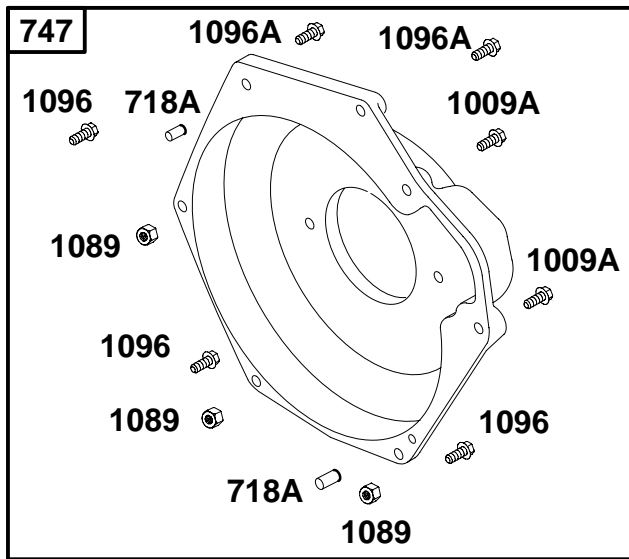
★ Engine Gasket Set – Reference 358  
 △ Valve Gasket Set – Reference 1095

# 582400 to 582499



REF. NO.	PART NO.	DESCRIPTION	REF. NO.	PART NO.	DESCRIPTION	REF. NO.	PART NO.	DESCRIPTION
318B	820212	Screw (Mounting Bracket)	534	820273	Screw (Air Cleaner)	1315	820554	Hose-Air Cleaner
445	820263	Filter-Air Cleaner Cartridge	536	825117	Cleaner-Air (With Vacuum Adapter)	1315A	820555	Hose-Air Cleaner
493E	820195	Bracket-Mounting (Air Cleaner)	536A	825118	Cleaner-Air (90 Degree Elbow With Vacuum Adapter)	1315B	820556	Hose-Air Cleaner
532A	820070	Nut (Mounting Bracket)	582	820230	Clamp-Air Cleaner			

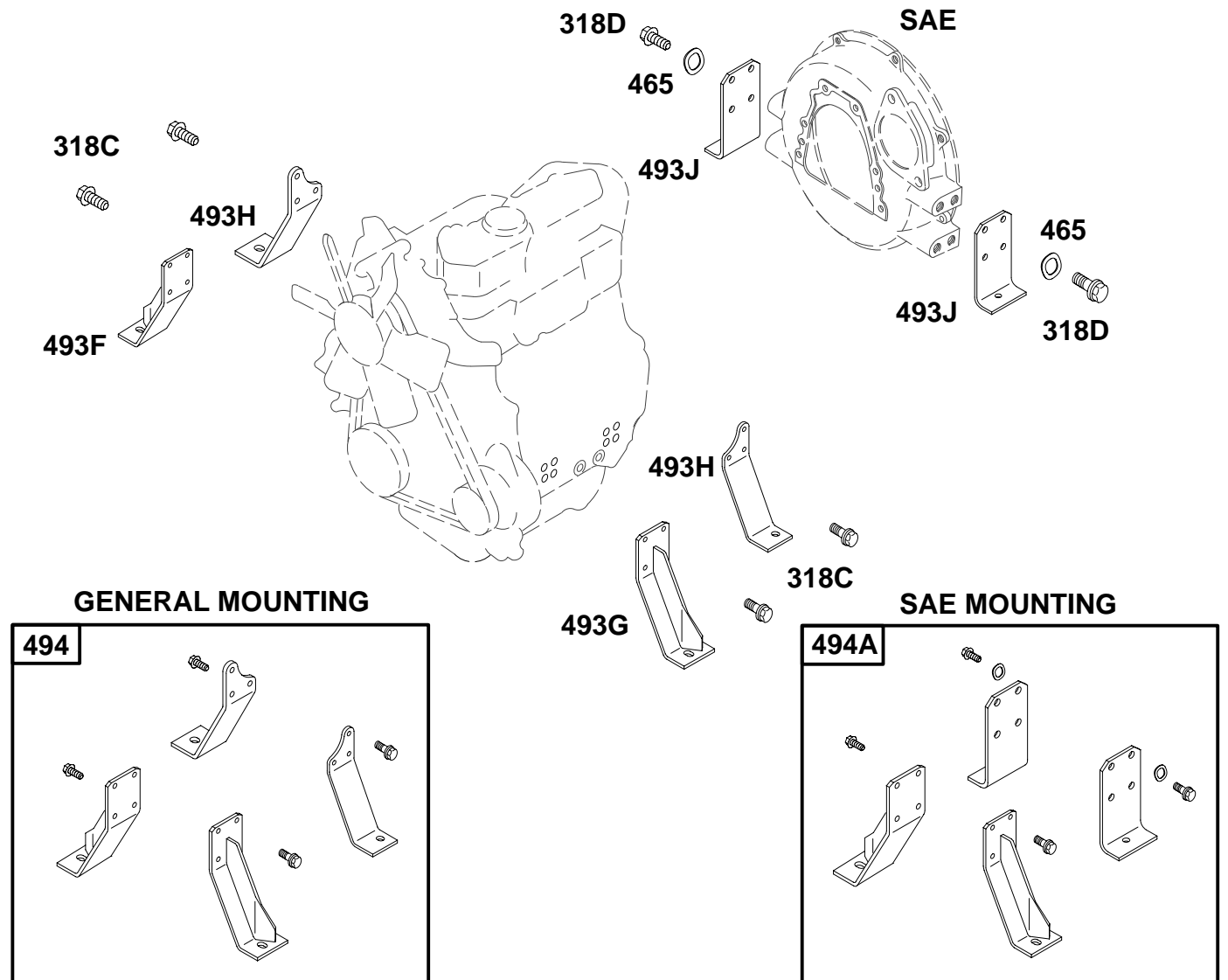
★ Engine Gasket Set – Reference 358  
 △ Valve Gasket Set – Reference 1095



REF. NO.	PART NO.	DESCRIPTION	REF. NO.	PART NO.	DESCRIPTION	REF. NO.	PART NO.	DESCRIPTION
23B	825071	Flywheel	849	820199	Screw (Stub Shaft)	1047	825268	Shaft-Stub (1 1/8" Diameter Shaft) (3 3/4" Length)
477	820199	Screw (Bearing Retainer)	1009A	820451	Screw (Starter Motor) (SAE Housings)			<b>Note</b>
718A	820062	Pin-Locating			<b>820265</b> Screw (Starter Motor) (General Housings)			<b>825078</b> Shaft-Stub (1 7/16" Diameter Shaft)
747	825098	Housing-Flywheel (KTR®) (Small Pilot, 2 Holes)	1010A	825079	Retainer-Bearing			<b>825123</b> Shaft-Stub (1" Diameter Shaft)
		<b>Note</b>	1044	820080	Screw (Flywheel)			<b>825269</b> Shaft-Stub (1 1/8" Diameter Shaft) (4 1/5" Length)
		<b>825113</b> Housing-Flywheel (KTR®)				1089	820070	Nut (Flywheel Housing)
747A	820248	Housing-Flywheel (SAE)				1096	820241	Screw (Flywheel Housing)
						1096A	820450	Screw (Flywheel Housing)

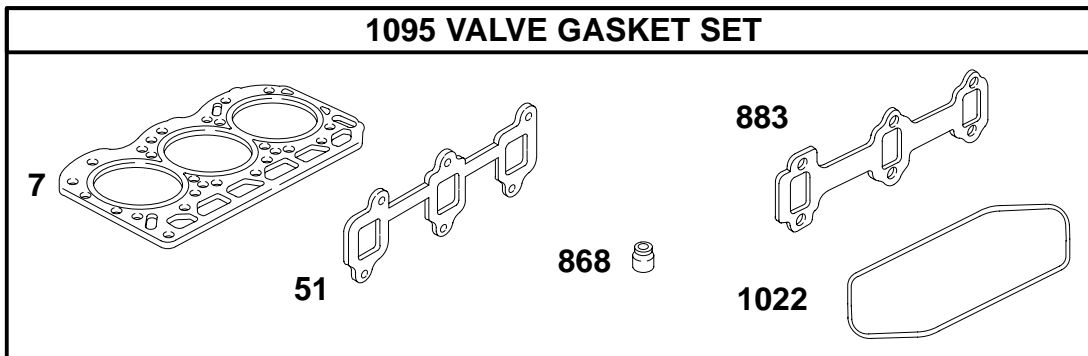
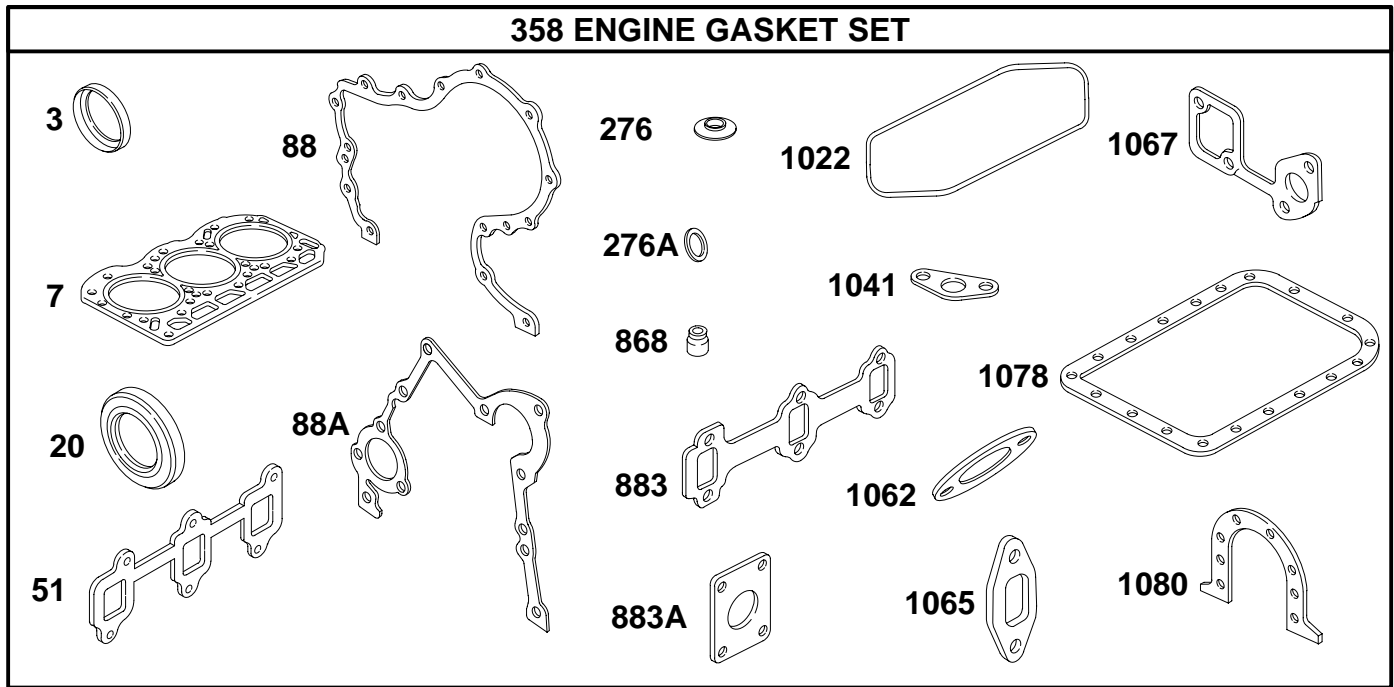
★ Engine Gasket Set – Reference 358  
 △ Valve Gasket Set – Reference 1095

# 582400 to 582499



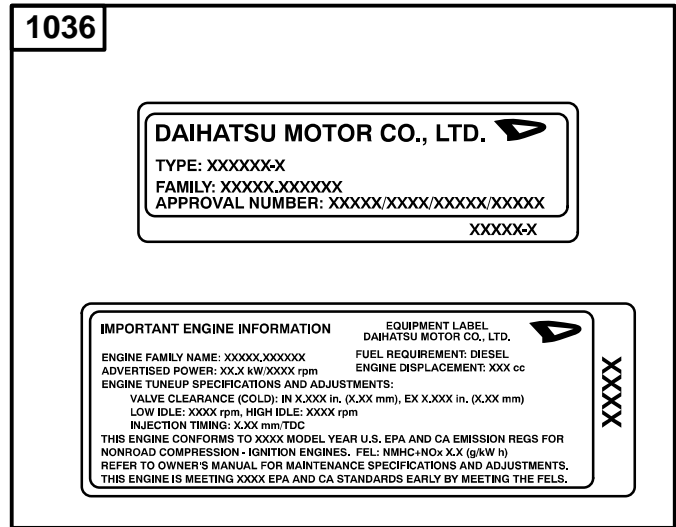
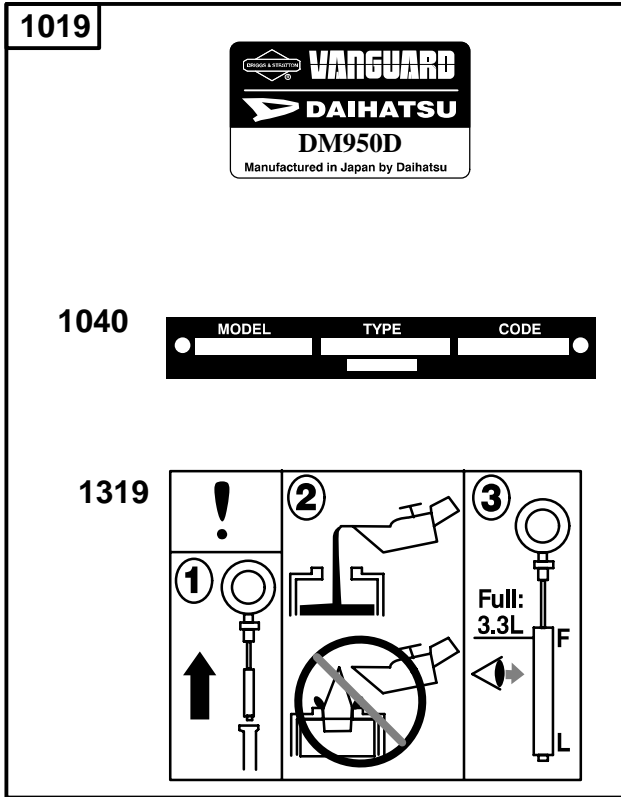
REF. NO.	PART NO.	DESCRIPTION	REF. NO.	PART NO.	DESCRIPTION	REF. NO.	PART NO.	DESCRIPTION
318C	820024	Screw (Mounting Bracket) (Used With Engine Mounts Only)	465	820449	Washer (Mounting Bracket)	494	825214	Mount-Engine (General Mounting)
		<b>Note</b>	493F	820835	Bracket-Mounting (Right Front) (General and SAE)	494A	825215	Mount-Engine (SAE Mounting)
		820023 Screw (Mounting Bracket) (Use Only When Front Engine Mounts And Radiator Brackets Are Installed)	493G	820832	Bracket-Mounting (Left Front) (General and SAE)			
318D	820306	Screw (Mounting Bracket)	493H	820833	Bracket-Mounting (Rear General)			
			493J	820834	Bracket-Mounting (Rear SAE)			

★ Engine Gasket Set – Reference 358  
 △ Valve Gasket Set – Reference 1095



REF. NO.	PART NO.	DESCRIPTION	REF. NO.	PART NO.	DESCRIPTION	REF. NO.	PART NO.	DESCRIPTION
3	★820056	Seal-Oil (PTO Side)	276	★Δ820064	Washer-Sealing (Rocker Cover)	883	★820817	Gasket-Exhaust
7	★Δ820660	Gasket-Cylinder Head (Used After Code Date 98123100).	276A	★820582	Washer-Sealing (Oil Drain Plug) (16mm)	883A	★820670	Gasket-Exhaust
		<b>Note</b>			<b>Note</b>	1022	★Δ820150	Gasket-Rocker Cover
		820351 Gasket-Cylinder Head (Used Before Code Date 99010100).			★820049 Washer-Sealing (Oil Drain Plug) (12 mm)	1041	★820104	Gasket-Oil Pump Screen
20	★820055	Seal-Oil (Magneto Side)	358	825380	Gasket Set-Engine (Used After Code Date 98123100).	1062	★820093	Gasket-Outlet Housing
51	★Δ820407	Gasket-Intake			<b>Note</b>	1065	★820098	Gasket-Inlet Housing
88	★820377	Gasket-Gear Reduction Cover			825212 Gasket Set-Engine (Used Before Code Date 99010100).	1067	★Δ820100	Gasket-Water Pump
88A	★820155	Gasket-Gear Reduction Cover	868	★Δ820405	Seal-Valve	1078	★820137	Gasket-Oil Pan
						1080	★820145	Gasket-Retainer
						1095	825381	Gasket Set-Valve (Used After Code Date 98123100).
								<b>Note</b>
								825213 Gasket Set-Valve (Used Before Code Date 99010100).

★ Engine Gasket Set – Reference 358  
 Δ Valve Gasket Set – Reference 1095



1058 OPERATOR'S MANUAL

1330 REPAIR MANUAL

REF. NO.	PART NO.	DESCRIPTION	REF. NO.	PART NO.	DESCRIPTION	REF. NO.	PART NO.	DESCRIPTION
1019	825228	Kit-Label (Identification Labels)	1036	825648	Label-Emissions (Used After Code Date 02123100). ———— <b>Note</b> ———— <b>825647</b> Label-Emissions (Used After Code Date 99123100 and Before Code Date 03010100). <b>825227</b> Label-Emissions (Used Before Code Date 00010100).	1040	820290	Plate-Trim
						1058	820853	Operator's Manual
						1319	820891	Label-Warning
						1330	MS1055	Repair Manual

★ Engine Gasket Set – Reference 358  
 △ Valve Gasket Set – Reference 1095