

# **POWER**

## **Series**

# **25C100**

# **OPERATORS/PARTS MANUAL**



# Safety Specifications

- Regard the Power-Thatch, Power-Slicer and Power-Comb as potentially dangerous lawn and turf power equipment.
- Know and understand the unit prior to starting engine.
- Do not allow children or young teenagers to operate unit and instruct children to keep away from the area of operation at all times.
- Do not operate unit when barefoot or without

**Caution: Read and understand the following prior to operating.**

proper footwear. Also do not operate in wet grass as it will result in poor footing.

- Do not operate unit after dark unless there is sufficient artificial lighting. Do not fill unit with gasoline indoors, while smoking or while engine is hot or running. Avoid spilling gasoline on unit, to prevent fires. Prior to starting, clear entire area of debris that could be propelled by the rake or slicing shaft during operation.

---

# Assembly Instructions

## FIRST

Remove unit from shipping carton.

## SECOND

Unfold upper handle and secure by tightening the two four-prong knobs.

## THIRD

Grease main shaft bearings with a good grade of gun grease --fittings provided.

## FOURTH

Service engine as per engine manual.

**CAUTION: Engine must be properly lubed before starting.**

## FINAL ADJUSTMENTS

### FIRST

Before operating, make sure the belt is between the (two) belt guides. These belt guides are located behind the belt guard. In the engaged position, adjust the guides to allow 1/8" clearance between guide and belt.

### SECOND

Adjust engagement lever tension for best hand comfort by moving the lower cable mounting via the slot. (Move mounting forward for less tension and backward for more tension.) NOTE: Proper belt tension (1/4" deflection with 10 lbs. of force) is necessary to turn power the shaft while working.

### THIRD

Before starting, height adjustment should be in the highest position. This also applies when crossing sidewalks and curbing.

---

# Operating Instructions

- Do not use Power-Thatch, Power-Slice or Power-Comb in tall grass - mow first.
- To avoid damage to turf do not use Power-Thatch, Power Slice or Power Comb on water soaked lawns.

- To avoid damage to turf, do not allow the raking/slicing shaft to rotate continuously while forward motion is stopped.

# Adjusting for Raking/Slicing Height

## ■ Power-Thatch

When using the Power-Thatch, adjust height of fingers in the following manner:

Normal height is set by placing the rake unit on a hard surface making sure that one set of fingers is at the lowest point in the rotation. Adjust the wheels so the fingers on the bottom of the shaft just touch the ground. **Do not** set the fingers so they will penetrate the ground, this will counteract the centrifugal force of the fingers preventing them from raking properly.

## ■ Power-Slice

The Power-Slice is primarily designed for verti-cutting and over-seeding. To adjust blade height it is best to start with the blades in the highest setting (lever all the way back) and move the blades down (lever moving forward) one hole at a time until the desired slicing action is obtained.

***WARNING: Do not make height adjustment while blades are turning!***

***NOTE: Do not engage slicing shaft on hard surfaces. Damage to unit may occur!***

To achieve a like new working edge, remove the power shaft via the bearing end plates and turn assembly 180° and reinstall centered in the housing. Move the 7" drive pulley back to the drive side of the unit (mounted flush with the end of the shaft).

**NOTE:** Locktite #RC680 (or equal) to be used to secure 7" pulley on rake shaft.

To prolong the life of the raking shaft, extra holes are provided in the spiders so satellite shafts can be assembled into new holes. Make sure all satellite shafts are moved to eliminate an unbalanced condition.

---

## Maintenance & Storage

■ Please follow these recommended maintenance steps from the factory.

■ Do not make adjustments, or perform any maintenance until engine is stopped and spark plug wire is disconnected.

■ Frequently check engine mounting bolts on your unit for proper tightness.

■ Keep engine free from accumulation of grass, leaves or excessive grease. An accumulation of these combustible materials may result in a fire.

■ Gasoline powered equipment or fuel containers should not be stored in basement or any closed area where heating appliances or open pilot lights are present.

■ Maximum raking/slicing results and safety can only be expected if the unit is maintained and operated correctly.

**Failure to follow all cautious operating practices can result in serious operator injury.**

# Warranty Policy

This warranty extends to the original retail purchaser only and commences on the date of original retail purchase.

Any part of the Encore commercial Power-Thatch, Power-Slice or Power-Comb manufactured by Encore Mfg. Co., Inc. and found in the reasonable judgment of Encore Mfg. Co., Inc. to be defective in material or workmanship, will be repaired or replaced by an authorized Encore Mfg. Co., Inc. dealer without charge for parts and labor.

The Encore Power-Thatch, Power-Slice or Power Comb including any defective part, must be returned to an authorized Encore service dealer within the warranty period. The expense of delivering the unit to the dealer for warranty work and the expense of returning it back to the owner after repair or replacement will be paid for by the owner. Encore Mfg. Co., Inc.'s responsibility in respect to claim is limited to making the required repairs or replacements, and no claim of breach of warranty shall be cause for cancellation or rescision of the contract of sale for any Encore product. Proof of purchase will be required by the dealer to substantiate any warranty claim. All warranty work must be performed by an authorized Encore service dealer.

This warranty is limited to two years from the date of original retail purchase for any Encore Power-Thatch, Power-Slice or Power-Comb that is used for commercial purposes or 90 days for rental.

This warranty does not cover any Encore Power-Thatch, Power-Slice or Power Comb that has been subject to misuse, neglect, negligence, accident or that has been operated in any way contrary to the operating instructions as specified in the operator's manual. The warranty does not apply to any damage to the Power-Thatch, Power-Slice or Power-Comb that has been altered or modified so as to adversely affect the intended use of the product, its operation, performance or durability. In addition, the warranty does not cover the engine, which is warranted separately by the engine manufacturer and for a different period of time.

## Raking Shaft

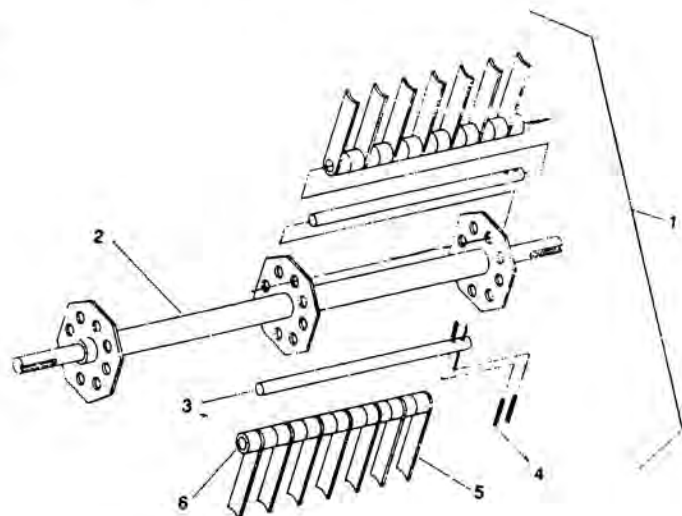
#	PART#	QTY	NAME
1	251001	1	Raking Shaft Complete
2	252003	1	Raking Shaft-Weldment
3	253018	4	Satellite Shaft
4	106300	8	1/8x7/8 Rollpin
5	253027	28	Finger
6	253054	52	Poly Spacer

## Limited Warranty - Power Thatch, Power-Slice and Power-Comb

Encore Mfg. Co., Inc. reserves the right to change or improve the design of any Power-Thatch, Power-Slice or Power-Comb without assuming any obligation to modify any Power-Thatch, Power-Slice or Power Comb previously manufactured. Encore Mfg. Co., Inc.'s obligation under the warranty is strictly and exclusively limited to the repair or replacement of defective parts. Encore Mfg. Co., Inc. does not assume or authorize anyone to assume for them any other obligation. Some states do not allow limitation on how long an implied warranty lasts, so the above limitation may not apply to you.

Encore Mfg. Co., Inc. assumes no responsibility for incidental, consequential or other damages including, but not limited to, expense of delivering the Power-Thatch, Power-Slice or Power-Comb to an authorized service dealer and expense of returning it back to the owner, mechanic's travel time, telephone or telegram charges, rental of a like product during the time warranty repairs are being performed, travel, loss or damage to personal property, loss of revenue, loss of use of the Power-Thatch, Power-Slice or Power-Comb, loss of time or inconvenience. Some states do not allow exclusion or limitation so this may not apply to you.

This warranty gives you specific legal rights, and you may also have other rights which vary from state to state.



## Slicer Shaft

#	PART #	QTY.	NAME
1	253081	12	Spacer-Long
2	253079	13	Blade
3	253080	2	Jam Nut w/Set Screw
4	253078	1	Shaft
5	253082	2	Spacer-Short
6	253083	6	Spacer Washer
	103293	2	5/16 - 18 x 3/8 Set Screw
	251005	1	Slicer Shaft Complete

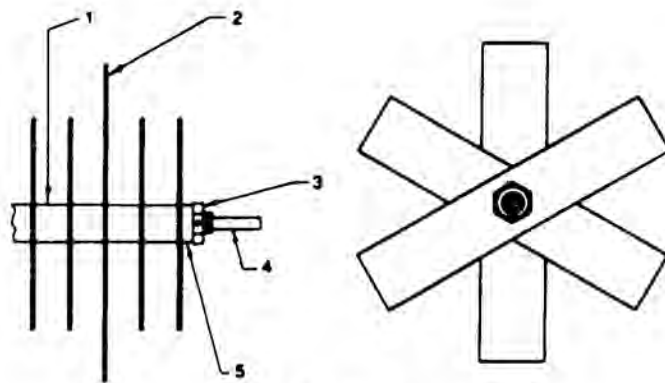


Fig. 1  
1 1/2" Blade Spacing (13 Blades)

■ To set slicer shaft to 3" blade spacing, the six spacer washers must be used in place of each blade removed (as shown in Fig. 2).

■ The slicer blades are secured to the shaft by tightening the jam nut at either end making sure to align the set screw with one of the two flat areas on the threaded parts of the shaft.

■ Nut type locking fluid should be used on the set screw.

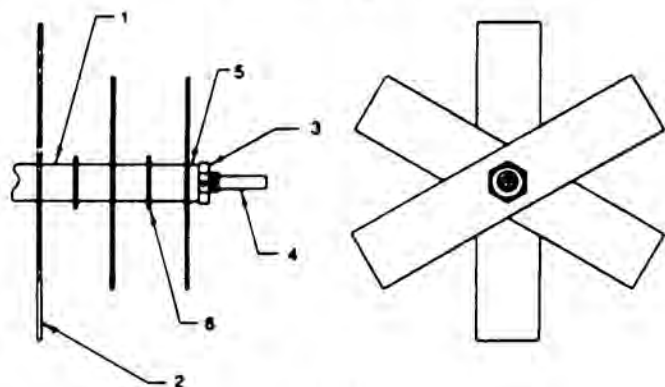


Fig. 2  
3" Blade Spacing (7 Blades)

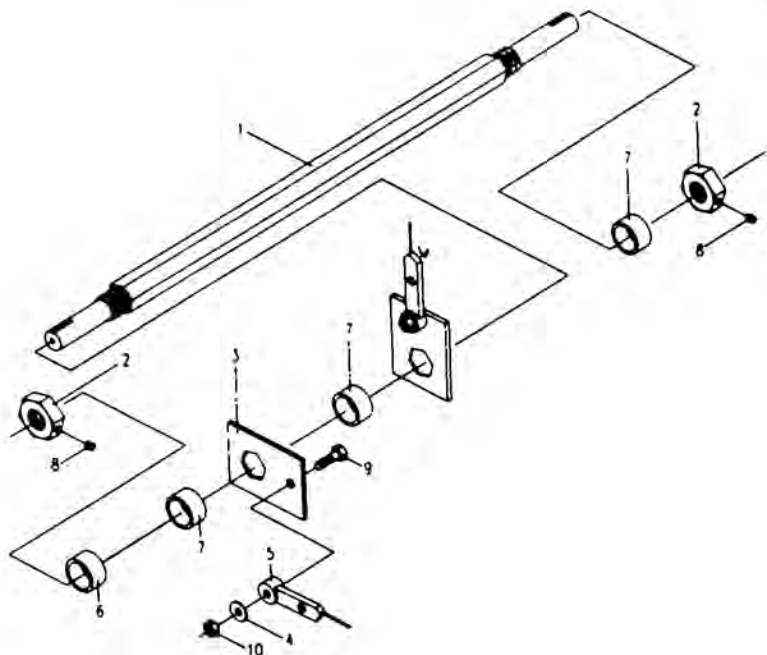
## COMB SHAFT

#	PART #	QTY.	NAME
1	253078	1	Shaft
2	253080	2	Jam Nut w/Set Screw
3	253086	24	Spring Bracket
4	105256	24	1/4 Std. Flat Washer
5	253091	24	Rubber Tire
6	253082	1	Spacer - Short
7	253087	25	Spacer - 625
8	103293	2	Set Screw - 5/16-18 x 3/8
9	100005	24	1/4 - 20 x 1 1/4 HHTB
10	104255	24	1/4 - 20 Nyloc Nut
11	251008	1	Power Comb Shaft Complete

-The Power-Comb Shaft is not designed to operate at high engine RPM's, thus it is best to set the engine speed at half throttle.

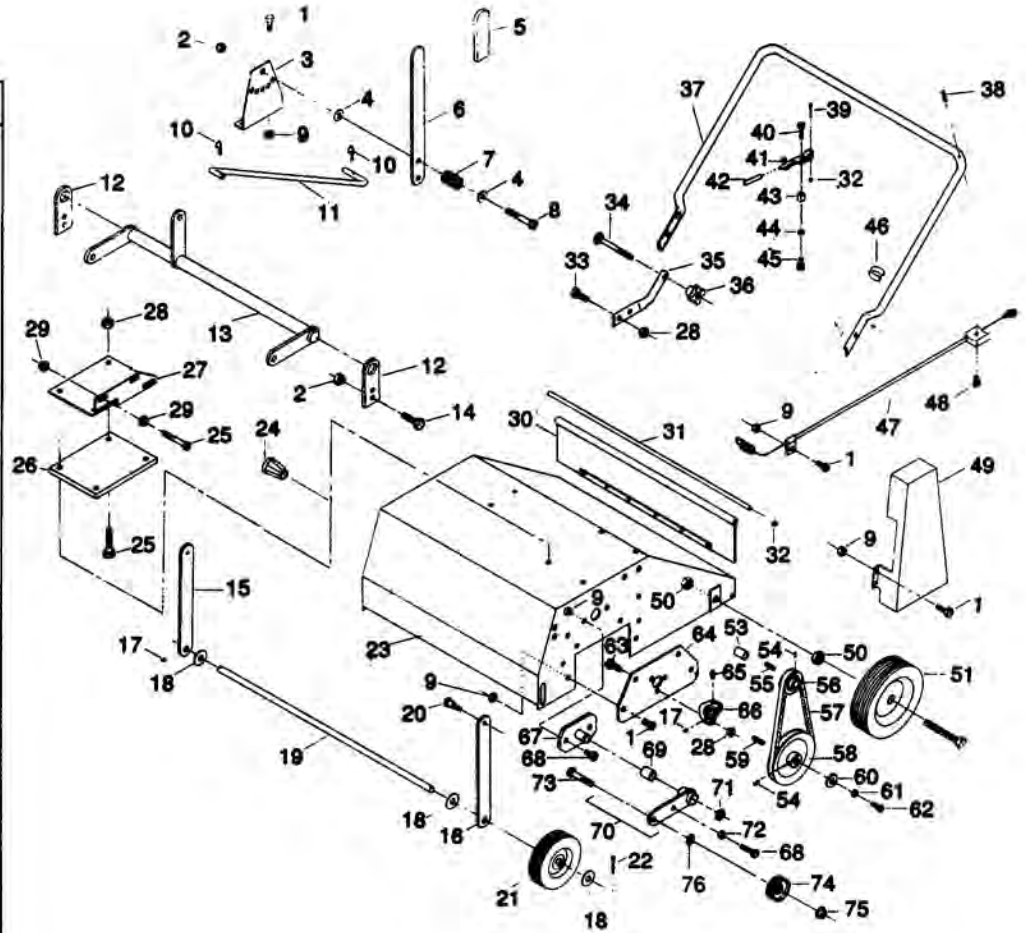
**IMPORTANT!!** Failure to throttle back the engine, as recommended, may result in premature fatigue of the spring tines.

- Note: If it is necessary to remove one of the jam nuts on either end of the shaft, nut type locking fluid should be applied to the set screw upon replacement.



# Main Deck

#	PART#	QTY	NAME
1	100251	15	1/4"-20x5/8" H.H.C.S.
2	104257	5	3/8-16 Nyloc Nut
3	253005	1	Adj. Plate
4	105260	1	3/8" Flat Washer
5	363022	1	Grip
6	253003	1	Adj. Lever
7	363024	1	Spring
8	100296	1	3/8-16x2 H.H.C.S.
9	104255	17	1/4-20 Nyloc Nut
10	363165	2	#2 Hairpin Cotter
11	253007	1	Adj. Rod
12	253042	2	Crank Supports
13	252004	1	Crank Assy.
14	100929	4	3/8-16x1 H.H.C.S.
15	253009	1	Axle Brace - RH
16	253012	1	Axle Brace - LH
17	103282	1	#10-32x1/4 Setscrew
18	105264	4	1/2" Std. Flat Washer
19	253048	1	Axle
20	253052	2	Shoulder Bolt
21	253021	2	8" Wheel
22	106763	2	1/8x1 1/4 Cotter Pin
23	252013	1	Housing Assy.
24	253033	1	Shaft Guard
25	100277	6	5/16"-18x2" H.H.C.S.
26	253036	1	Engine Spacer
27	253067	1	Belt Guide
28	104256	14	5/16-18 Nyloc Nut
29	109001	4	5/16-18 Whiz Loc Nut
30	252008	1	Debris Shield
31	253001	1	Debris Shield Rod
32	363219	3	3/16 Palnut
33	100273	4	5/16-18x1 H.H.C.S.
34	107500	2	3/8-16x2 1/2 Carriage Bolt
35	253022	2	Lower Handle
36	253030	2	Knob
37	253050	1	Upper Handle
38	106340	1	5/16x1 Rollpin
39	363073	1	Lever Pin
40	100254	1	1/4-20x1 H.H.C.S.
41	362059	1	Drive Level w/Grip
42	363067	1	Grip
43	253072	1	Ancor Mount
44	253075	1	Spacer
45	109004	1	5/16"x1/2" Knurled Shoulder Bolt
46	363221	2	Cable Clip
47	253074	1	Drive Cable
48	102000	1	#12-24x5/8 Thd. Cutting Screw
49	252015	1	Belt Shield
50	104756	4	5/18-18 Jam Nut
51	253017	2	Rear Wheel (10")
52	100553	2	5/18"-18x4" H.H.C.S.



#	PART#	QTY	NAME	#	PART#	QTY	NAME
53	253063	1	Sheave Spacer	66	253028	2	Bearing
54	103293	2	5/16"-18x3/8" Setscrew	67	362033	1	Crank Mount
55	107264	1	3/16" Sq.x1 1/4 Key	68	100252	3	1/4"-20x3/4 H.H.C.S.
56	253058	1	Upper Drive Sheave	69	253059	1	Bushing
57	253062	1	Drive Belt	70	252017	1	Engagement Arm w/Bushing
58	253039	1	Lower Drive Sheave	71	108500	1	5/8" E-Ring
59	107255	1	3/16" Sq.x1" Key	72	103011	1	1/4"-20 Torque Nut
60	253025	1	Washer	73	100296	1	3/8"-16x2 H.H.C.S.
61	105004	1	1/4" Lock Washer	74	363169	1	Small Idler
62	100504	1	1/4"-28x5/8 H.H.C.S.	75	109007	1	3/8-16 Whiz Loc Nut
63	100274	6	5/16"-18x1 1/4 H.H.C.S.	76	363097	1	Spacer
64	253065	2	Bearing Plate				
65	111004	2	1/4"-28 Zerk				

**Notes:**

