

44H700

Illustrated Parts List

Model Series

44H700

TYPE NUMBERS
0100 through 0122.

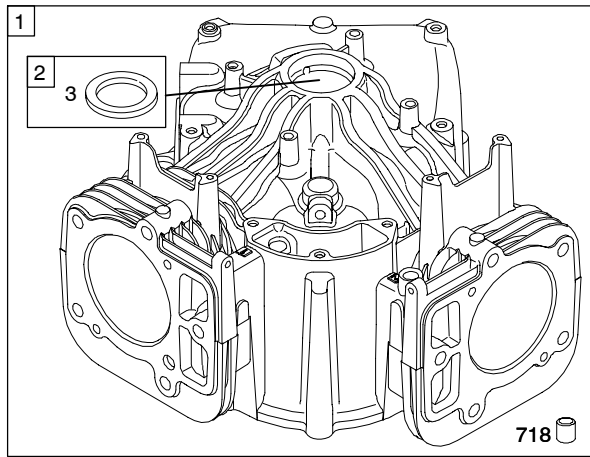
TABLE OF CONTENTS

Air Cleaner	6
Alternators	8
Blower Housing/Shrouds	6
Camshaft	3
Carburetor	5
Controls	7
Crankcase Sump	2
Crankshaft	3
Cylinder	2
Cylinder Head	4
Electric Starter	7
Exhaust System	5
Flywheel	7
Ignition	8
Kit/Gasket Set - Carburetor	5
Kit/Gasket Set - Engine	2
Kit/Gasket Set - Valve	4
Lubrication	3
Piston, Rings, Connecting Rod	3
Valves	4

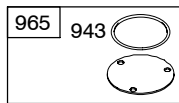
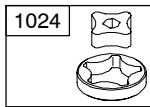
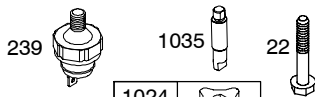
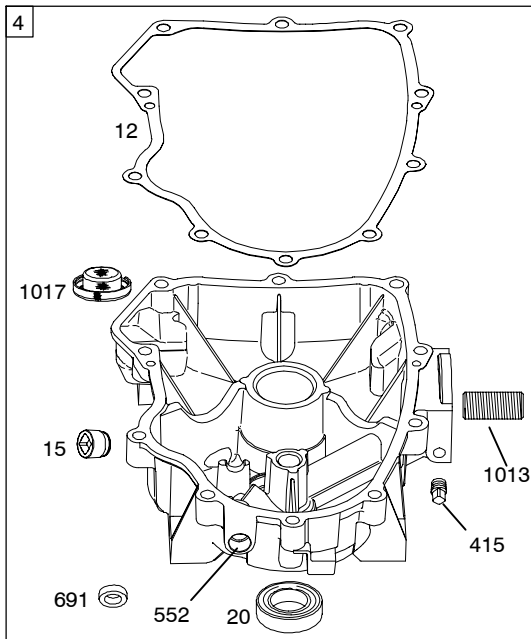
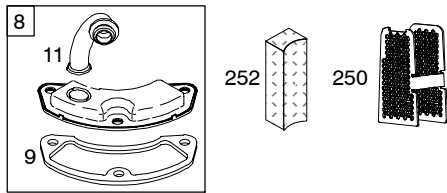


PRINTED IN U.S.A.

COPYRIGHT by BRIGGS & STRATTON CORPORATION
All rights reserved. No part of this material may be reproduced or transmitted, in any form or by any means, electronic or mechanical, including photocopying, recording or by any information storage and retrieval system, without permission in writing from Briggs & Stratton Corporation.



10

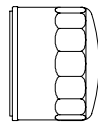
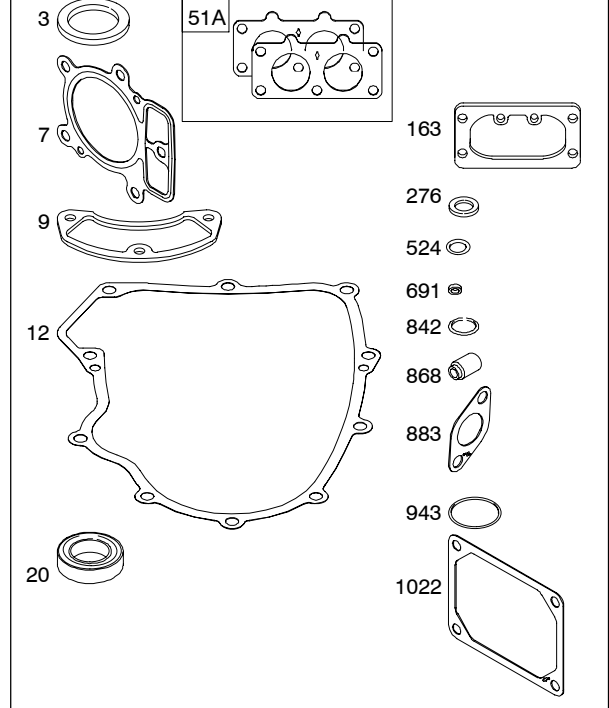


750

1058 OPERATOR'S MANUAL

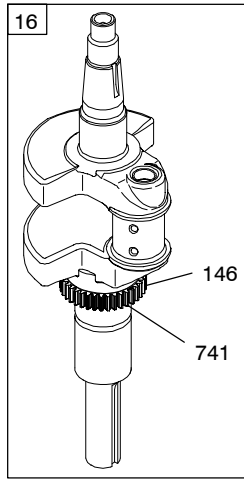
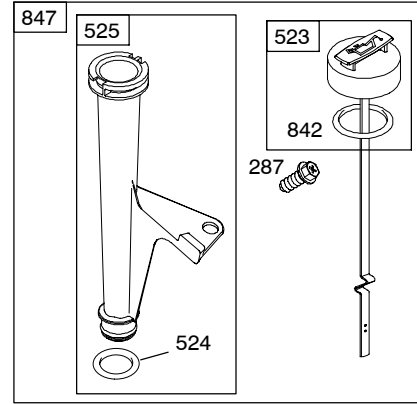
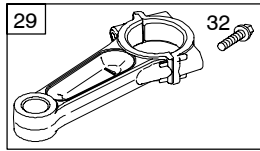
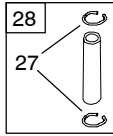
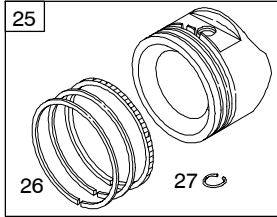
1330 REPAIR MANUAL

358A ENGINE GASKET SET

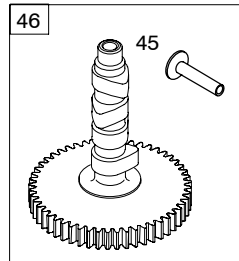


1027

Illustrations cover a range of engines. Parts shown without corresponding text may not be used on your specific engine.

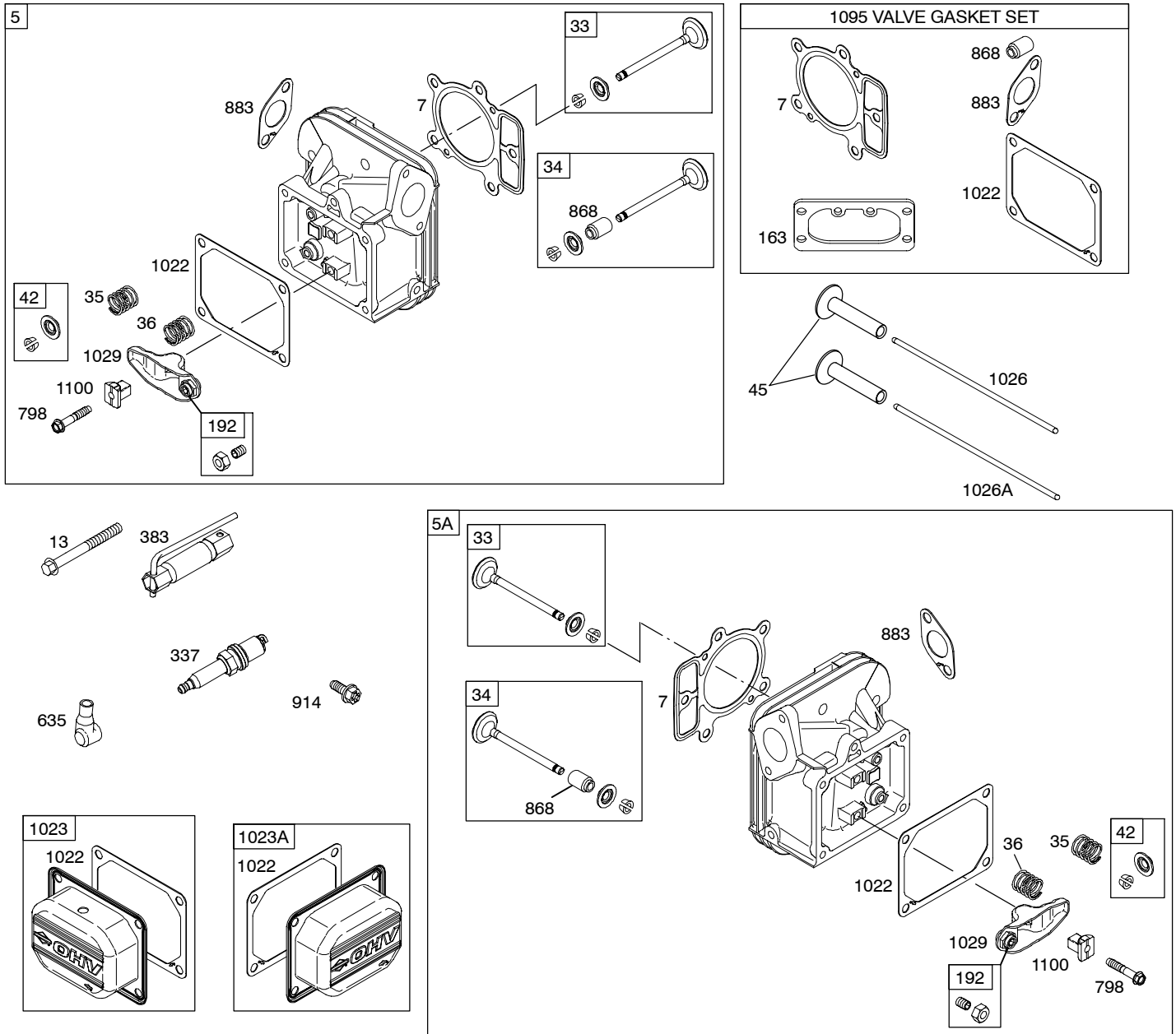


24 

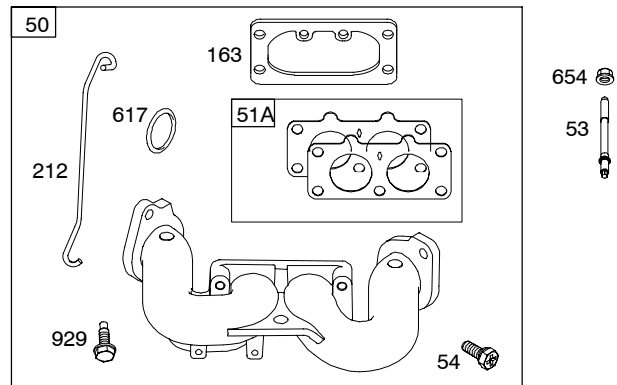
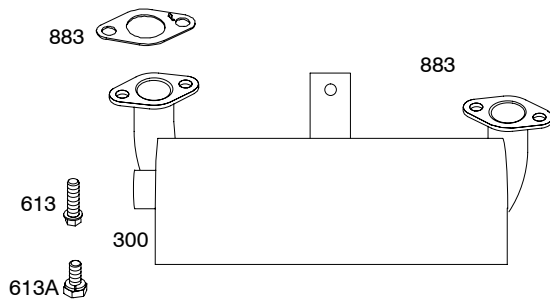
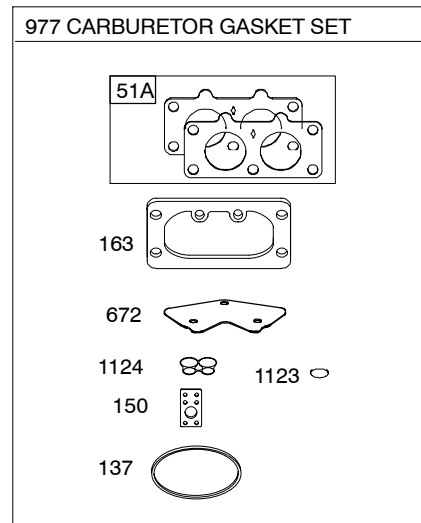
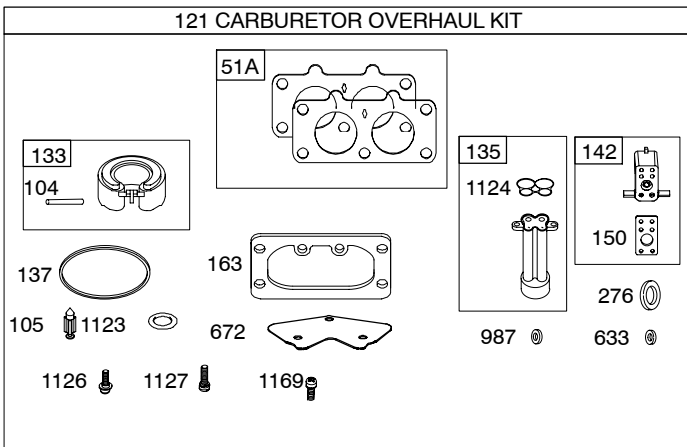
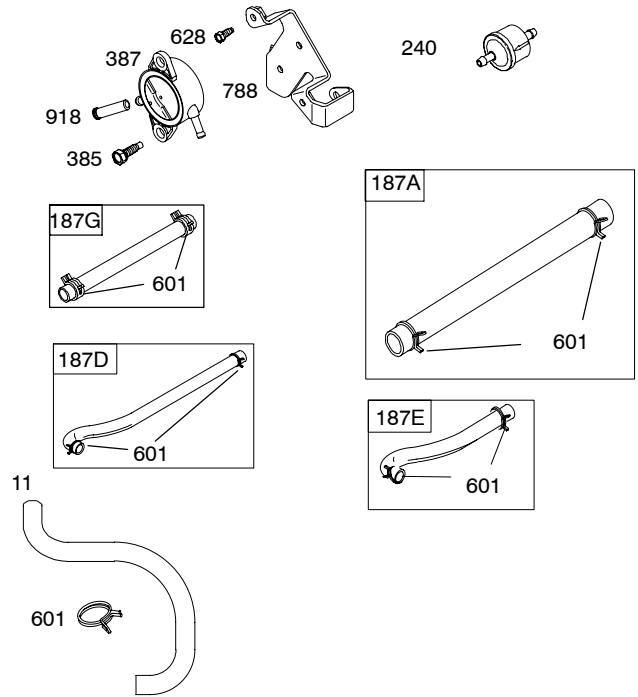
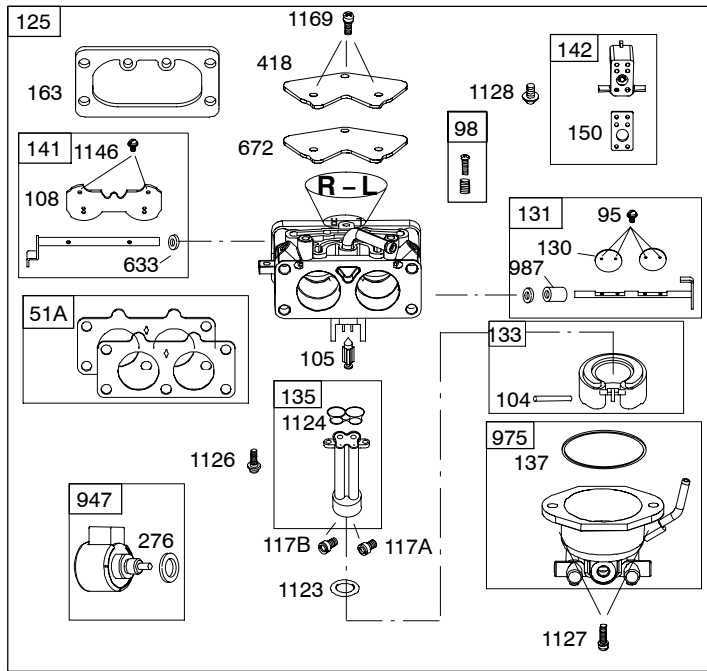


Illustrations cover a range of engines. Parts shown without corresponding text may not be used on your specific engine.
 3561-3 Assemblies include all parts shown in frames. 03/01/2006

44H700

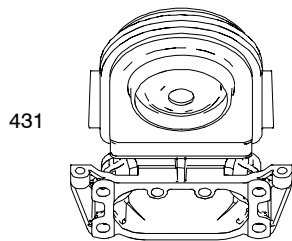
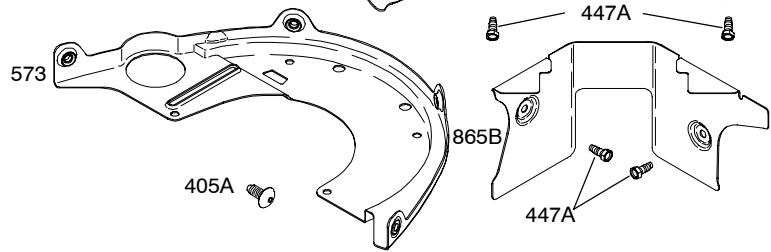
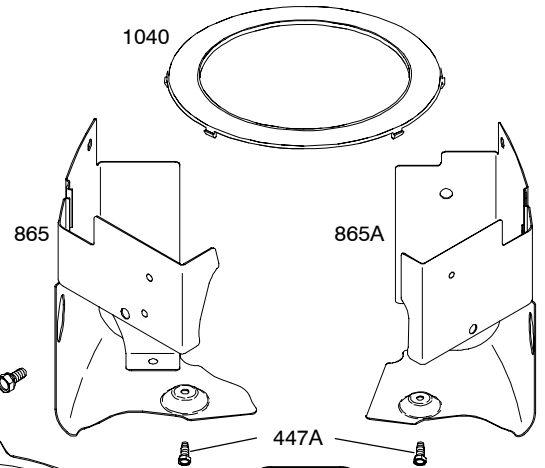
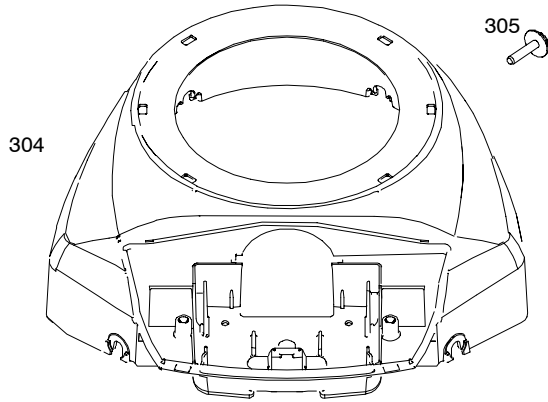
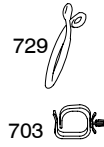
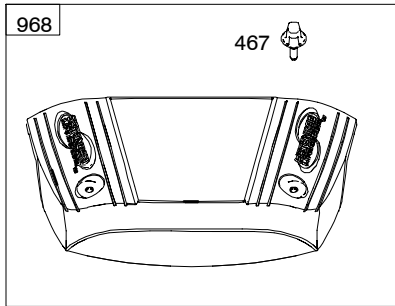


Illustrations cover a range of engines. Parts shown without corresponding text may not be used on your specific engine.

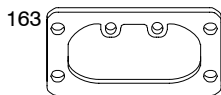
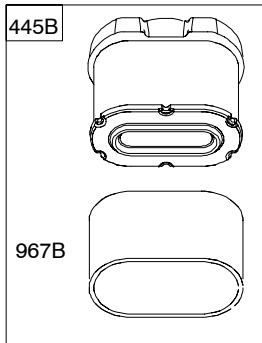


Illustrations cover a range of engines. Parts shown without corresponding text may not be used on your specific engine.

44H700

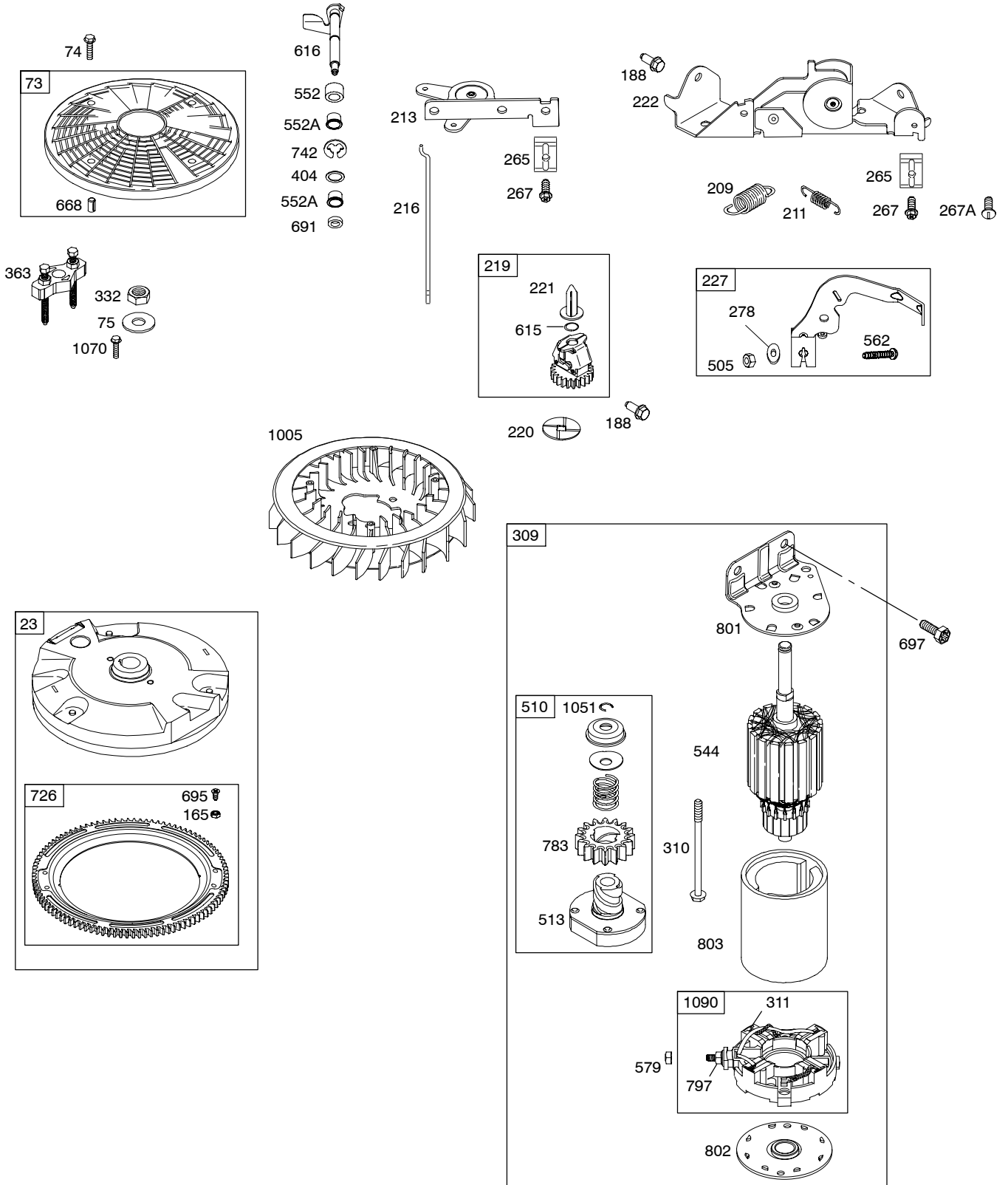


1036 EMISSIONS LABEL

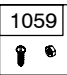
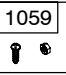





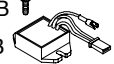


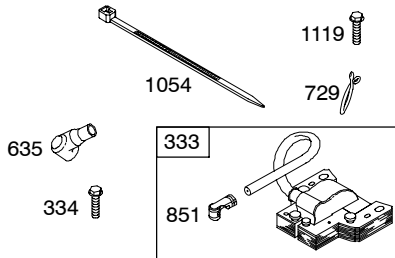
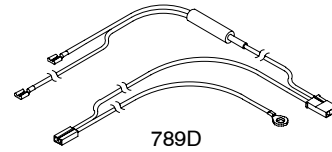
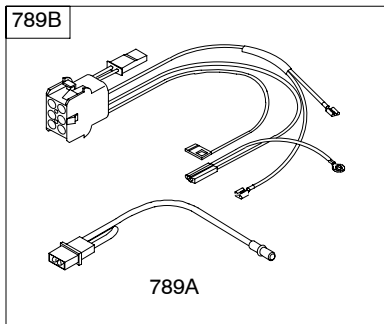
Illustrations cover a range of engines. Parts shown without corresponding text may not be used on your specific engine.
3561-6 Assemblies include all parts shown in frames.

03/01/2006



Illustrations cover a range of engines. Parts shown without corresponding text may not be used on your specific engine.

DUAL CIRCUIT		10 - 16 AMP	
474C	1059 	474B	1059 
877C 		877B 	
878C 		578A 	
<p>NOTE: All stators use a No. 1119 mounting screw. </p> <p>NOTE: The proper flywheel part number and/or the alternator magnet size will determine the alternator type or output. See repair instruction manual for additional information.</p>		<p>526B 501B </p>	



Illustrations cover a range of engines. Parts shown without corresponding text may not be used on your specific engine.

44H700

REF. NO.	PART NO.	DESCRIPTION	REF. NO.	PART NO.	DESCRIPTION	REF. NO.	PART NO.	DESCRIPTION
1	699753	Cylinder Assembly	27	690975	Lock-Piston Pin	125	792295	Carburetor
2	499585	Kit-Bushing/Seal (Magneto Side)	28	690229	Pin-Piston (Standard)	130	690993	Valve-Throttle
3	★391086s	Seal-Oil (Magneto Side)	29	699699	Rod-Connecting (Standard)	131	499805	Kit-Throttle Shaft
4	699747	Sump-Engine	32	690976	Screw (Connecting Rod)	133	◆699724	Float-Carburetor
5	792299	Head-Cylinder (Cylinder 1)	33	697576	Valve-Exhaust	135	◆699729	Tube-Fuel Transfer
5A	792300	Head-Cylinder (Cylinder 2)	34	792200	Valve-Intake	137	◆690994	Gasket-Float Bowl
7	★△693997	Gasket-Cylinder Head	35	694865	Spring-Valve (Intake)	141	699722	Kit-Choke Shaft
8	792185	Breather Assembly	36	694865	Spring-Valve (Exhaust)	142	◆699726	Nozzle-Carburetor
9	★690937	Gasket-Breather	42	499586	Keeper-Valve	146	690979	Key-Timing
10	691108	Screw (Breather Assembly)	45	690977	Tappet-Valve	150	◆690995	Gasket-Nozzle
11	792184	Tube-Breather	46	790562	Camshaft	163	◆★△691001	Gasket-Air Cleaner
12	★697227	Gasket-Crankcase	50	695241	Manifold-Intake	165	693148	Nut (Ring Gear)
13	791130	Screw (Cylinder Head)	51A	◆★△791677	Gasket-Intake	187A	791766	Line-Fuel (Length 15")(Cut to Required Length)
15	690946	Plug-Oil Drain	53	690951	Stud (Carburetor)	187D	791744	Line-Fuel (Molded)
16	699700	Crankshaft	54	699816	Screw	187E	791801	Line-Fuel (Molded)
20	★791892	Seal-Oil (PTO Side)	73	494439	Screen-Rotating	187G	791745	Line-Fuel (Length 23")(Cut to Required Length)
22	694966	Screw (Crankcase Cover/Sump)	74	698425	Screw (Rotating Screen)	188	691108	Screw (Control Bracket)
23	691053	Flywheel ----- Note ----- 691054 Flywheel Used on Type No(s). 0100.	75	691056	Washer (Flywheel)	192	690083	Adjuster-Rocker Arm
24	222698s	Key-Flywheel	95	690718	Screw (Throttle Valve)	209	698071	Spring-Governor ----- Note ----- 697674 Spring- Governor Used on Type No(s). 0116.
25	792023	Piston Assembly (Standard) ----- Note ----- 792072 Piston Assembly (.020" Oversize)	98	699721	Kit-Idle Speed	211	691019	Spring-Governed Idle
26	792026	Ring Set (Standard) ----- Note ----- 792073 Ring Set (.020" Oversize)	104	◆694918	Pin-Float Hinge	212	695238	Link-Throttle
			105	◆698537	Valve-Float Needle	213	691021	Bracket-Choke Control
			108	699723	Valve-Choke	216	691022	Link-Choke
			117A	842081	Jet-Main (Standard) (Left) (Nikki)	219	698231	Gear-Governor
			117B	791502	Jet-Main (Standard) (Right) (Nikki)	220	690412	Washer (Governor Gear)
			121	792455	Kit-Carburetor Overhaul	221	841026	Cup-Governor
						222	698761	Bracket-Control
						227	792492	Lever-Governor Control

★ Included in Engine Gasket Set-Ref. No.358.

● Included in Carburetor Overhaul Kit-Ref. No. 121.

◆ Included in Carburetor Gasket Set-Ref. No. 977.

△ Included in Valve Gasket Set-Ref. No 1095.

Illustrations cover a range of engines. Parts shown without corresponding text may not be used on your specific engine.

44H700

REF. NO.	PART NO.	DESCRIPTION	REF. NO.	PART NO.	DESCRIPTION	REF. NO.	PART NO.	DESCRIPTION
239	792028	Switch–Oil Pressure	385	691108	Screw (Fuel Pump)	562	690311	Bolt (Governor Control Lever)
240	695666	Filter–Fuel	387	808656	Pump–Fuel	573	790444	Plate–Back
250	690957	Retainer–Breather	404	690442	Washer (Governor Crank)	578A	691208	Wire Assembly
252	690956	Collector–Oil	405A	697820	Screw (Back Plate) (Mounting)	579	691029	Nut (Starter Cable)
265	691024	Clamp–Casing	415	690283	Plug (Engine Sump)	601	691038	Clamp–Hose
267	691044	Screw (Casing Clamp) Used on Type No(s). 0117, 0118, 0121.	418	690999	Plate–Carburetor	613	690341	Screw (Muffler)
267A	695134	Screw (Casing Clamp) Used on Type No(s). 0100, 0114, 0116, 0122.	431	792297	Elbow–Intake	613A	690297	Screw (Muffler)
276	★695410	Washer–Sealing	445B	792105	Filter–Air Cleaner Cartridge	615	698290	Retainer–Governor Shaft
278	792651	Washer (Governor Control Lever)	447	691003	Screw (Air Guide Cover)	616	691045	Crank–Governor
287	691108	Screw (Dipstick Tube)	447A	691108	Screw (Air Guide Cover)	617	697891	Seal–O Ring (Intake Manifold)
300	696226	Muffler	467	790697	Knob–Air Cleaner (1" Long)	628	691108	Screw (Fuel Pump Bracket)
304	792301	Housing–Blower (Black)	474B	696458	Alternator (10–16 Amp Circuit)	633	●690998	Seal–Choke/Throttle Shaft
305	691005	Screw (Blower Housing) (21/32" Long)	474C	696459	Alternator (Dual Circuit)	635	66538s	Boot–Spark Plug
305B	790690	Screw (Blower Housing to Intake Elbow) (11/16" Long)	501B	691185	Regulator	654	690958	Nut (Carburetor)
309	499521	Motor–Starter	505	691029	Nut (Governor Control Lever)	668	△691500	Spacer
310	691263	Screw (Starter Motor)	510	696541	Drive–Starter	672	●690234	Gasket–Carburetor Plate
311	497608	Brush Set	513	692024	Clutch–Drive	691	★790574	Seal–Governor Shaft
332	691059	Nut (Flywheel)	523	691036	Dipstick	695	693149	Screw (Ring Gear)
333	691060	Armature–Magneto	524	★691032	Seal–Dipstick Tube	697	690372	Screw (Drive Cap)
334	691061	Screw (Magneto Armature)	525	691037	Tube–Dipstick	703	691010	Clip
337	491055s	Plug–Spark	526B	691108	Screw (Regulator)	718	690959	Pin–Locating
358A	694012	Gasket Set–Engine	544		Armature–Starter (Serviced By 499521 Starter Only)	726	499612	Gear–Ring
363	19203	Puller–Flywheel	552	690552	Bushing–Governor Crank	729	694123	Clip–Wire
383	19374s	Wrench–Spark Plug	552A	690553	Bushing–Governor Crank	741	690980	Gear–Timing
						742	690328	Retainer–E Ring
						750	696999	Screw (Oil Pump Cover)
						783	695708	Gear–Pinion
						788	691039	Bracket–Fuel Pump

★ Included in Engine Gasket Set–Ref. No.358.

● Included in Carburetor Overhaul Kit–Ref. No. 121.

◆ Included in Carburetor Gasket Set–Ref. No. 977.

△ Included in Valve Gasket Set–Ref. No 1095.

Illustrations cover a range of engines. Parts shown without corresponding text may not be used on your specific engine.

44H700

REF. NO.	PART NO.	DESCRIPTION	REF. NO.	PART NO.	DESCRIPTION	REF. NO.	PART NO.	DESCRIPTION
789A	790544	Harness-Wiring	918	694000	Hose-Vacuum	1040	791237	Plate-Trim
789B	698330	Harness-Wiring	929	695239	Screw	1051	691265	Ring-Retaining
789D	691220	Harness-Wiring			(Choke Control Bracket)	1054	280275	Tie-Cable
797	693167	Nut (Brush Retainer)	943	★690589	Seal-O Ring (Oil Pump Cover)	1058	276245	Operator's Manual (Emission)
798	697890	Screw (Rocker Arm)	947	841546	Solenoid-Fuel	1059	698516	Kit-Screw/Washer
801	691283	Cap-Drive	965	499613	Cover-Oil Pump	1070	691058	Screw (Flywheel Fan)
802	691286	Cap-End	967B	792303	Filter-Pre Cleaner	1090	691293	Retainer-Brush
803		Housing-Starter (Serviced By 499521 Starter Only)	968	792289	Cover-Air Cleaner	1095	694013	Gasket Set-Valve
842	★691031	Seal-O Ring (Dipstick Tube)	975	791232	Bowl-Float	1100	791959	Pivot-Rocker Arm
847	499602	Dipstick/Tube Assembly	977	792456	Gasket Set-Carburetor	1119	691183	Screw (Alternator)
851	493880s	Terminal-Spark Plug	987	●691000	Seal-Throttle Shaft	1123	●●841653	Seal-O Ring (Solenoid Retainer)
865	691012	Cover-Air Guide (Cylinder 1)	1005	791236	Fan-Flywheel	1124	●●690988	Seal-O Ring (Fuel Transfer Tube)
865A	691014	Cover-Air Guide (Cylinder 2)	1013	690954	Nipple-Oil Filter	1126	●690991	Screw (Fuel Transfer Tube)
865B	792286	Cover-Air Guide (Valley)	1017	690770	Screen-Oil Pump	1127	●695407	Screw (Float Bowl)
868	★690968	Seal-Valve	1022	★Δ690971	Gasket-Rocker Cover	1128	690990	Screw (Carburetor Nozzle)
877B	399916	Wire/Connector- Alternator	1023	499599	Cover-Rocker (Cylinder 1)	1146	690718	Screw (Choke Shaft)
877C	393456	Wire/Connector- Alternator	1023A	499600	Cover-Rocker (Cylinder 2)	1169	●690990	Screw (Carburetor Cover Plate)
878C	398661	Harness-Alternator	1024	499054	Pump-Oil	1330	273521	Repair Manual
883	★Δ690970	Gasket-Exhaust	1026	690981	Rod-Push (Steel)			
914	691127	Screw (Rocker Cover)	1026A	690982	Rod-Push (Aluminum)			
			1027	696854	Filter-Oil			
			1029	690972	Arm-Rocker			
			1035	691042	Shaft-Pump			
			1036		Label-Emissions (Available from an authorized Briggs and Stratton Service Dealer)			

★ Included in Engine Gasket Set-Ref. No.358.

● Included in Carburetor Overhaul Kit-Ref. No. 121.

◆ Included in Carburetor Gasket Set-Ref. No. 977.

Δ Included in Valve Gasket Set-Ref. No 1095.

Illustrations cover a range of engines. Parts shown without corresponding text may not be used on your specific engine.