

**31M700**

# Illustrated Parts List

## Model Series

# 31M700

TYPE NUMBERS  
0101 THROUGH 0237

### TABLE OF CONTENTS

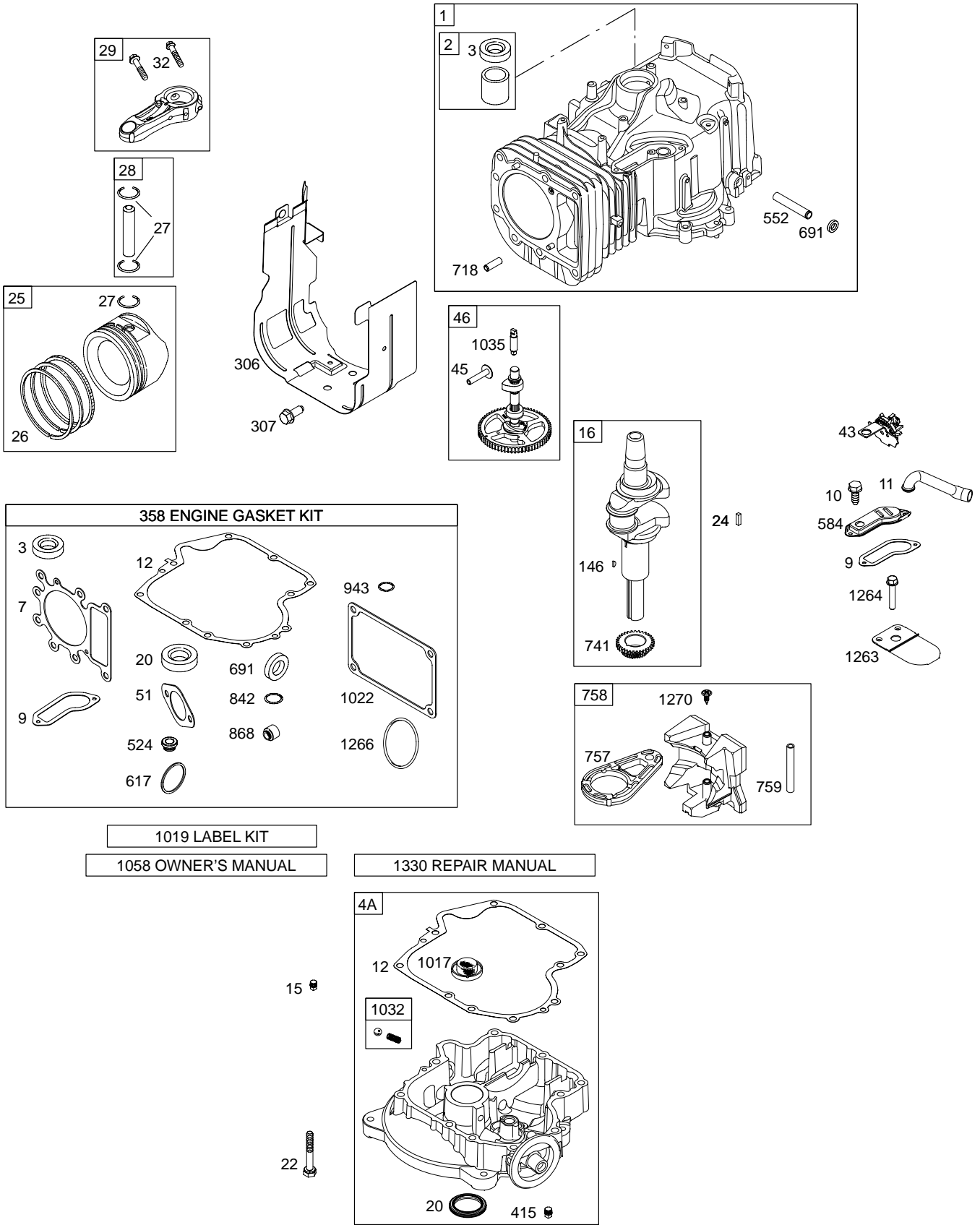
Air Cleaner .....	5
Alternator .....	7
Blower Housing .....	5
Camshaft .....	2
Carburetor .....	4
Controls .....	7
Crankshaft .....	2
Cylinder .....	2
Cylinder Head .....	3
Electric Starter .....	7
Engine Sump .....	2
Flywheel .....	6
Fuel Supply .....	4
Gasket Set – Engine .....	2
Gasket Set – Valve .....	3
Governor Spring .....	7
Ignition .....	7
Kit – Carburetor Overhaul .....	4
Lubrication .....	3
Piston, Rings, Connecting Rod .....	2
Valves .....	3



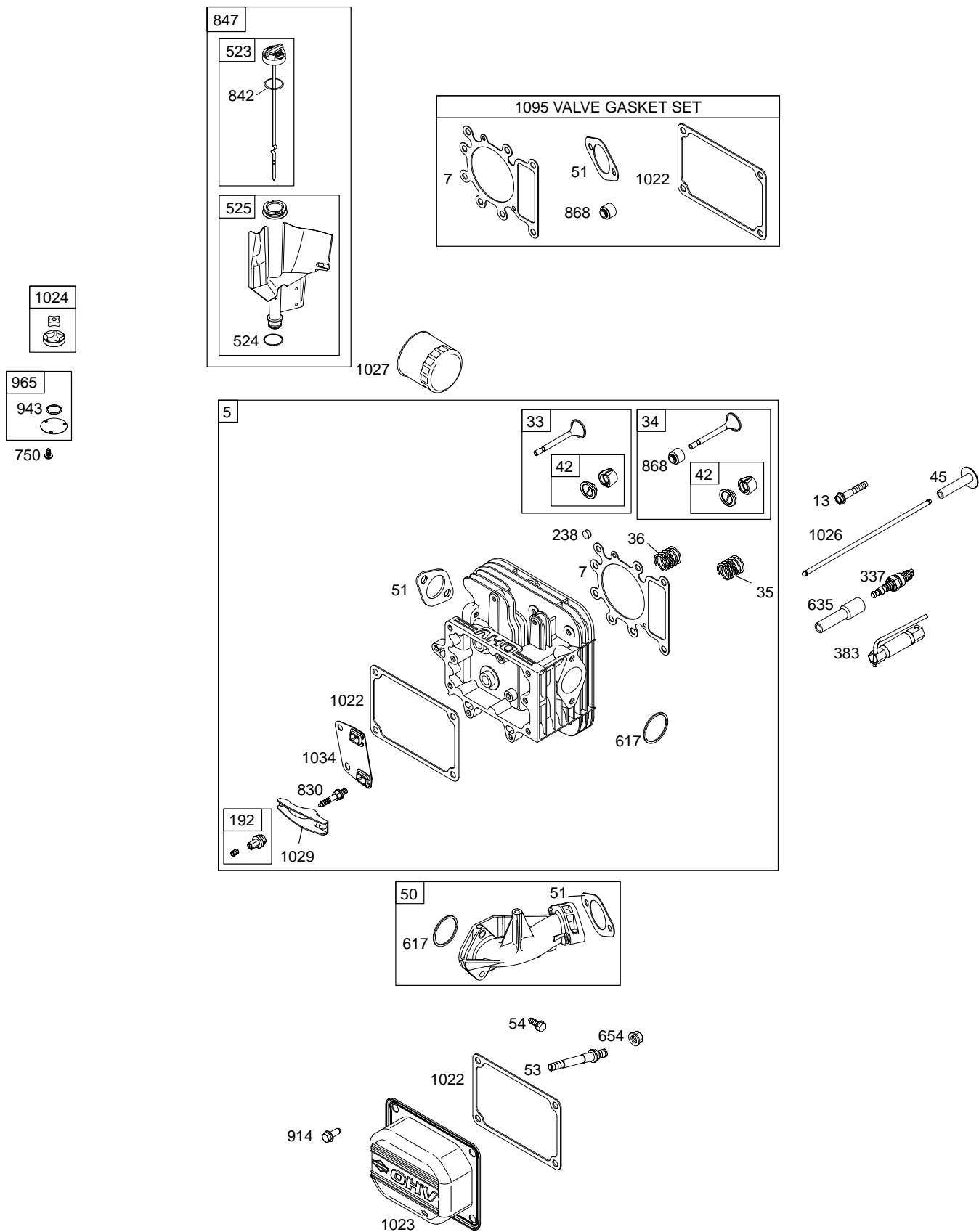
PRINTED IN U.S.A.

COPYRIGHT by BRIGGS & STRATTON CORPORATION  
All rights reserved. No part of this material may be reproduced or transmitted, in any form or by any means, electronic or mechanical, including photocopying, recording or by any information storage and retrieval system, without permission in writing from Briggs & Stratton Corporation.

# 31M700

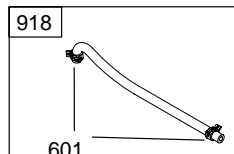
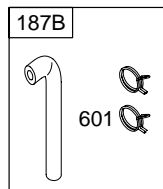
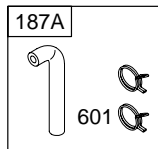
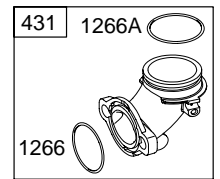
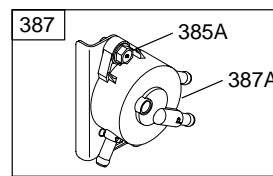
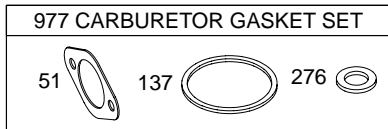
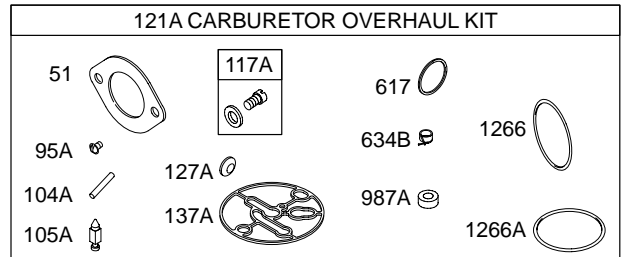
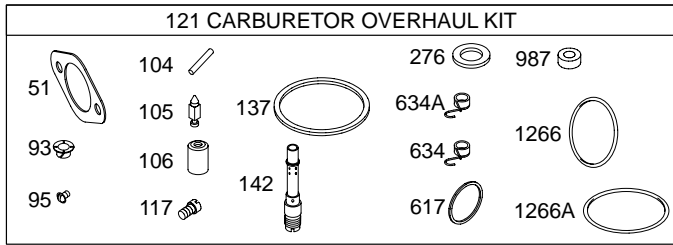
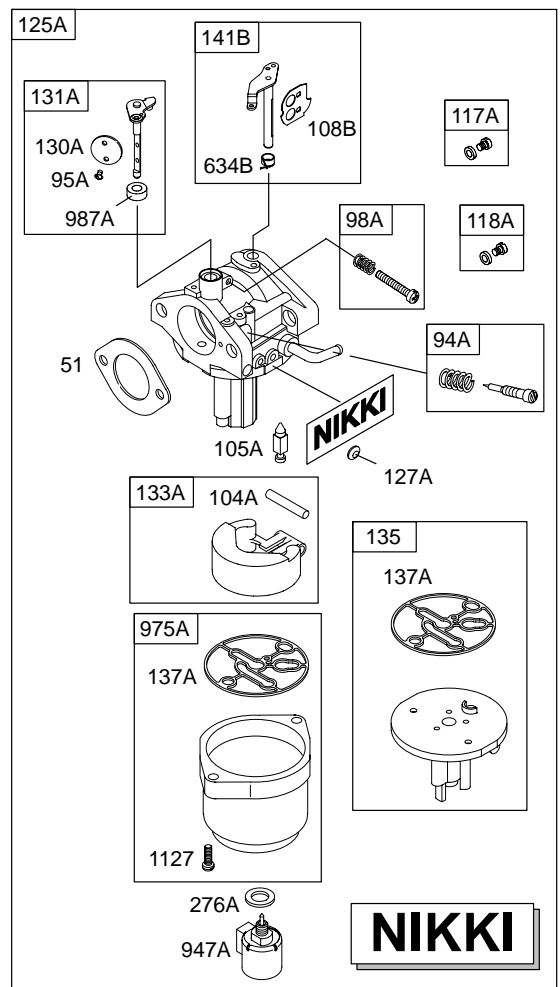
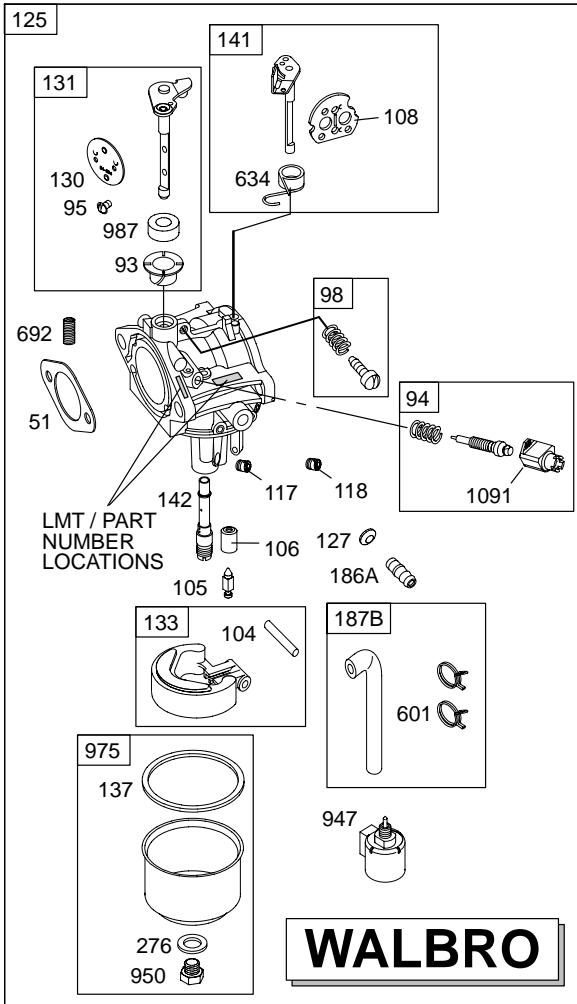
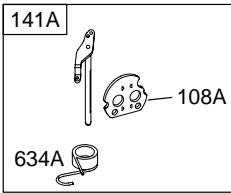


Illustrations cover a range of engines. Parts shown without corresponding text may not be used on your specific engine. 5643-2 Assemblies include all parts shown in frames. 09/21/2004

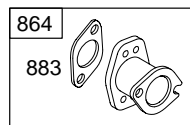
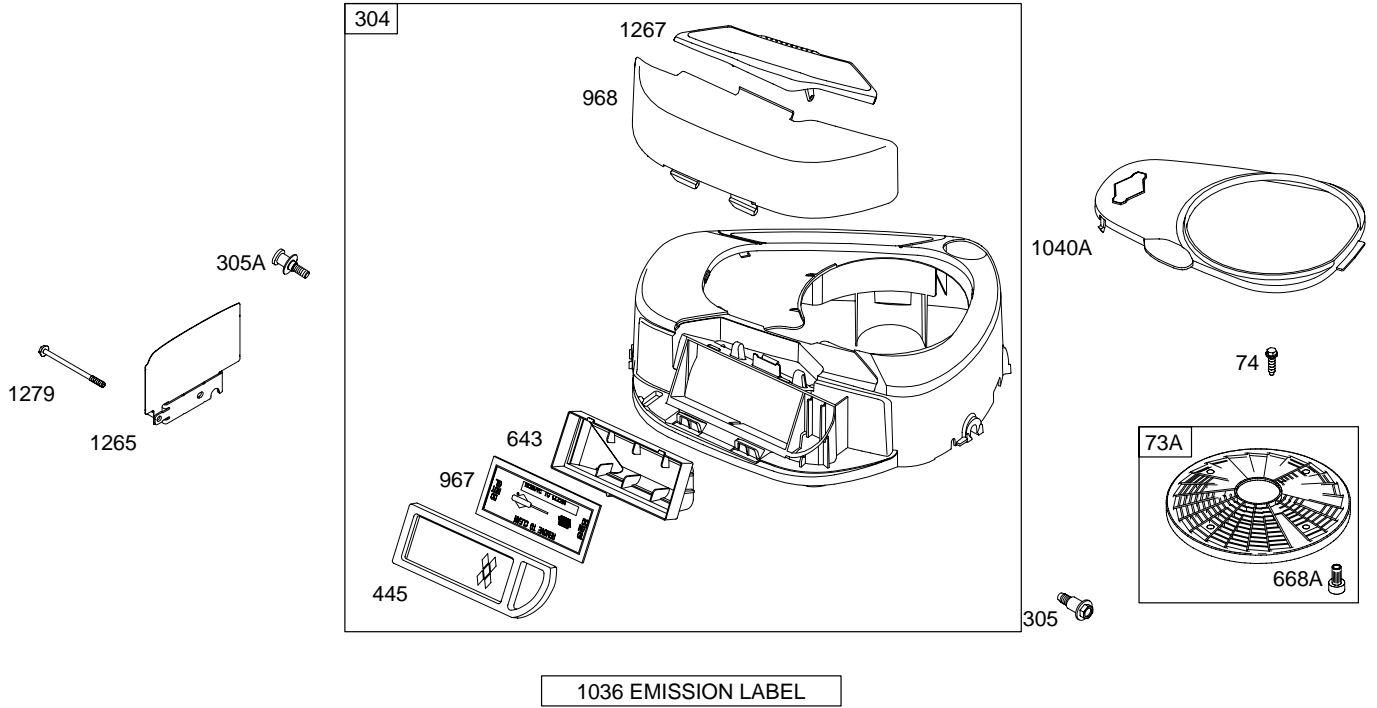


Illustrations cover a range of engines. Parts shown without corresponding text may not be used on your specific engine.  
 5643-3 Assemblies include all parts shown in frames. 09/21/2004

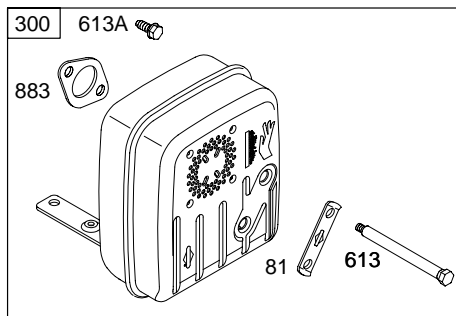
# 31M700

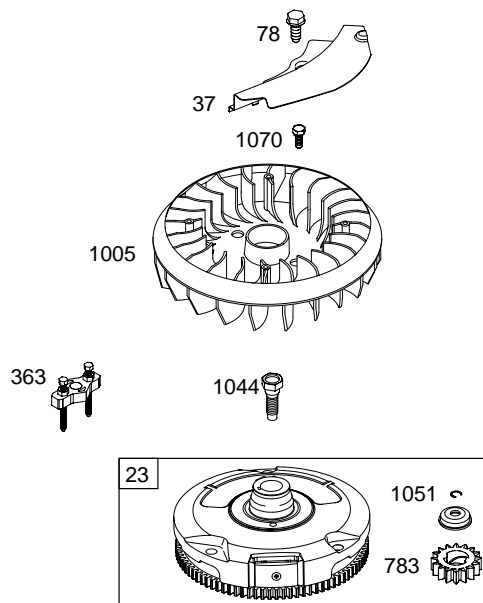






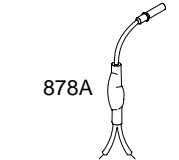
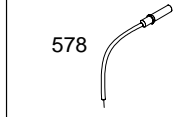
Illustrations cover a range of engines. Parts shown without corresponding text may not be used on your specific engine.




823



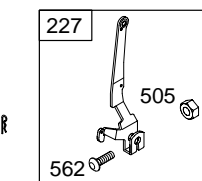
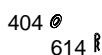
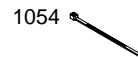
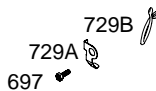
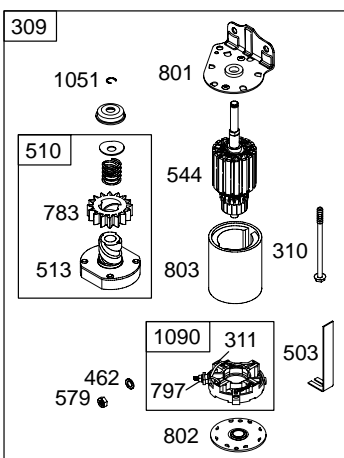
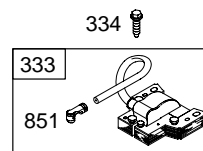
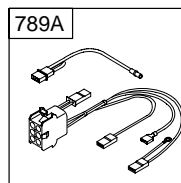
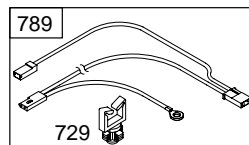


DUAL CIRCUIT		TRI CIRCUIT		10 AMP	
474A	1059	474B	1059	474C	1059
					
					



**NOTE:** All stators use a No. 1119 mounting screw. 

**NOTE:** The proper flywheel part number and/or the alternator magnet size will determine the alternator type or output. See repair instruction manual for additional information.



Illustrations cover a range of engines. Parts shown without corresponding text may not be used on your specific engine.  
 5643-7 Assemblies include all parts shown in frames. 09/21/2004

# 31M700

REF. NO.	PART NO.	DESCRIPTION	REF. NO.	PART NO.	DESCRIPTION	REF. NO.	PART NO.	DESCRIPTION
1	697174	Cylinder Assembly	26	699051	Ring Set (Standard)	98	495800	Kit-Idle Speed
2	399265	Kit-Bushing/Seal (Magneto Side)			<b>Note</b>	98A	695408	Kit-Idle Speed
3	★391086	Seal-Oil (Magneto Side)			697558	104	●690525	Pin-Float Hinge
4A	697188	Sump-Engine			(.010" Oversize)	104A	●694918	Pin-Float Hinge
5	698404	Head-Cylinder			697559	105	●231855	Valve-Float Needle
7	★△699168	Gasket-Cylinder Head			(.020" Oversize)	105A	●696136	Valve-Float Needle
9	★697109	Gasket-Breather			697560	106	●690577	Seat-Inlet (Gravity Feed)
10	697157	Screw (Breather Assembly)			(.030" Oversize)			<b>Note</b>
11	697113	Tube-Breather	27	698469	Lock-Piston Pin			●691780
12	★697110	Gasket-Crankcase (.015" Thick)(Standard)	28	697099	Pin-Piston	108	690464	Valve-Choke (697204)
13	690360	Screw (Cylinder Head)			<b>Note</b>	108A	692344	Valve-Choke (697202, 697203)
15	690946	Plug-Oil Drain (Square Head)			697264	108B	695419	Valve-Choke
		<b>Note</b>			Rod-Connecting (.020" Undersize)	117	●694352	Jet-Main (Standard)
		691680	32	692852	Screw (Connecting Rod)	117A	●699457	Jet-Main (Standard)
		Plug-Oil Drain (Square Socket) Used on Type No(s). 0215.	33	698370	Valve-Exhaust	118	697228	Jet-Main (High Altitude)
16	697516	Crankshaft	34	695761	Valve-Intake	118A	699458	Jet-Main (High Altitude)
20	★690947	Seal-Oil (PTO Side)	35	691279	Spring-Valve (Intake)	121	697241	Kit-Carburetor Overhaul (Walbro)
22	692125	Screw (Crankcase Cover/Sump)	36	691279	Spring-Valve (Exhaust)	121A	699521	Kit-Carburetor Overhaul (Nikki Carburetor)
23	693557	Flywheel Used on Type No(s). 0215, 0234.	37	697108	Guard-Flywheel	125	698445	Carburetor (697204)(Gravity Feed)(Use to replace pump and gravity feed carburetors) Used on Type No(s). 0101, 0111, 0167, 0215, 0237.
		<b>Note</b>	38	699586	Keeper-Valve			
		693556	42	499586	Keeper-Valve			
		Flywheel Used on Type No(s). 0101, 0111, 0167, 0237.	43	691968	Slinger-Governor/Oil			
24	222698	Key-Flywheel	45	690564	Tappet-Valve			
25	699052	Piston Assembly (Standard)	46	698492	Camshaft			
		<b>Note</b>	50	690193	Manifold-Intake			
		699053	51★△●	692137	Gasket-Intake			
		Piston Assembly (.010" Oversize)	53	690227	Stud (Carburetor)			
		699054	54	691148	Screw (Intake Manifold)			
		Piston Assembly (.020" Oversize)	73A	494439	Screen-Rotating			
		699055	74	691674	Screw (Rotating Screen)			
		Piston Assembly (.030" Oversize)	78	691003	Screw (Flywheel Guard)	125A	790418	Carburetor (Nikki)(Gravity Feed) Used on Type No(s). 0234.
			81	691178	Lock-Muffler Screw			
			93	●690602	Bushing-Throttle Shaft			
			94	498030	Kit-Idle Mixture			
			94A	695425	Kit-Idle Mixture			
			95	●691636	Screw (Throttle Valve)			
			95A	●690718	Screw (Throttle Valve)			

★ Included in Engine Gasket Set-Ref. No.358.

● Included in Carburetor Overhaul Kit-Ref. No. 121 or 121A.

◆ Included in Carburetor Gasket Set-Ref. No. 977.

△ Included in Valve Gasket Set-Ref. No 1095.

**Illustrations cover a range of engines. Parts shown without corresponding text may not be used on your specific engine.**



# 31M700

REF. NO.	PART NO.	DESCRIPTION	REF. NO.	PART NO.	DESCRIPTION	REF. NO.	PART NO.	DESCRIPTION
127	695005	Plug–Welch	265	691024	Clamp–Casing	358	697191	Gasket Set–Engine
127A	●690727	Plug–Welch	267	695134	Screw	363	19203	Puller–Flywheel
130	691750	Valve–Throttle			(Casing Clamp)	383	89838	Wrench–Spark Plug
130A	699500	Valve–Throttle			<b>Note</b>	385	694476	Screw
131	494379	Kit–Throttle Shaft			690804 Screw			(Fuel Pump)
131A	699501	Kit–Throttle Shaft			(Casing Clamp)			Used on Type No(s).
133	494381	Float–Carburetor			Used on Type No(s).			0111, 0167.
133A	694914	Float–Carburetor			268 691025 Casing–Control Wire	385A	690297	Screw
135	698780	Tube–Fuel Transfer			(Cut To Required Length)			(Fuel Pump)
137	◆281165	Gasket–Float Bowl			269 691026 Wire–Control			Used on Type No(s).
137A	●698781	Gasket–Float Bowl			(Cut To Required Length)			0111, 0167.
141	495097	Kit–Choke Shaft			(Cut To Required Length)	387	697090	Pump–Fuel
		(697204)			270 691027 Nut			Used on Type No(s).
141A	495931	Kit–Choke Shaft			(Control Wire Casing)			0111, 0167.
		(697202, 697203)			271 691028 Lever–Control	387A	808656	Pump–Fuel
141B	698778	Kit–Choke Shaft			276 ◆692255 Washer–Sealing			Used on Type No(s).
142	●697140	Nozzle–Carburetor			276A ◆695410 Washer–Sealing			0111, 0167.
		(Standard)			300 697349 Muffler	404	691691	Washer
146	691639	Key–Timing			Used on Type No(s).			(Governor Crank)
186A	698174	Connector–Hose			0111.	415	690283	Plug
		(Straight)			304 698420 Housing–Blower			(Engine Sump)
187A	697098	Line–Fuel			(Black)	431	697122	Elbow–Intake
		(Formed)(3–1/2 Inches Long)(Cut To Required Length)			305 697102 Screw	445	697153	Filter–Air Cleaner
					(Blower Housing)			Cartridge
187B	698417	Line–Fuel			305A 697103 Screw			(Washable)
		(Formed)(10–1/4 Inches Long)(Cut to Required Length)			(Blower Housing)	462	691261	Washer
					306 697107 Shield–Cylinder			(Starter Cable)
188	691693	Screw			307 691003 Screw	474A	696459	Alternator
		(Control Bracket)			(Cylinder Shield)			(Dual Circuit)
192	691986	Adjuster–Rocker Arm			309 693551 Motor–Starter			Used on Type No(s).
202	691841	Link–Mechanical Governor			310 690323 Screw			0215, 0234.
					(Starter Motor)	474B	696457	Alternator
209	692208	Spring–Governor			311 497608 Brush Set			(Tri Circuit)
216	691840	Link–Choke			333 492341 Armature–Magneto			Used on Type No(s).
222	694042	Bracket–Control			334 691061 Screw			0101, 0237.
227	691374	Lever–Governor Control			(Magneto Armature)	474C	696458	Alternator
					337 491055 Plug–Spark			(10 Amp Circuit)
232	691842	Spring–Governor Link			Used on Type No(s).			Used on Type No(s).
238	691843	Cap–Valve			0101, 0215, 0234.			0111, 0167.
240	394358	Filter–Fuel			<b>Note</b>	480	693675	Screw
		(White, 75 Microns)			691043 Plug–Spark			(Tube Clamp)
		Used on Type No(s).			Used on Type No(s).	501	691188	Regulator
		0101, 0215, 0234, 0237.			0167, 0237.			Used on Type No(s).
240B	695666	Filter–Fuel			344 693675 Screw			0101, 0237.
		(Includes 30 Micron Paper Element)			(Cable Clamp)			<b>Note</b>
		Used on Type No(s).			356 697089 Wire–Stop			691185 Regulator
		0111, 0167.			Used on Type No(s).			Used on Type No(s).
					0101, 0111, 0167, 0237.			0111, 0167.

★ Included in Engine Gasket Set–Ref. No.358.

● Included in Carburetor Overhaul Kit–Ref. No. 121 or 121A.

◆ Included in Carburetor Gasket Set–Ref. No. 977.

△ Included in Valve Gasket Set–Ref. No 1095.

**Illustrations cover a range of engines. Parts shown without corresponding text may not be used on your specific engine.**

5643–9

Assemblies include all parts shown in frames.

09/21/2004

# 31M700

REF. NO.	PART NO.	DESCRIPTION	REF. NO.	PART NO.	DESCRIPTION	REF. NO.	PART NO.	DESCRIPTION
503	691532	Strap–Starter	634A	●690802	Spring/Seal Assembly (697202, 697203)	847	790442	Dipstick/Tube Assembly
505	691251	Nut (Governor Control Lever)	634B	●698779	Spring/Seal Assembly			Used on Type No(s). 0101, 0215, 0234, 0237.
510	693699	Drive–Starter	635	691909	Boot–Spark Plug			
513	692024	Clutch–Drive	643	698401	Retainer–Air Filter			
521	690581	Shield–Cable	654	690958	Nut (Carburetor)			<b>Note</b>
523	699908	Dipstick	668A	691500	Spacer (Rotating Screen)			<b>790443</b> Dipstick/Tube Assembly
524	★691032	Seal–Dipstick Tube	691	★692407	Seal–Governor Shaft			Used on Type No(s). 0111, 0167.
525	697184	Tube–Dipstick Used on Type No(s). 0101, 0215, 0234, 0237.	692	690572	Spring–Detent	851	692424	Terminal–Spark Plug
		<b>Note</b>	697	690372	Screw (Drive Cap)	864	697346	Adapter–Muffler Used on Type No(s). 0111.
		<b>697085</b> Tube–Dipstick Used on Type No(s). 0111, 0167.	718	690959	Pin–Locating	868	★△690968	Seal–Valve
526	697088	Screw (Regulator) Used on Type No(s). 0101, 0237.	729	691335	Clip–Wire (Wire Saddle)	877	393456	Wire/Connector–Alternator
		<b>Note</b>	729A	691224	Clip–Wire (Aluminum Coated Steel)	877B	393537	Wire/Connector–Alternator (Tri Circuit)
		<b>697348</b> Screw (Regulator) Used on Type No(s). 0111, 0167.	729B	694123	Clip–Wire (Nylon)	877C	399916	Wire/Connector–Alternator (10 Amp Circuit)
527	698467	Clamp–Tube	741	697128	Gear–Timing	878	691237	Harness–Alternator (Dual Circuit)
544	692034	Armature–Starter	750	691033	Screw (Oil Pump Cover)	878A	691955	Harness–Alternator (Tri Circuit)
552	697144	Bushing–Governor Crank	757	697607	Link–Counterweight	883	692236	Gasket–Exhaust
559	697561	Screw (Remote Choke Stop) Used on Type No(s). 0111, 0237.	758	697134	Counterweight	914	691108	Screw (Rocker Cover)
562	691119	Bolt (Governor Control Lever)	759	697392	Pin–Counterweight	918	697091	Hose–Vacuum Used on Type No(s). 0111, 0167.
578	692306	Wire Assembly	783	693713	Gear–Pinion	943	★690589	Seal–O Ring (Oil Pump Cover)
579	691029	Nut (Starter Cable)	789	692037	Harness–Wiring Used on Type No(s). 0101, 0111, 0167.			
584	697112	Cover–Breather Passage	789A	698329	Harness–Wiring Used on Type No(s). 0215, 0234, 0237.			
601	95162	Clamp–Hose	797	693167	Nut (Brush Retainer)			
613	691416	Screw (Muffler)	801	691283	Cap–Drive			
613A	690297	Screw (Muffler)	802	691286	Cap–End			
614	691620	Pin–Cotter	803	693757	Housing–Starter			
616	692012	Crank–Governor	823	698941	Screw (Muffler Adapter)(Muffler Adapter) Used on Type No(s). 0111.			
617	★●692138	Seal–O Ring (Intake Manifold)	830	691095	Stud–Rocker Arm			
634	●690801	Spring/Seal Assembly (697204)	842	★691031	Seal–O Ring (Dipstick Tube)			

★ Included in Engine Gasket Set–Ref. No.358.

● Included in Carburetor Overhaul Kit–Ref. No. 121 or 121A.

◆ Included in Carburetor Gasket Set–Ref. No. 977.

△ Included in Valve Gasket Set–Ref. No 1095.

**Illustrations cover a range of engines. Parts shown without corresponding text may not be used on your specific engine.**

# 31M700

REF. NO.	PART NO.	DESCRIPTION	REF. NO.	PART NO.	DESCRIPTION	REF. NO.	PART NO.	DESCRIPTION
947	694393	Solenoid-Fuel	1027	696854	Filter-Oil	1090	691293	Retainer-Brush
947A	695423	Solenoid-Fuel	1029	691751	Arm-Rocker	1091	691333	Cap-Limiter
950	691657	Screw-Float Bowl	1032	491710	Ball-Oil Pump	1095	690190	Gasket Set-Valve
965	499613	Cover-Oil Pump	1034	690822	Guide-Push Rod	1119	691183	Screw (Alternator)
967	697015	Filter-Pre Cleaner	1035	693784	Shaft-Pump	1127	695407	Screw (Float Bowl)
968	697574	Cover-Air Cleaner	1036	790464	Label-Emissions (Used After Code Date 04063000)	1263	697124	Reed-Breather
975	495933	Bowl-Float				1264	697104	Screw (Breather Reed)
975A	699502	Bowl-Float				1265	697125	Support-Blower Housing
977	690192	Gasket Set-Carburetor				1266	★●691917	Seal-O Ring (Intake Elbow)
987	●691326	Seal-Throttle Shaft				1266A	●697123	Seal-O Ring (Intake Elbow)
987A	●698777	Seal-Throttle Shaft				1267	697575	Latch-Blower Housing
1005	697111	Fan-Flywheel				1270	697156	Plug-AVS Counterweight
1017	690770	Screen-Oil Pump (Push In)				1279	691108	Screw (Blower Housing Support)
1019	697595	Kit-Label	1040A	698470	Plate-Trim	1330	272147	Repair Manual
1022	★Δ272475	Gasket-Rocker Cover	1044	698139	Screw (Flywheel)			
1023	692492	Cover-Rocker						
1024	499054	Pump-Oil	1051	691265	Ring-Retaining			
1026	692003	Rod-Push (Intake)	1054	280275	Tie-Cable			
		————— <b>Note</b> —————	1058	275935	Operator's Manual			
		692011 Rod-Push (Exhaust)	1059	698516	Kit-Screw/Washer			
			1070	690372	Screw (Flywheel Fan)			

★ Included in Engine Gasket Set-Ref. No.358.

● Included in Carburetor Overhaul Kit-Ref. No. 121 or 121A.

◆ Included in Carburetor Gasket Set-Ref. No. 977.

Δ Included in Valve Gasket Set-Ref. No 1095.

**Illustrations cover a range of engines. Parts shown without corresponding text may not be used on your specific engine.**  
5643-11 Assemblies include all parts shown in frames. 09/21/2004